



## Ultimate Performance, Unlimited Possibilities

Offering advanced Intel processing, compatibility with the latest generation Nvidia graphics cards and an integrated power supply, the MC850 Series is as powerful as it is eye-catching.

[onlogic.com/mc850-series](https://onlogic.com/mc850-series) >

### Integrated Power

Eliminating the need for external adapters or power bricks, the MC850 Series accommodates direct-plug power with an integrated 300W PSU.

### Performance Focused

Designed specifically for computing-intensive applications, the MC850 Series offers a range of Intel processing options including Skylake and Kaby Lake Core i7 CPUs.

### Dedicated Graphics

The MC850 Series supports full height PCIe expansion, including the latest generation of advanced graphics cards, a feature rarely seen in a system with such a small footprint.



#### US Office

Phone: +1 802 861 2300  
Email: [info@onlogic.com](mailto:info@onlogic.com)  
[www.onlogic.com](http://www.onlogic.com)

#### EU Office

Phone: +31 088 5200 700  
Email: [info@onlogic.eu](mailto:info@onlogic.eu)  
[www.onlogic.com](http://www.onlogic.com)

## Industrial GPU Capable Computer

### Specifications

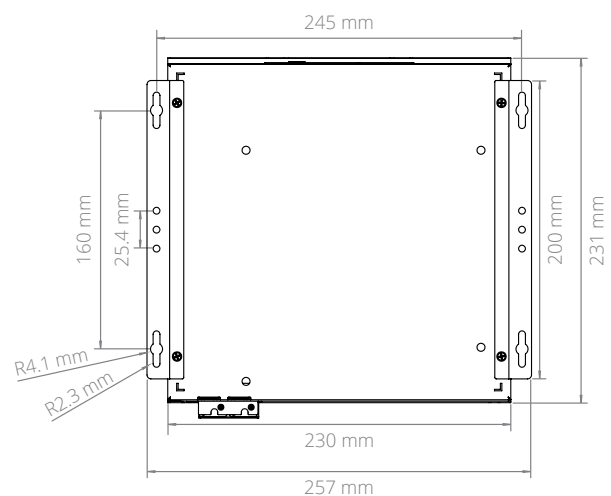
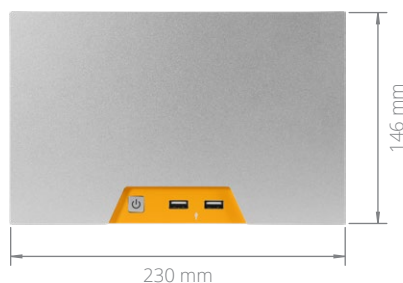
MC850-50

Processor	Intel Celeron Intel Pentium Intel Core i3/i5/i7	Front I/O	2 USB 2.0 ports Power button
Processor Speed	2.3 ~ 3.3 GHz	Expansion Options	1 PCIe x16 slot 1 PCIe Mini Card (full height)
Processor Generation	Kaby Lake Skylake	Storage Options	2.5" HDD/SSD mSATA
Processor Cores	2 ~ 4	LAN Controller	Intel I210 GbE Intel I219LM GbE
Graphics / GPU	NVIDIA GeForce GTX 1060 (optional)* Intel HD Graphics	Input Voltage	100 ~ 240 V AC
Memory	DDR4 SO-DIMM (non-ECC) Up to 32 GB	Power Input	C13 ~ C14 Coupler
Rear I/O	1 HDMI port 1 DisplayPort 1 VGA port 2 Gb LAN ports 4 USB 3.0 ports 2 COM ports (RS-232/422/485) 2 Audio jacks (mic-in, line-out) Additional video I/O available with optional video card	Operating Temp. Range	0 ~ 50°C
		Dimensions (WxHxD)	230 x 146 x 241.5 mm
		Mounting Options	Wall-mount
		Regulatory Information	2011/65/EU (RoHS 2 Directive) CE EN 55022 EN 55024 EN 55032 EN 60950-1 FCC 47 CFR Part 15

\*Can accommodate other GPUs with a maximum length of 180 mm and a maximum height of 112 mm with a recommended TDP of 120W.

### Dimensional Drawings

All measurements in mm



[onlogic.com/mc850-50](http://onlogic.com/mc850-50)



#### US Office

Phone: +1 802 861 2300

Email: [info@onlogic.com](mailto:info@onlogic.com)

[www.onlogic.com](http://www.onlogic.com)

#### EU Office

Phone: +31 088 5200 700

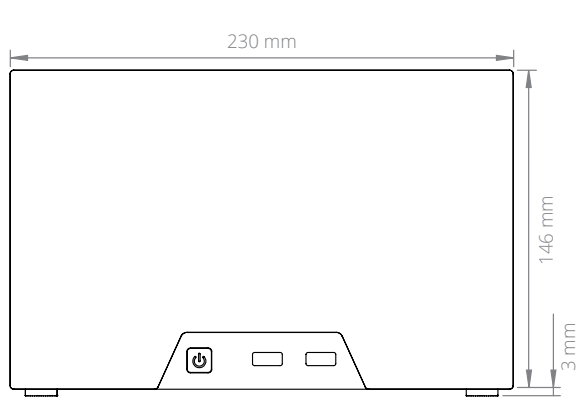
Email: [info@onlogic.eu](mailto:info@onlogic.eu)

[www.onlogic.com](http://www.onlogic.com)

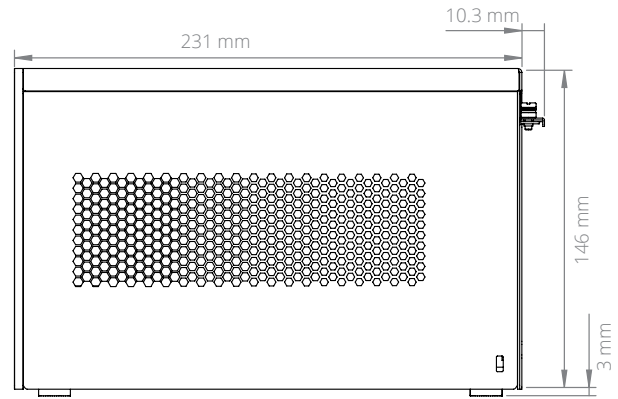
## MC850 Dimensional Drawings

Graphics Card Capable Computer

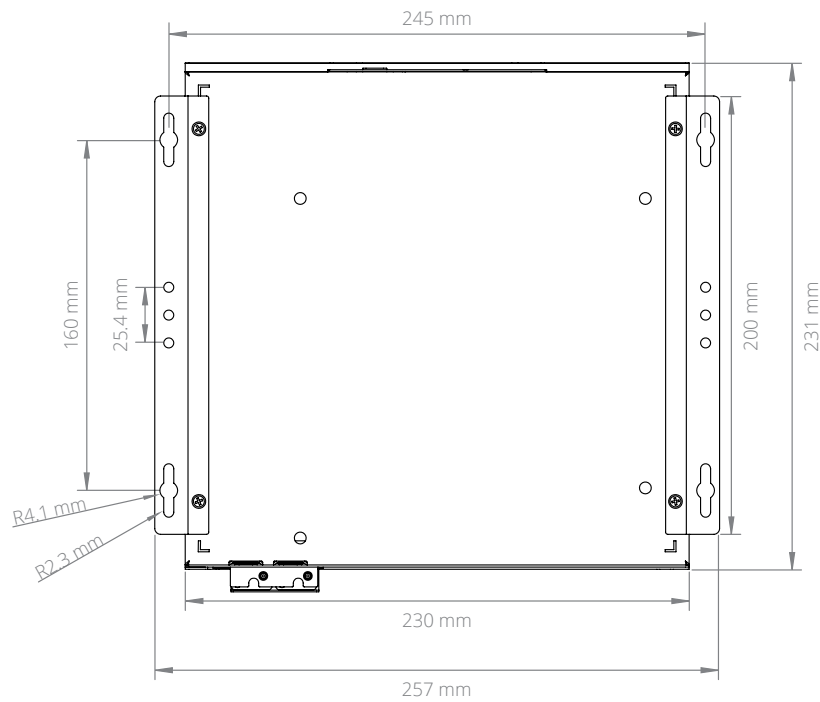
*All measurements in mm*



FRONT



SIDE



BOTTOM

[onlogic.com/mc850-series](https://onlogic.com/mc850-series)



**US Office**

Phone: +1 802 861 2300

Email: [info@onlogic.com](mailto:info@onlogic.com)

[www.onlogic.com](http://www.onlogic.com)

**EU Office**

Phone: +31 088 5200 700

Email: [info@onlogic.eu](mailto:info@onlogic.eu)

[www.onlogic.com](http://www.onlogic.com)