



NUC. Evolved.

The ML100 represents the next generation of small form factor industrial computing, packing Intel processing into our toughest ever NUC enclosure.

onlogic.com/ml100-series



Compact Versatility

The ML100 Series blends high-performance IPC engineering with Intel's NUC form factor, resulting in a computer as versatile as it is compact.

Smart Design, Smart Gateway

Long lifecycle components, high performance cooling, and a forward thinking approach to enclosure architecture make the ML100 the ideal innovation platform.

Multi-screen Capable

Despite its diminutive size, the ML100 Series offers a full range of I/O connectivity, including USB 3.0, Gb LAN, and dual high definition video ports.



US Office

Phone: +1 802 861 2300
Email: info@onlogic.com
www.onlogic.com

EU Office

Phone: +31 088 5200 700
Email: info@onlogic.eu
www.onlogic.com

Industrial Intel® Kabylake Fanless NUC Computer

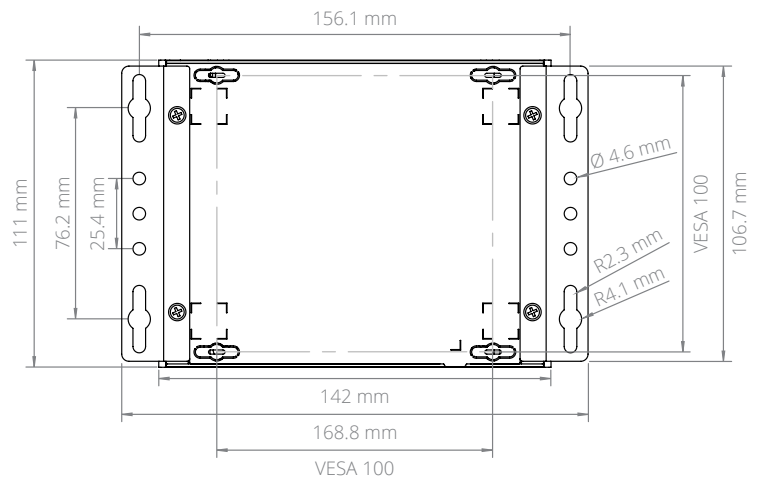
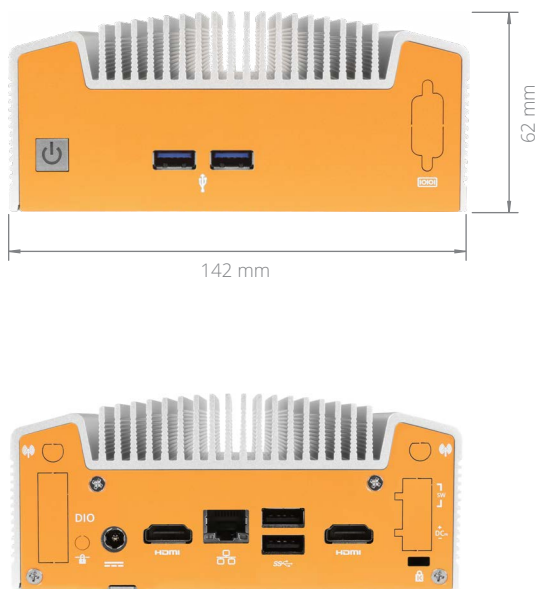
Specifications

ML100G-31

Processor	Intel Core i3/i5/i7	Storage Options	1 M.2 NGFF 22x80 slot
Processor Speed	Configuration Dependent	LAN Controller	Intel I219LM GbE
Processor Generation	Kaby Lake	Input Voltage	19 VDC
Processor Cores	2 - 4	Power Input	DC jack
Graphics / GPU	Intel HD Graphics 620	Operating Temp. Range	0 ~ 35°C
Memory	DDR4 SO-DIMM (non-ECC) Up to 32 GB	Dimensions (WxHxD)	142 x 62 x 111 mm
Rear I/O	2 USB 3.0 ports 2 HDMI ports 1 Gb LAN port 1 DC jack	Mounting Options	DIN-mount VESA-mount Wall-mount
Front I/O	2 USB 3.0 ports 1 RS-232 COM port (optional) 1 Power Button	Regulatory Information	2011/65/EU (RoHS 2 Directive) CE EN 55022 EN 55024 EN 55032 EN 60950-1 FCC 47 CFR Part 15
Expansion Options	1 M.2 slot		

Dimensional Drawings

All measurements in mm



onlogic.com/ml100g-31



US Office

Phone: +1 802 861 2300

Email: info@onlogic.com

www.onlogic.com

EU Office

Phone: +31 088 5200 700

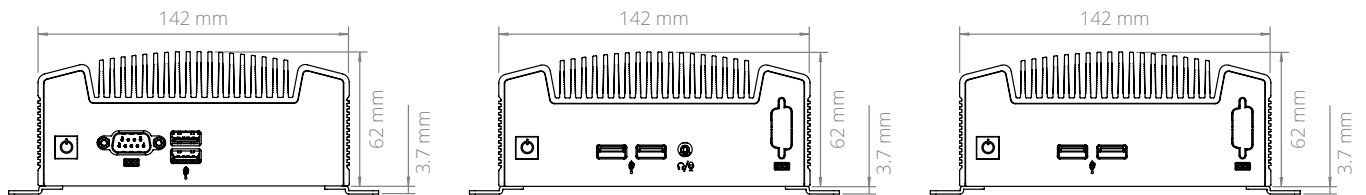
Email: info@onlogic.eu

www.onlogic.com

ML100 Dimensional Drawings

Fanless NUC Computer

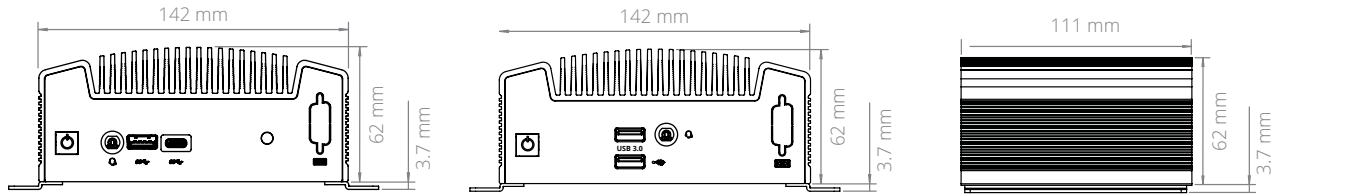
All measurements in mm



ML100G-10 FRONT

ML100G-30 FRONT

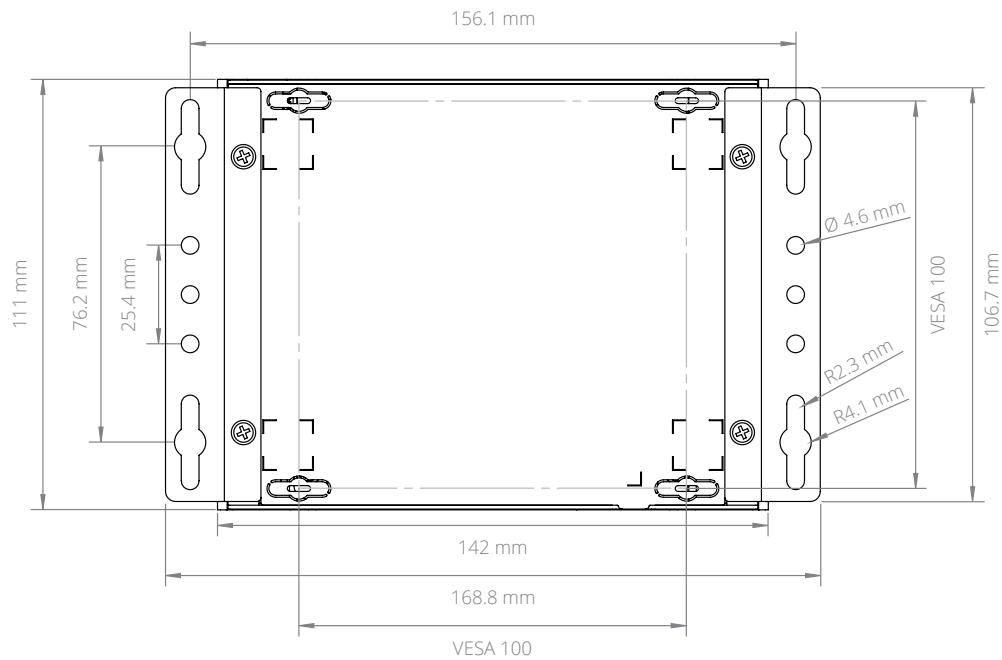
ML100G-31 FRONT



ML100G-50 FRONT

ML100G-51 & 52 FRONT

SIDE



BOTTOM

onlogic.com/ml100-series >

US Office

Phone: +1 802 861 2300

Email: info@onlogic.com

www.onlogic.com

EU Office

Phone: +31 088 5200 700

Email: info@onlogic.eu

www.onlogic.com