

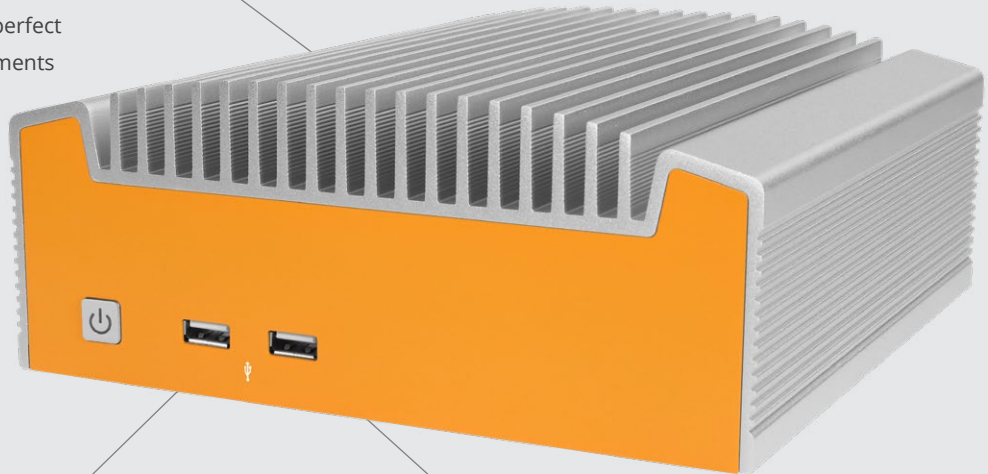
Industrial Mini-ITX.

Hardened, fanless industrial PC that supports Skylake or Kaby Lake processing from Intel Celeron to Core i7 and features long life components.

onlogic.com/ml500-series >

Connectivity Anywhere

Equipped with versatile I/O options, the ML500 Series can easily interface with industry-specific devices, making it perfect for integrating into existing environments or for powering a new project.



Demand Reliability

Combining functional, yet attractive, efficient designs with a fanless and ventless chassis, as well as our proprietary passive cooling solutions, Hardshell™ Fanless Technology increases the life and durability of our industrial computers.

Processing Powerhouse

Flexible configuration options allow the ML500 Series to utilize either Skylake or Kaby Lake Intel processors from Celeron to Core i7 and Xeon.

US Office

Phone: +1 802 861 2300
Email: info@onlogic.com
www.onlogic.com

EU Office

Phone: +31 088 5200 700
Email: info@onlogic.eu
www.onlogic.com

Industrial Intel® Skylake/Kabylake Mini-ITX Computer

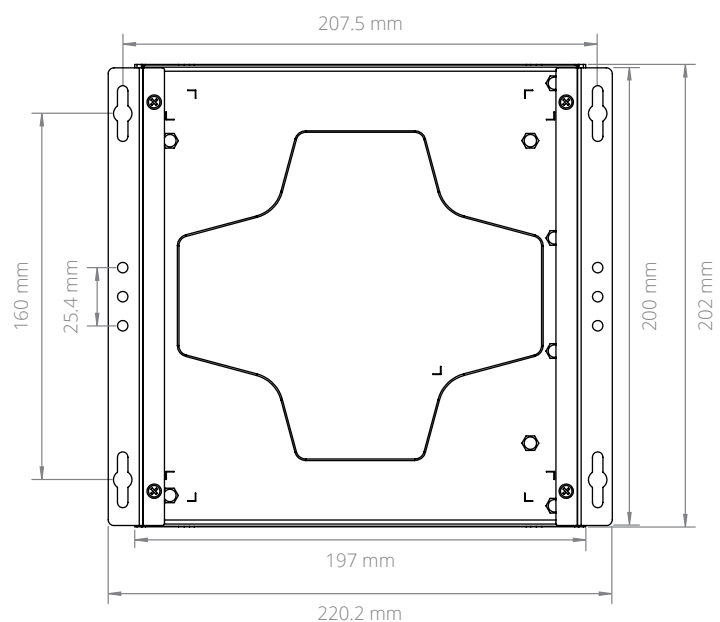
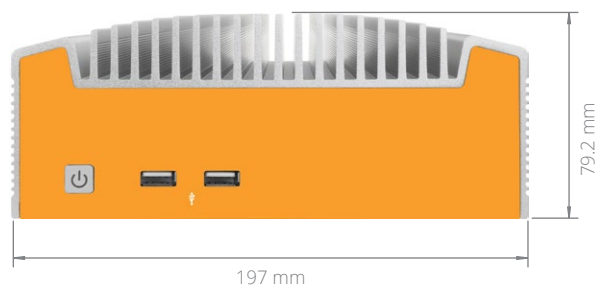
Specifications

ML500G-30

| | | | |
|----------------------|---|-----------------------|----------------------------------|
| Front I/O | 2 USB 2.0 ports Power button | Memory Capacity | Up to 32 GB |
| Rear I/O | 1 HDMI port 1 DisplayPort 2 Gb LAN ports 4 COM ports 4 USB 3.0 ports 2 Audio jacks; line-out, mic-in | Memory Speed | 2133 MHz |
| Processor | Intel Celeron, Pentium, Core i3/i5/i7 | LAN Controller | Intel I210 GbE Intel I219 GbE |
| Processor Speed | 2.3 ~ 3.3 GHz | Input Voltage | 12 V |
| Processor Generation | Kaby Lake, Skylake | Power Input | DC jack |
| Processor Core | 2 ~ 4 | Operating Temp. Range | 0 ~ 50°C |
| Graphics / GPU | Intel HD Graphics | Dimensions (WxHxD) | 197 mm x 79.2 mm x 202 mm |
| Memory Type | DDR4 SO-DIMM (non-ECC) | Case Material | Steel With Aluminum Extrusion |
| | | Mounting Options | DIN-mount Wall-mount |

Dimensional Drawings

All measurements in mm



onlogic.com/ml500g-30 >

US Office

Phone: +1 802 861 2300

Email: info@onlogic.com

www.onlogic.com

EU Office

Phone: +31 088 5200 700

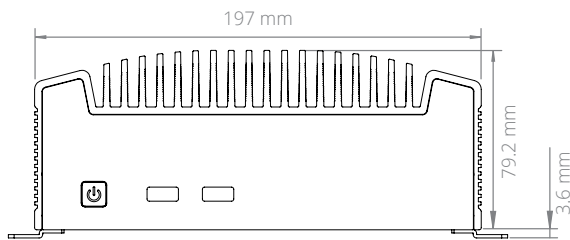
Email: info@onlogic.eu

www.onlogic.com

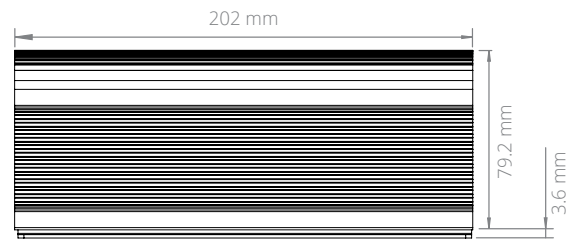
ML500 Dimensional Drawings

Fanless Mini-ITX Case

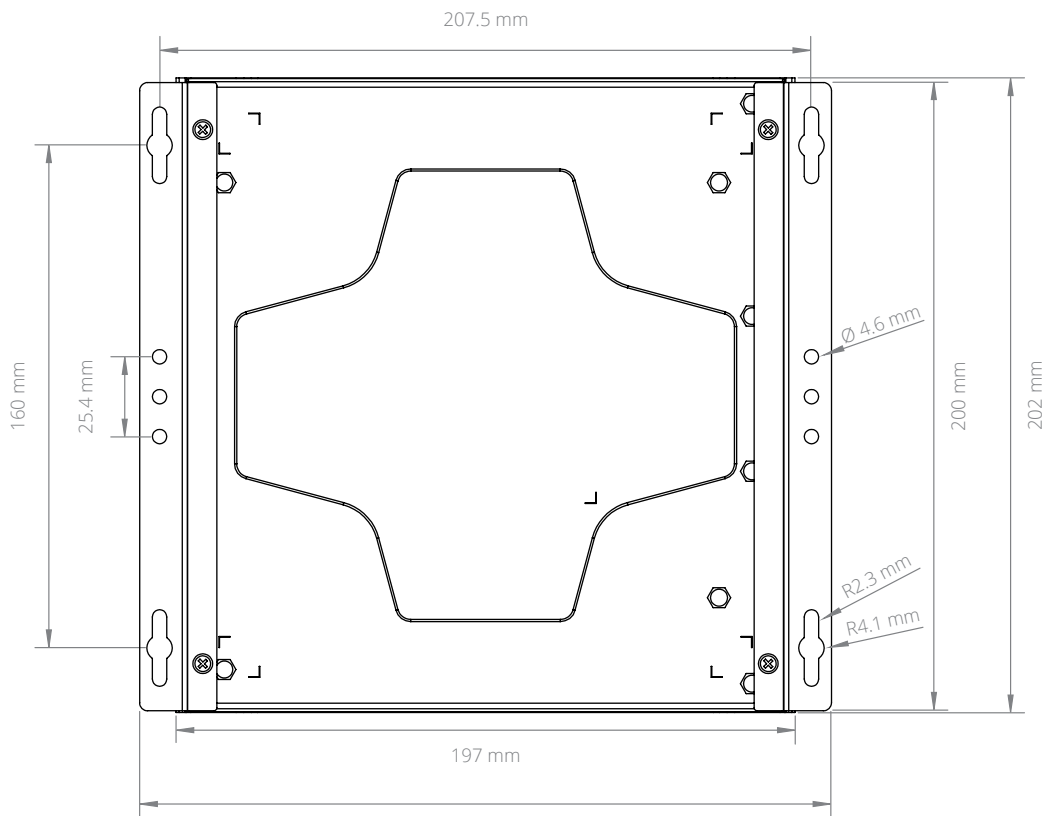
All measurements in mm



FRONT



SIDE



BOTTOM

onlogic.com/ml500-series >

US Office

Phone: +1 802 861 2300
 Email: info@onlogic.com
www.onlogic.com

EU Office

Phone: +31 088 5200 700
 Email: info@onlogic.eu
www.onlogic.com