

# NC100

## A Versatile Mini-ITX PC

Combining the power of Intel® Kaby Lake processing with the latest Dawson Canyon NUC motherboards, the NC100 is a powerful and compact workstation.

[onlogic.com/nc100](https://onlogic.com/nc100)



### Palm-Sized Performance

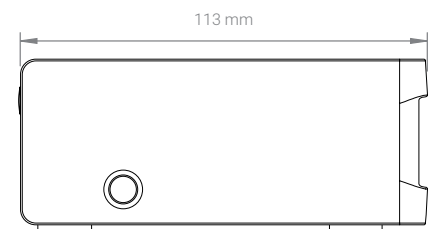
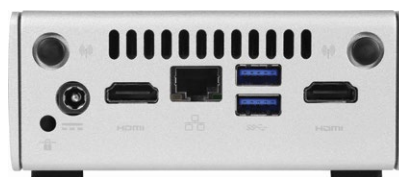
Measuring just 115 x 113 x 46mm, the NC100 brings desktop-level performance without the extra real estate.

### Ultimate Connection

With high-speed LAN and WiFi / Bluetooth the NC100 can be configured to fit your application.

### 4K Display Support

Equipped with Intel®HD 620 Graphics, the NC100 offers native 4K support via two HDMI ports.



#### US Office

Phone: +1 802 861 2300 | Email: [info@onlogic.com](mailto:info@onlogic.com) | [www.onlogic.com](http://www.onlogic.com)

#### EU Office

Phone: +31 088 5200 700 | Email: [info@onlogic.eu](mailto:info@onlogic.eu) | [www.onlogic.com](http://www.onlogic.com)

System	
Processor	Support for Intel 7th Generation Processors i3-7100U i5-7300U i7-8650U
Processor Speed	1.9 ~ 2.6 GHz
Processor Cores	2 ~ 4
Integrated Graphics	Intel HD Graphics 620
Memory	DDR4 SO-DIMM (non-ECC) Up to 32 GB

Rear I/O	
Ethernet	1 Gb LAN port (Intel I219LM)
USB	2 USB 3.0 Ports
Video	2 HDMI ports
Serial	
Power	1 DC Input Jack (19 V)
Other	2 antenna holes (+2 on on the sides)

Front I/O	
USB	2 USB 3.0 ports
Other	1 Power Button

Expansion & Features	
Expansion & Storage	1 M.2 2230 slot 1 M.2 2280 SATA/NVME slot

Mechanical	
Dimensions (WxHxD)	115 mm x 49 mm x 113 mm
Mounting Options	DIN-mount VESA-mount Wall-mount

Environmental & Regulatory	
Operating Temperature	0°C ~ 40°C
Certifications	FCC 47 CFR Part 15 CE RoHS 2 (2011/65/EU) RoHS 3 (2015/863/EU) EN 55022 EN 55024 EN 55032 EN 60950-1

### US Office

Phone: +1 802 861 2300 | Email: info@onlogic.com | www.onlogic.com

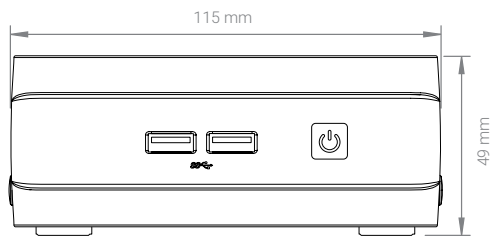
### EU Office

Phone: +31 088 5200 700 | Email: info@onlogic.eu | www.onlogic.com

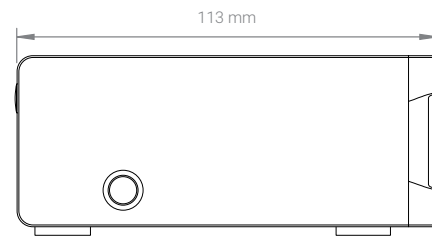
## NC100 Dimensional Drawings

Commercial NUC Computer

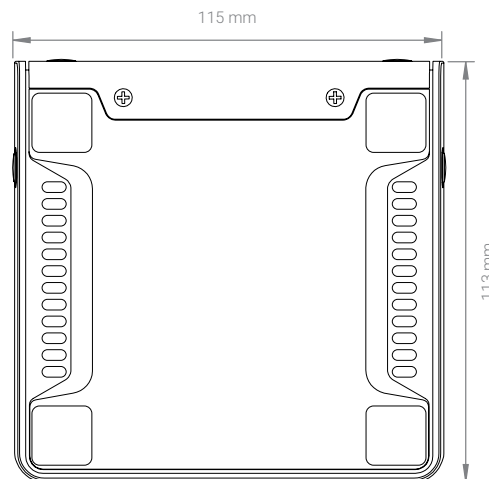
All measurements in mm



FRONT



SIDE



BOTTOM