



# NUC. Evolved.

The ML100 represents the next generation of small form factor industrial computing, packing Intel processing into our toughest ever NUC enclosure.

[logicsupply.com/ml100-series/](http://logicsupply.com/ml100-series/)



## Compact Versatility

The ML100 Series blends high-performance IPC engineering with Intel's NUC form factor, resulting in a computer as versatile as it is compact.

## Smart Design, Smart Gateway

Long lifecycle components, high performance cooling, and a forward thinking approach to enclosure architecture make the ML100 the ideal innovation platform.

## Multi-screen Capable

Despite its diminutive size, the ML100 Series offers a full range of I/O connectivity, including USB 3.0, Gb LAN, and dual high definition video ports.



### US Office

Phone: +1 802 861 2300  
Email: [info@logicsupply.com](mailto:info@logicsupply.com)  
[www.logicsupply.com](http://www.logicsupply.com)

### EU Office

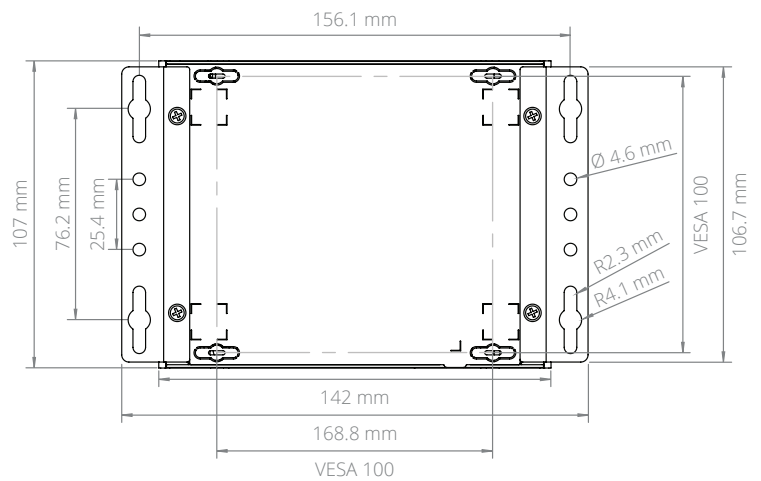
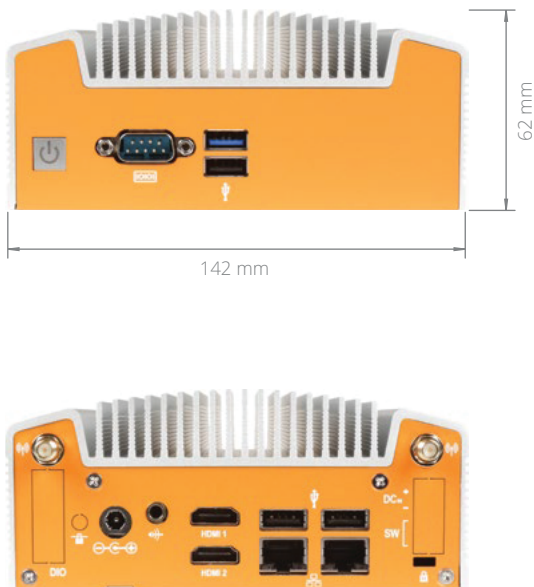
Phone: +31 088 5200 700  
Email: [info@logicsupply.eu](mailto:info@logicsupply.eu)  
[www.logicsupply.com](http://www.logicsupply.com)

## Specifications

Processor	Intel Celeron N2930	Storage Options	mSATA
Processor Speed	1.83 GHz	LAN Controller	Intel 82583V PCIe GbE
Processor Generation	Bay Trail	Input Voltage	9 ~ 24 VDC
Processor Cores	4	Power Input	DC jack
Graphics / GPU	Intel HD Graphics	Operating Temp. Range	0 ~ 40°C
Memory	DDR3L SO-DIMM (non-ECC) Up to 8 GB	Dimensions (WxHxD)	142 x 62 x 107 mm
Rear I/O	2 USB 2.0 ports 2 Gb LAN port 1 Line-out connector 2 HDMI ports 1 DC-jack (Terminal Block Power Optional)	Mounting Options	DIN-mount VESA-mount Wall-mount
Front I/O	1 USB 2.0 port 1 USB 3.0 port 1 RS-232/422/485 COM port Power button	Regulatory Information	2011/65/EU (RoHS 2 Directive) CE EN 55022 EN 55024 EN 55032 EN 60950-1 FCC 47 CFR Part 15
Expansion Options	1 PCIe Mini Card (half-height)		

## Dimensional Drawings

All measurements in mm



[logicsupply.com/ml100g-10/](http://logicsupply.com/ml100g-10/)



### US Office

Phone: +1 802 861 2300  
Email: [info@logicsupply.com](mailto:info@logicsupply.com)  
[www.logicsupply.com](http://www.logicsupply.com)

### EU Office

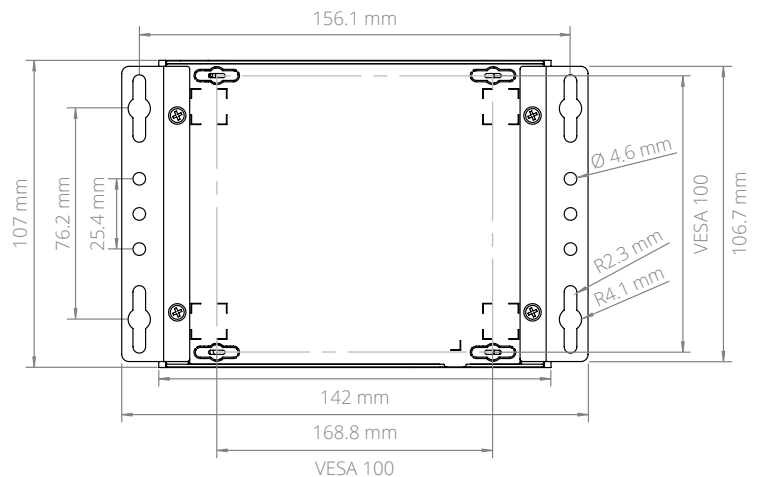
Phone: +31 088 5200 700  
Email: [info@logicsupply.eu](mailto:info@logicsupply.eu)  
[www.logicsupply.com](http://www.logicsupply.com)

## Specifications

Processor	Intel Core i5	Storage Options	1 M.2 NGFF 22x80 slot
Processor Speed	2.3 GHz	LAN Controller	Intel I218LM GbE
Processor Generation	Broadwell	Input Voltage	
Processor Cores	2	Power Input	DC jack
Graphics / GPU	Intel HD Graphics 5500	Operating Temp. Range	0 ~ 50°C
Memory	DDR3L SO-DIMM (non-ECC) Up to 16 GB	Dimensions (WxHxD)	142 x 62 x 107 mm
Rear I/O	2 USB 3.0 ports 1 Gb LAN port (with vPro on i5) 2 Mini-DisplayPorts 1 DC jack	Mounting Options	DIN-mount VESA-mount Wall-mount
Front I/O	2 USB 3.0 ports 1 mic/headphone connector 1 RS-232 COM port (optional) Power button	Regulatory Information	2011/65/EU (RoHS 2 Directive) CB scheme CE EN 55022 EN 55024 EN 55032 EN 60950-1 FCC 47 CFR Part 15 UL Listed configurations available
Expansion Options	1 M.2 slot		

## Dimensional Drawings

All measurements in mm



[logicsupply.com/ml100g-30/](http://logicsupply.com/ml100g-30/)



### US Office

Phone: +1 802 861 2300

Email: [info@logicsupply.com](mailto:info@logicsupply.com)

[www.logicsupply.com](http://www.logicsupply.com)

### EU Office

Phone: +31 088 5200 700

Email: [info@logicsupply.eu](mailto:info@logicsupply.eu)

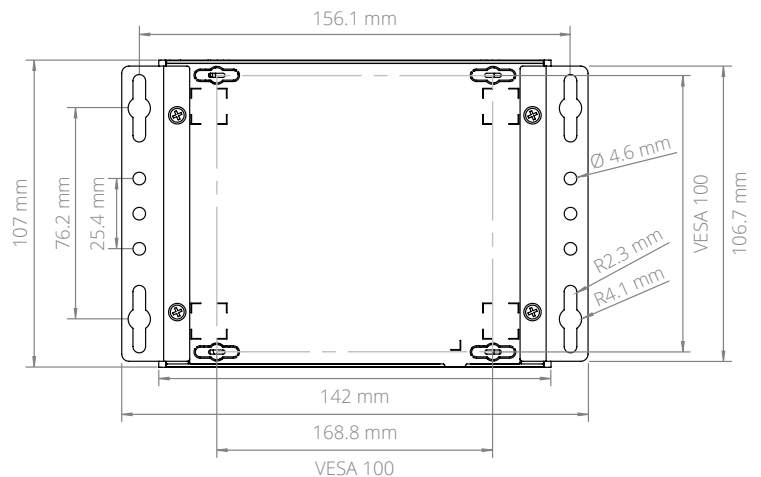
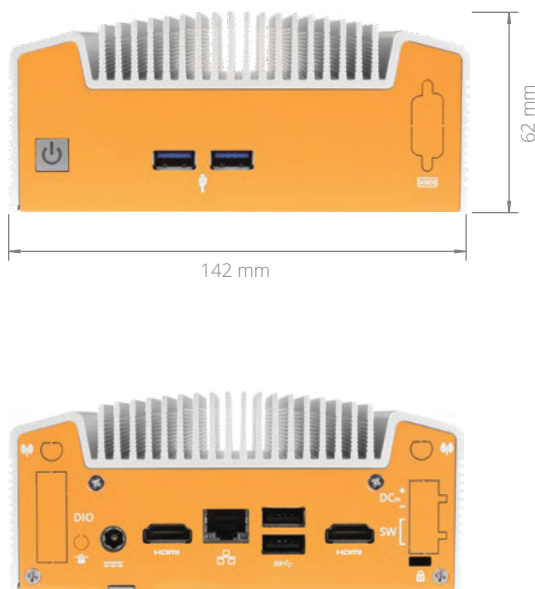
[www.logicsupply.com](http://www.logicsupply.com)

## Specifications

Processor	Intel Core i3/i5/i7	Storage Options	1 M.2 NGFF 22x80 slot
Processor Speed	Configuration Dependent	LAN Controller	Intel I219LM GbE
Processor Generation	Kaby Lake	Input Voltage	12 ~ 24 VDC
Processor Cores	2 - 4	Power Input	DC jack
Graphics / GPU	Intel HD Graphics 620	Operating Temp. Range	0 ~ 35°C
Memory	DDR4 SO-DIMM (non-ECC) Up to 32 GB	Dimensions (WxHxD)	142 x 62 x 107 mm
Rear I/O	2 USB 3.0 ports 2 HDMI ports 1 Gb LAN port 1 DC jack	Mounting Options	DIN-mount VESA-mount Wall-mount
Front I/O	2 USB 3.0 ports 1 RS-232 COM port (optional) 1 Power Button	Regulatory Information	2011/65/EU (RoHS 2 Directive) CE EN 55022 EN 55024 EN 55032 EN 60950-1 FCC 47 CFR Part 15
Expansion Options	1 M.2 slot		

## Dimensional Drawings

All measurements in mm



[logicsupply.com/ml100g-31/](http://logicsupply.com/ml100g-31/)



### US Office

Phone: +1 802 861 2300  
Email: [info@logicsupply.com](mailto:info@logicsupply.com)  
[www.logicsupply.com](http://www.logicsupply.com)

### EU Office

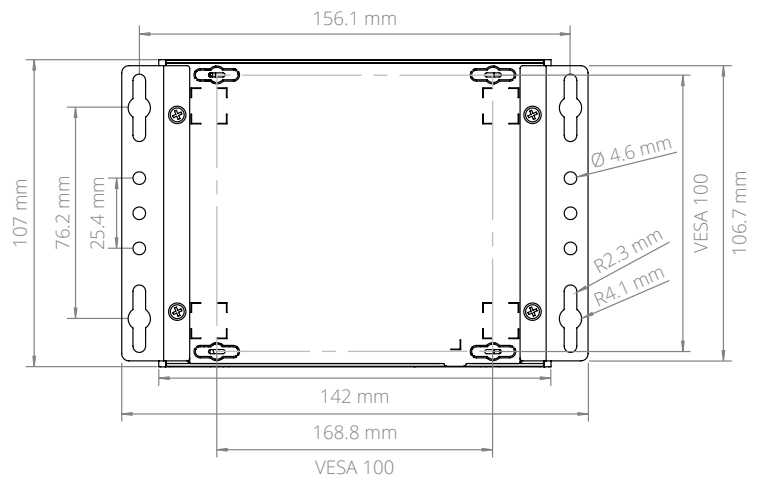
Phone: +31 088 5200 700  
Email: [info@logicsupply.eu](mailto:info@logicsupply.eu)  
[www.logicsupply.com](http://www.logicsupply.com)

## Specifications

Processor	Intel Core i3/i5	Storage Options	M.2 NGFF SSD 22x60
Processor Speed	Up to 2.4GHz	LAN Controller	Intel I219LM GbE
Processor Generation	Skylake	Input Voltage	12 VDC / 19 VDC
Processor Cores	2	Power Input	DC jack
Graphics / GPU	Intel HD Graphics 520	Operating Temp. Range	0 ~ 40°C
Memory	DDR4 SO-DIMM (non-ECC) Up to 32 GB	Dimensions (WxHxD)	142 x 62 x 107 mm
Rear I/O	2 HDMI ports 1 DisplayPort 1 Gb LAN port 2 USB 3.0 ports	Mounting Options	DIN-mount VESA-mount Wall-mount
Front I/O	1 USB 3.0 port 1 USB Type C 3.1 port 1 Audio jack; Speaker/Mic-in 1 Power Button	Regulatory Information	2011/65/EU (RoHS 2 Directive) CE EN 55022 EN 55024 EN 55032 EN 60950-1 FCC 47 CFR Part 15
Expansion Options	1 M.2 2230 slot		

## Dimensional Drawings

All measurements in mm



[logicsupply.com/ml100g-50/](http://logicsupply.com/ml100g-50/)



### US Office

Phone: +1 802 861 2300

Email: [info@logicsupply.com](mailto:info@logicsupply.com)

[www.logicsupply.com](http://www.logicsupply.com)

### EU Office

Phone: +31 088 5200 700

Email: [info@logicsupply.eu](mailto:info@logicsupply.eu)

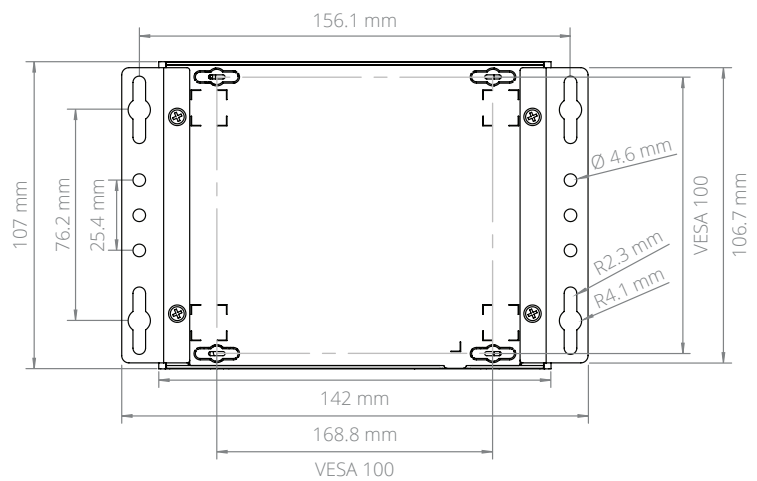
[www.logicsupply.com](http://www.logicsupply.com)

## Specifications

Processor	Intel Core i5-8265U	LAN Controller	Intel I219LM GbE Realtek RTL8111H
Processor Speed	Up to 1.6GHz	Input Voltage	12 VDC
Processor Generation	Whiskey Lake	Power Input	DC jack
Processor Cores	4	Operating Temp. Range	0 ~ 50°C
Graphics / GPU	Intel UHD Graphics 620	Dimensions (WxHxD)	142 x 62 x 107 mm
Memory	DDR4 SO-DIMM (non-ECC) Up to 32 GB	Mounting Options	DIN-mount VESA-mount Wall-mount
Rear I/O	2 DisplayPort connectors 1 HDMI port 2 Gb LAN ports 2 USB 3.1 ports 1 DC jack	Regulatory Information	2002/96/EC (WEEE Directive) 2009/125/EC (ERP Directive) 2011/65/EU (RoHS 2 Directive) CE EN 55024 EN 55032 EN 55035 EN 62368-1 FCC 47 CFR Part 15 REACH
Front I/O	1 Audio jack (line-out; mic-in) 2 USB 2.0 ports 1 USB 3.1 port		
Expansion Options	1 M.2 E Key 2230 slot		
Storage Options	1 M.2 2280 M-key slot (PCIe Gen3 x4) for NVMe SSD		

## Dimensional Drawings

All measurements in mm



[logicsupply.com/ml100g-51/](http://logicsupply.com/ml100g-51/)



### US Office

Phone: +1 802 861 2300

Email: [info@logicsupply.com](mailto:info@logicsupply.com)

[www.logicsupply.com](http://www.logicsupply.com)

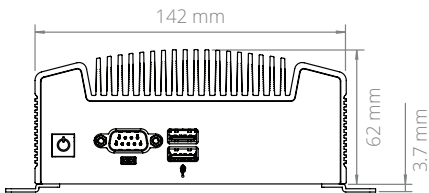
### EU Office

Phone: +31 088 5200 700

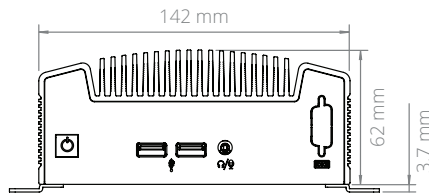
Email: [info@logicsupply.eu](mailto:info@logicsupply.eu)

[www.logicsupply.com](http://www.logicsupply.com)

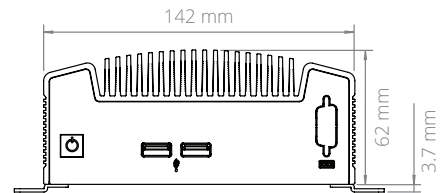
All measurements in mm



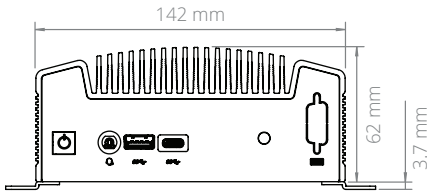
ML100G-10 FRONT



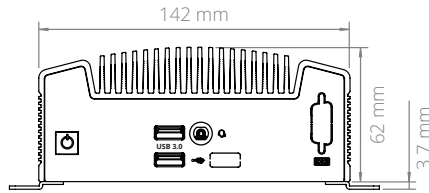
ML100G-30 FRONT



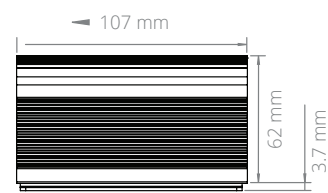
ML100G-31 FRONT



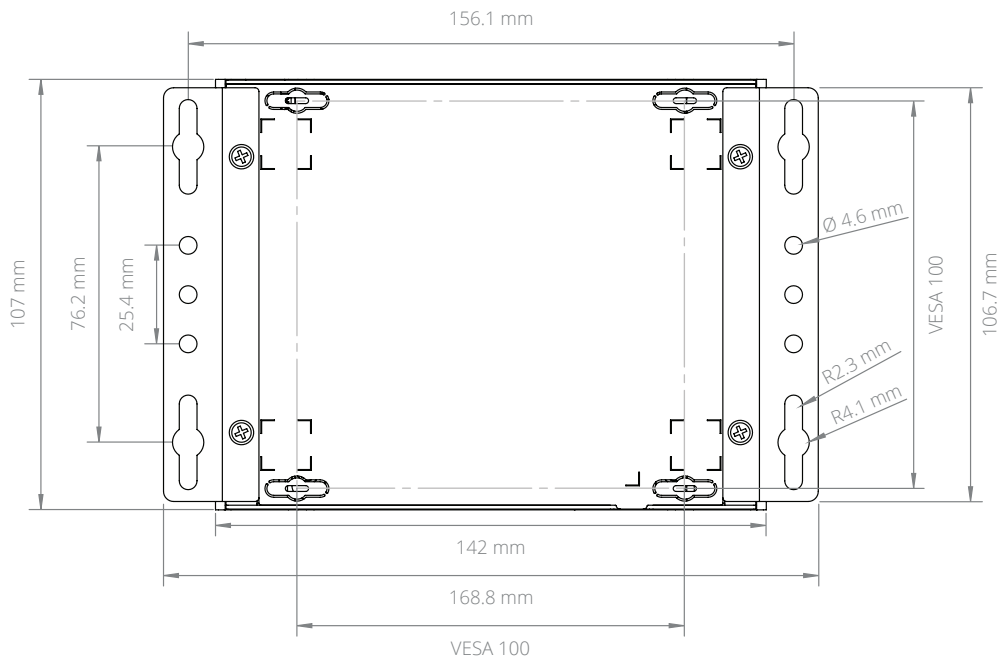
ML100G-50 FRONT



ML100G-51 FRONT



SIDE



BOTTOM

