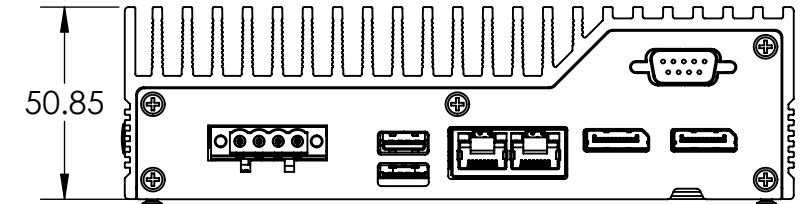
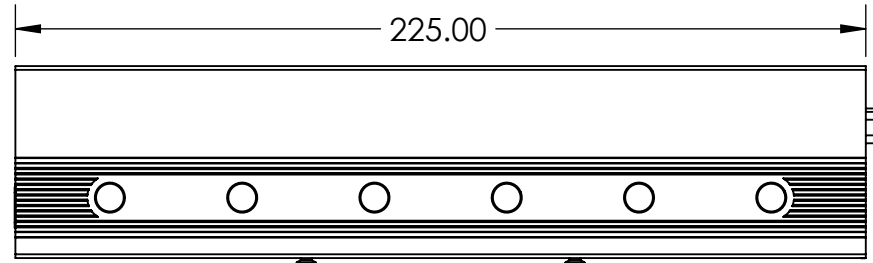
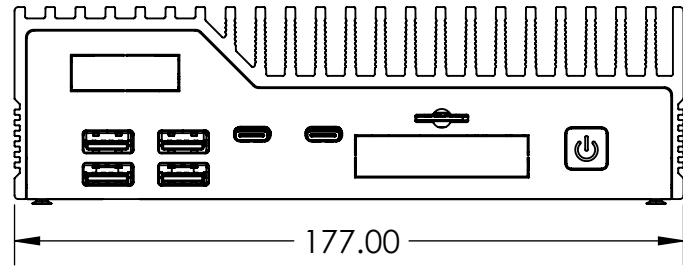


8 7 6 5 4 3 2 1

D

D

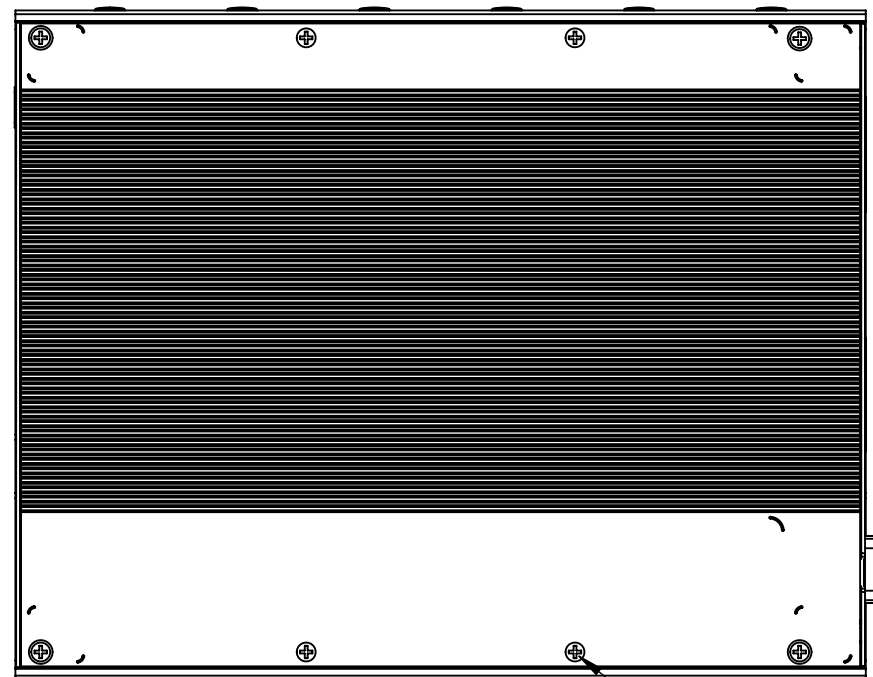


C

C

B

B



A

A

BASE SYSTEM

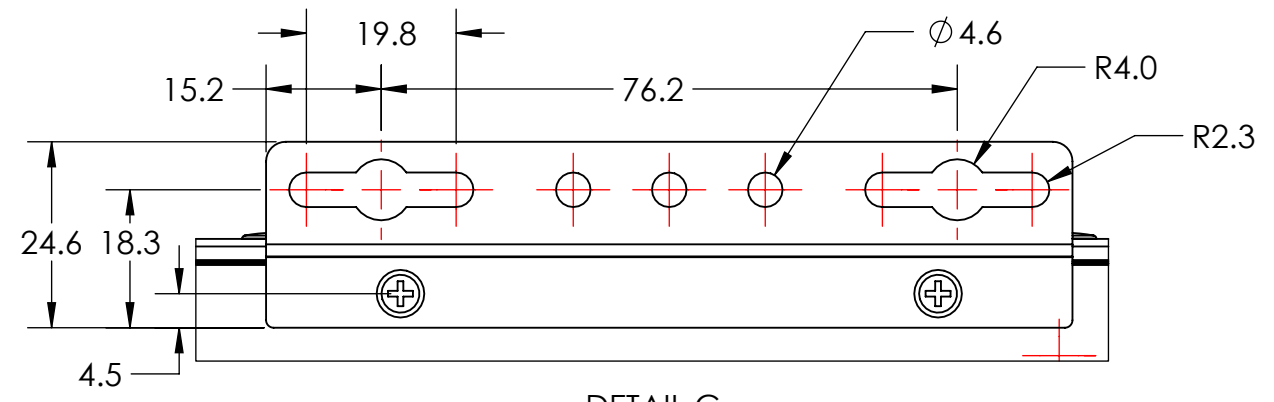
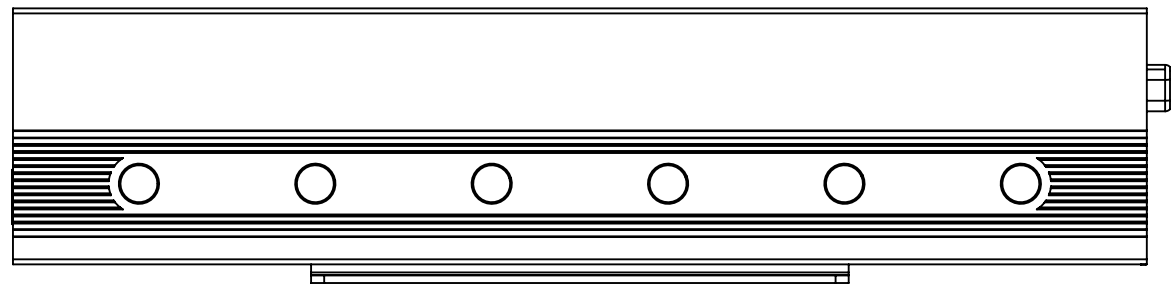
(Units in mm)

<p>(c) 2021 OnLogic, Inc. All rights reserved.</p> <p>DISCLAIMER: These drawings are provided as a courtesy, and as such, are provided "as-is", without warranty of any kind, express or implied.</p>	<p>ONLOGIC 35 Thompson St S. Burlington, VT 05403 802-861-2300</p>	
	<p>TITLE: HX511 DIMENSIONAL DRAWINGS</p>	
<p>SCALE: 1:2</p>		<p>SHEET 1 OF 4</p>

8 7 6 5 4 3 2 1

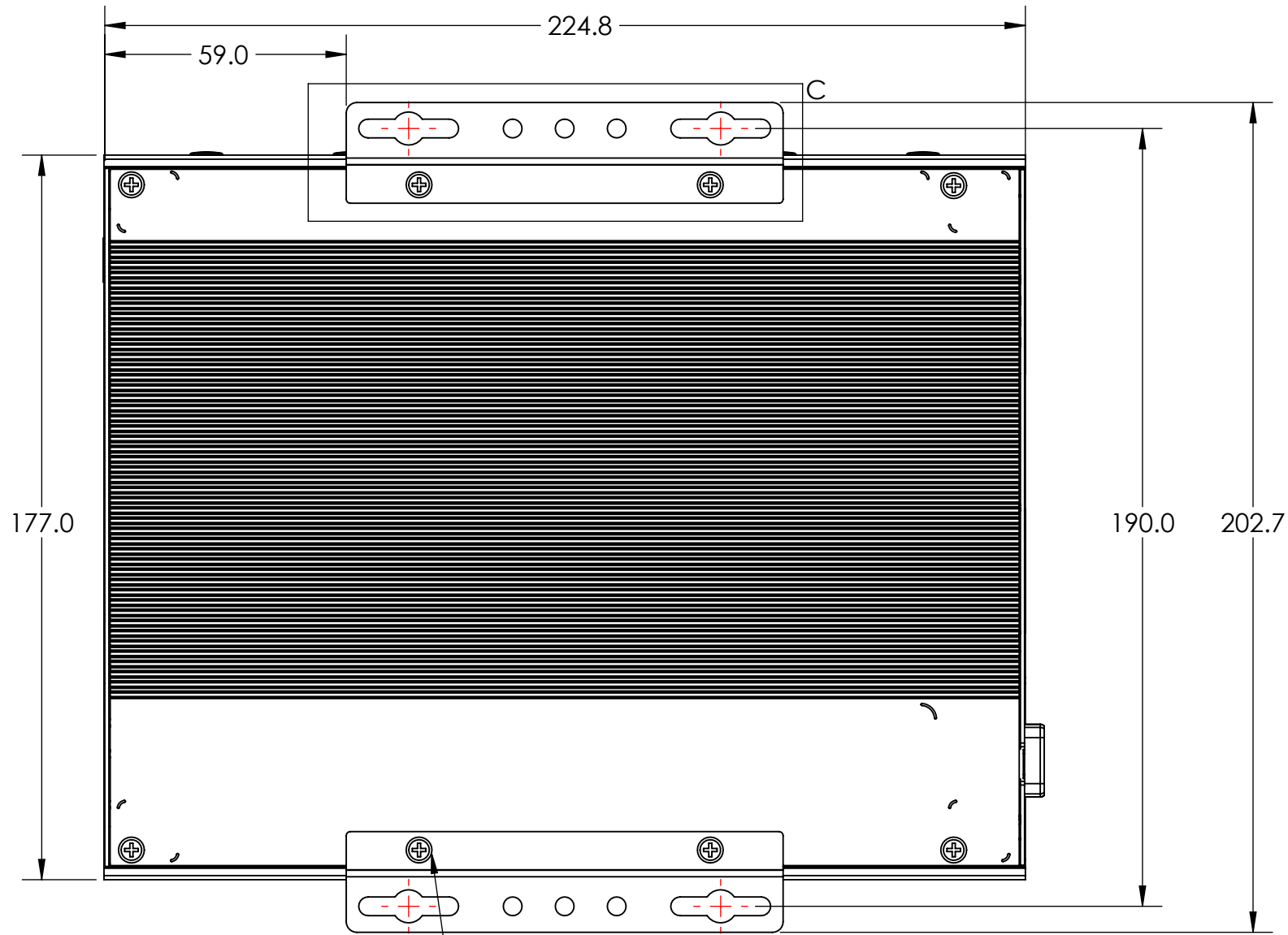
8 7 6 5 4 3 2 1

D



DETAIL C

C



M3X0.5 120° FLAT HEAD SCREW
MAXIMUM SCREW DEPTH INTO CHASSIS 6mm

WALL MOUNT

(Units in mm)

(c) 2021 OnLogic, Inc.
All rights reserved.

DISCLAIMER: These drawings are provided as a courtesy, and as such, are provided "as-is", without warranty of any kind, express or implied.



35 Thompson St
S. Burlington, VT 05403
802-861-2300

TITLE:

HX511 DIMENSIONAL DRAWINGS

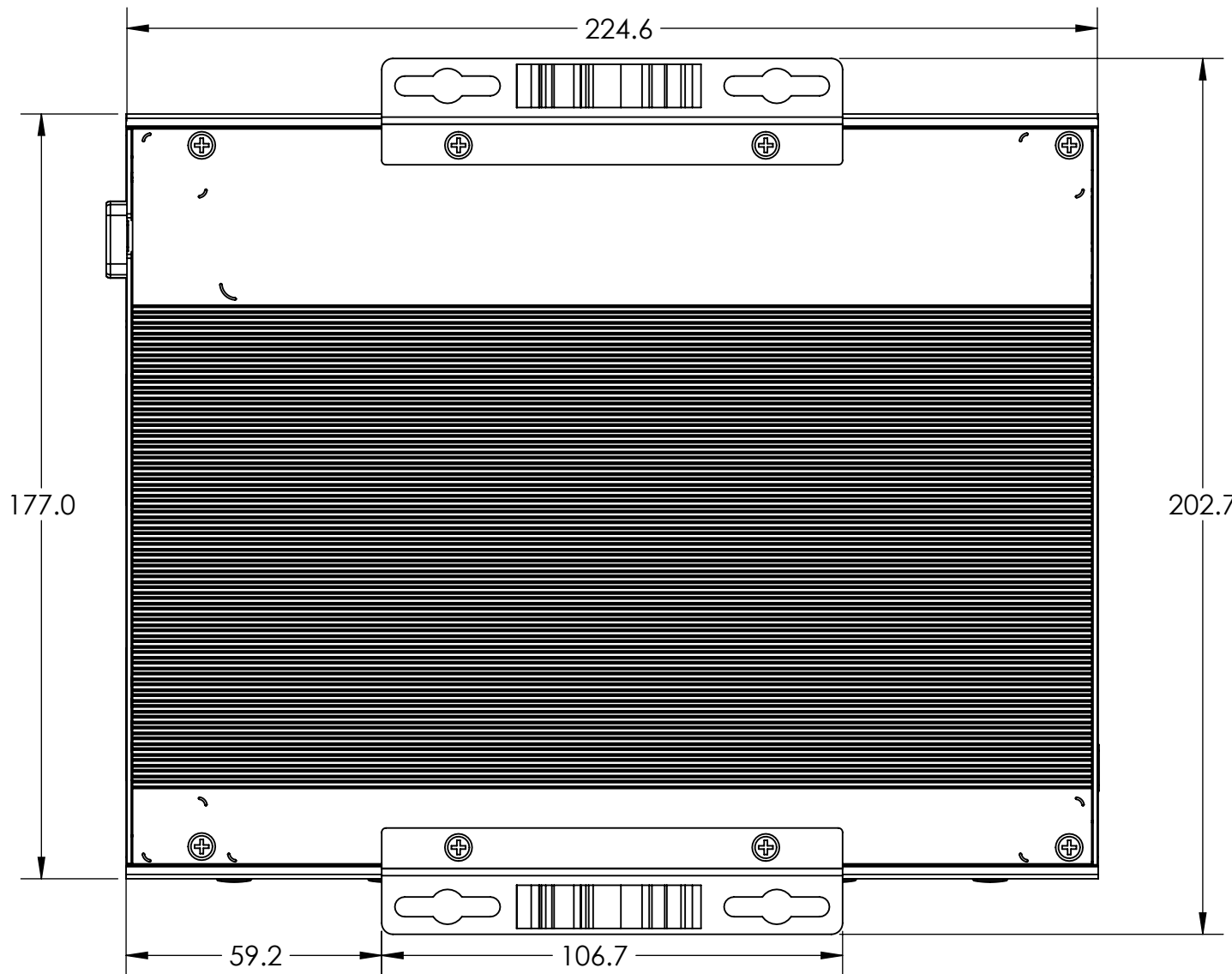
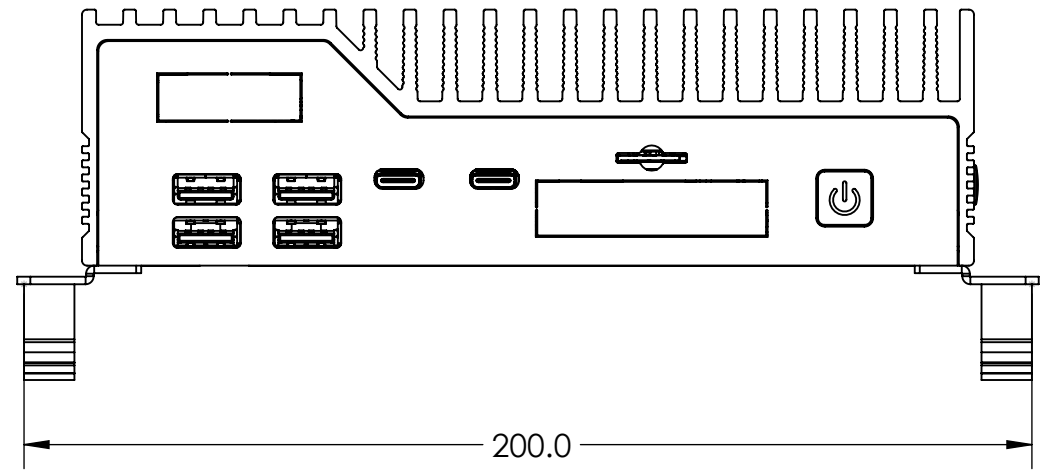
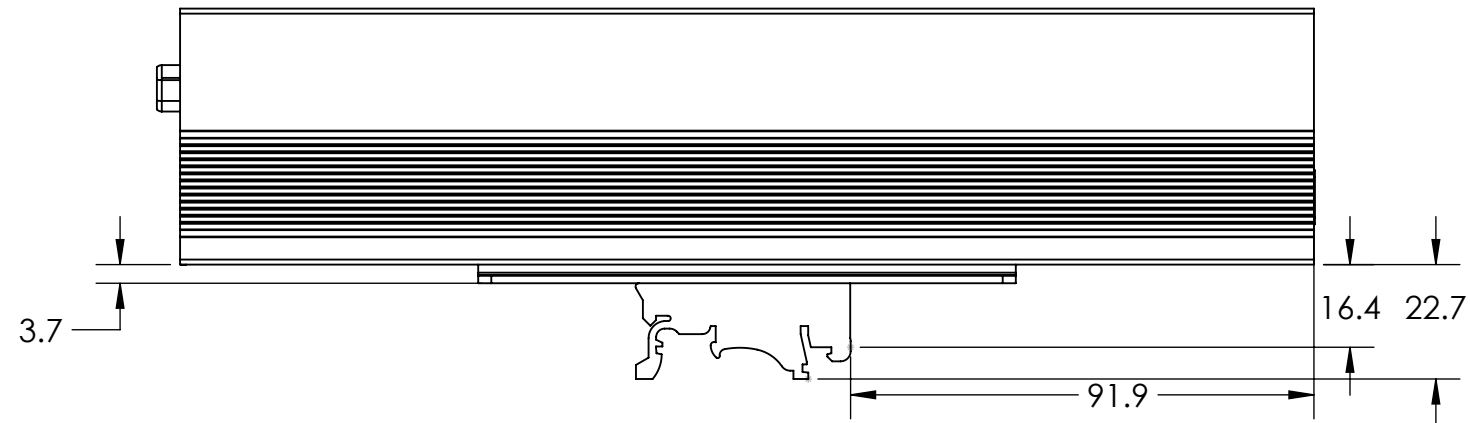
SCALE: 1:1

SHEET 2 OF 4

8 7 6 5 4 3 2 1

A

A



DIN SYSTEM

(Units in mm)

(c) 2021 OnLogic, Inc.
All rights reserved.

DISCLAIMER: These drawings are provided as a courtesy, and as such, are provided "as-is", without warranty of any kind, express or implied.



35 Thompson St
S. Burlington, VT 05403
802-861-2300

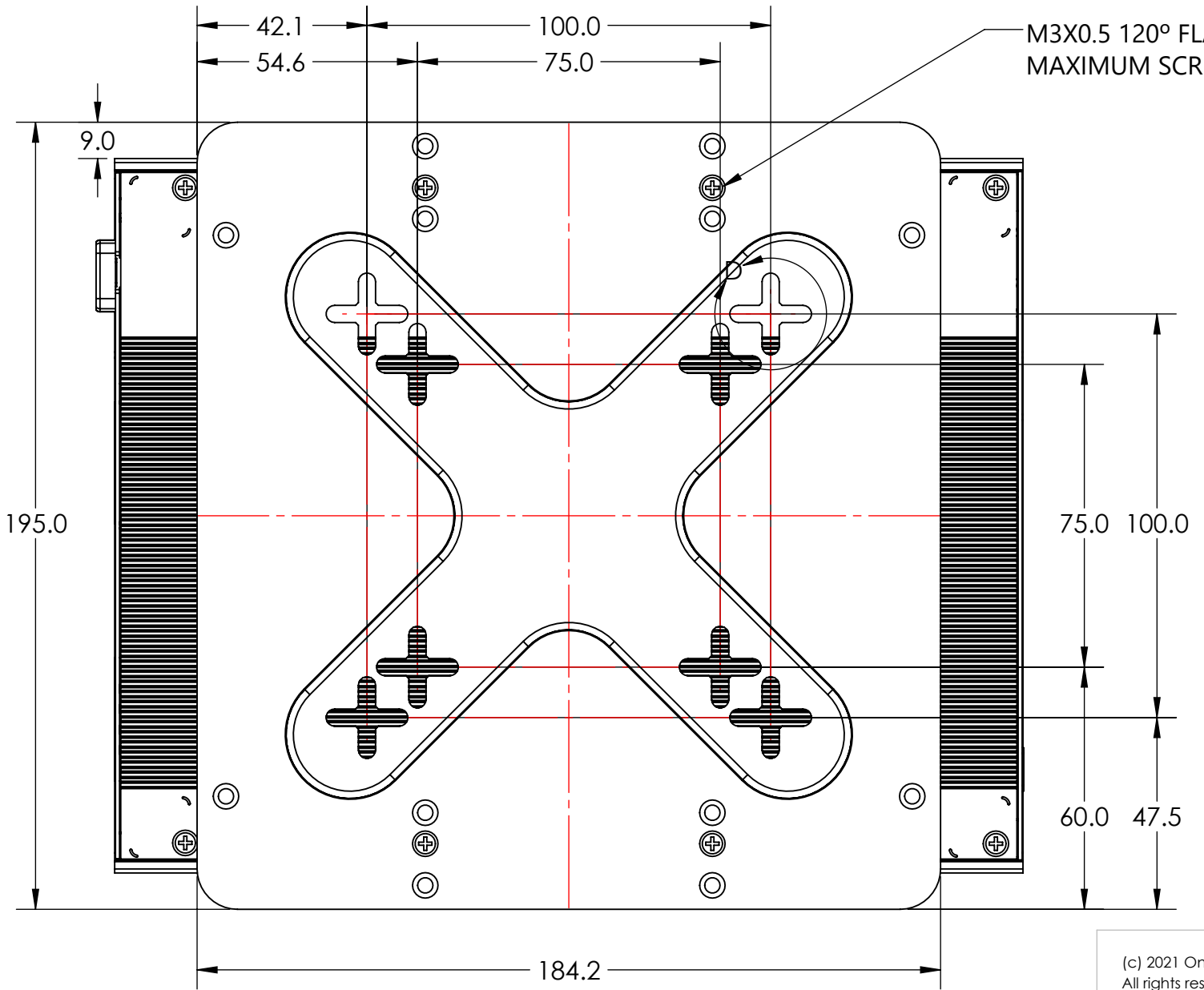
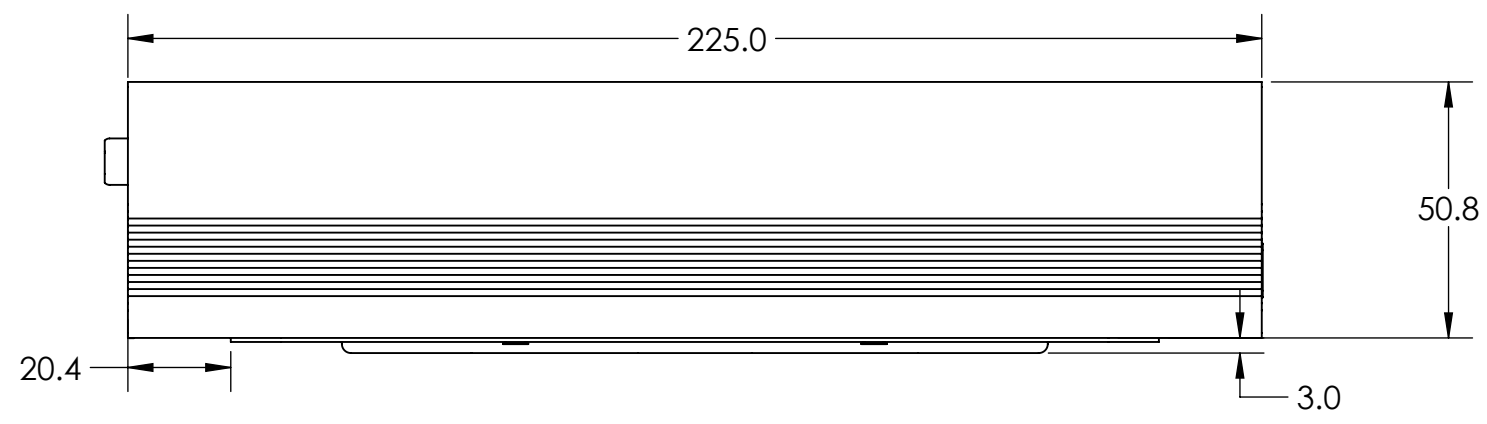
TITLE:
HX511 DIMENSIONAL DRAWINGS

SCALE: 1:1

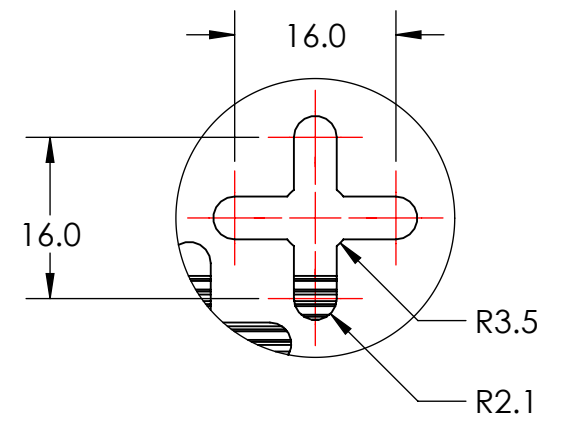
SHEET 3 OF 4

8 7 6 5 4 3 2 1

D
C
B
A



M3X0.5 120° FLAT HEAD SCREW
 MAXIMUM SCREW DEPTH INTO CHASSIS 6mm



DETAIL D
 SCALE 4 : 3

VESA SYSTEM

(Units in mm)

(c) 2021 OnLogic, Inc.
 All rights reserved.

DISCLAIMER: These drawings are provided as a courtesy, and as such, are provided "as-is", without warranty of any kind, express or implied.



35 Thompson St
 S. Burlington, VT 05403
 802-861-2300

TITLE:
 HX511 DIMENSIONAL DRAWINGS

SCALE: 1:1

SHEET 4 OF 4

8 7 6 5 4 3 2 1