

CL100

Anything, Anywhere.

Ultra-small, yet highly capable, the CL100 is the ubiquitous computing platform ideal for any task.

onlogic.com/cl100 >



Power In The Palm Of Your Hand

Measuring just 117 x 112 x 36mm, the CL100 packs dependable performance in a system that can be installed virtually anywhere.



Built For Your Connected World

Capable of powering triple independent displays, the CL100 lets you connect the devices and peripherals you need.

Not Just Another Black Box

The CL100 incorporates a modern design aesthetic while maintaining its industrial heritage, striking the ideal balance between form and function.

US Office

Phone: +1 802 861 2300
Email: info@onlogic.com
www.onlogic.com

EU Office

Phone: +31 088 5200 700
Email: info@onlogic.eu
www.onlogic.com

Industrial Fanless Mini PC

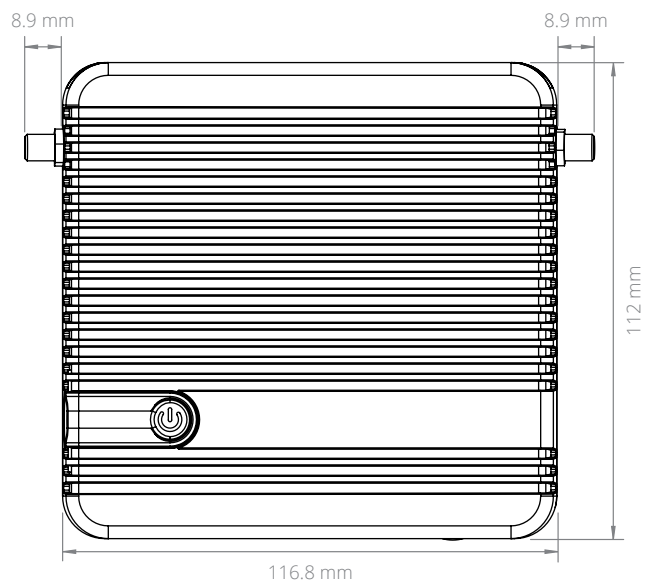
Specifications

CL100

| | | | |
|----------------------|---|------------------------|--|
| Processor | Intel Celeron N3160 Intel Pentium N3710 | Storage Options | mSATA |
| Processor Speed | 1.6 GHz | LAN Controller | Realtek RT8111G |
| Processor Generation | Braswell | Input Voltage | 12 VDC |
| Processor Cores | 4 | Power Input | DC jack |
| Graphics / GPU | Intel HD Graphics | Operating Temp. Range | 0 ~ 40°C |
| Memory | DDR3L SO-DIMM (non-ECC) Up to 16 GB | Dimensions (WxHxD) | 116.75 x 36.7 x 112 mm |
| Rear I/O | 2 HDMI ports 1 DisplayPort 1 Gb LAN port 2 USB 3.0 ports 1 DC input jack (12 V) | Mounting Options | VESA-mount (with bracket) DIN-mount Wall-mount |
| Front I/O | 1 USB 3.0 port 1 USB Type C port 1 Audio jack; Speaker/Mic-in | Regulatory Information | 2011/65/EU (RoHS 2 Directive) CB scheme CE EN 55022 EN 55024 EN 55032 EN 60950-1 FCC 47 CFR Part 15 UL Listed configurations available |
| Expansion Options | 1 PCIe Mini Card (half-height) | | |

Dimensional Drawings

All measurements in mm



onlogic.com/cl100



US Office

Phone: +1 802 861 2300

Email: info@onlogic.com

www.onlogic.com

EU Office

Phone: +31 088 5200 700

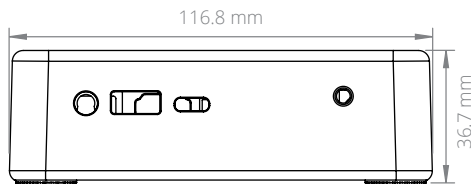
Email: info@onlogic.eu

www.onlogic.com

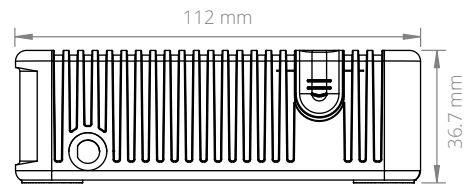
CL100 Dimensional Drawings

Industrial Fanless Mini PC

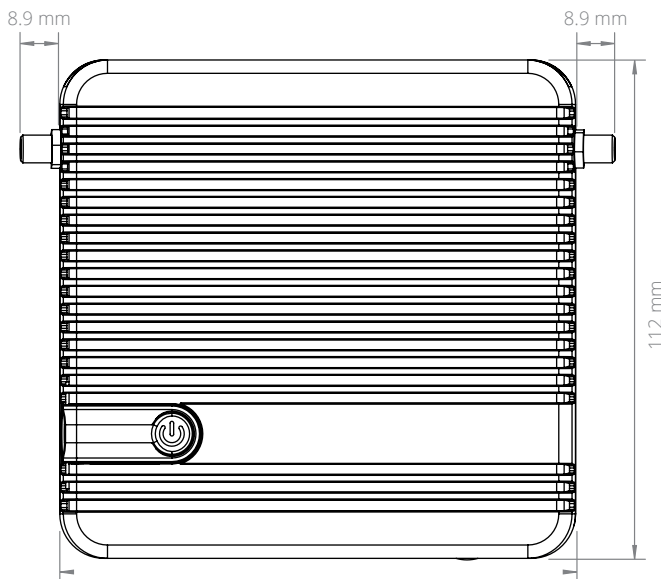
All measurements in mm



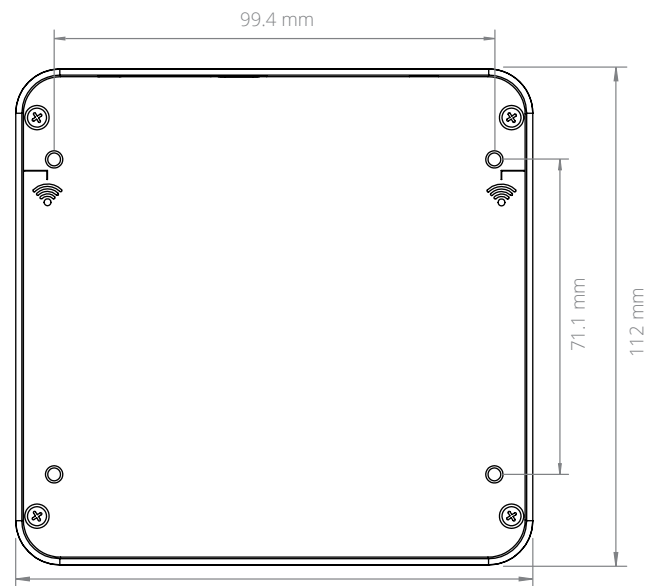
FRONT



BUTTON SIDE



TOP



BOTTOM

onlogic.com/cl100 >

US Office

Phone: +1 802 861 2300

Email: info@onlogic.com

www.onlogic.com

EU Office

Phone: +31 088 5200 700

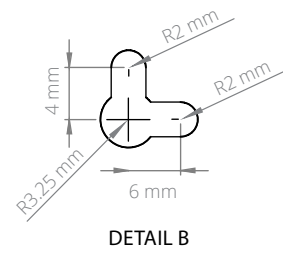
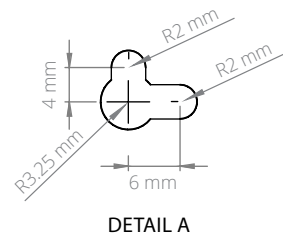
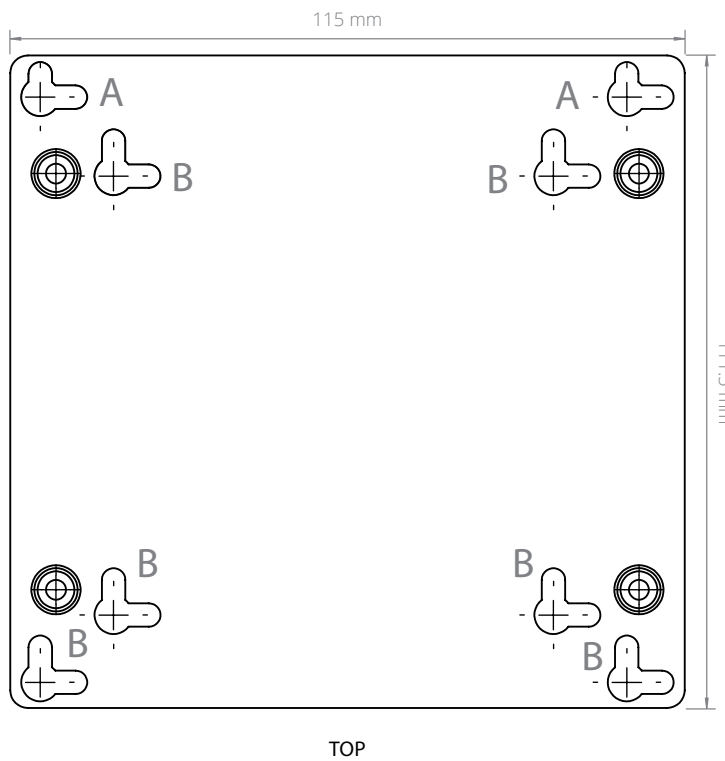
Email: info@onlogic.eu

www.onlogic.com

CL100 VESA Mounting Plate

Mounting Adapter

All measurements in mm



onlogic.com/cl100 >

US Office

Phone: +1 802 861 2300

Email: info@onlogic.com

www.onlogic.com

EU Office

Phone: +31 088 5200 700

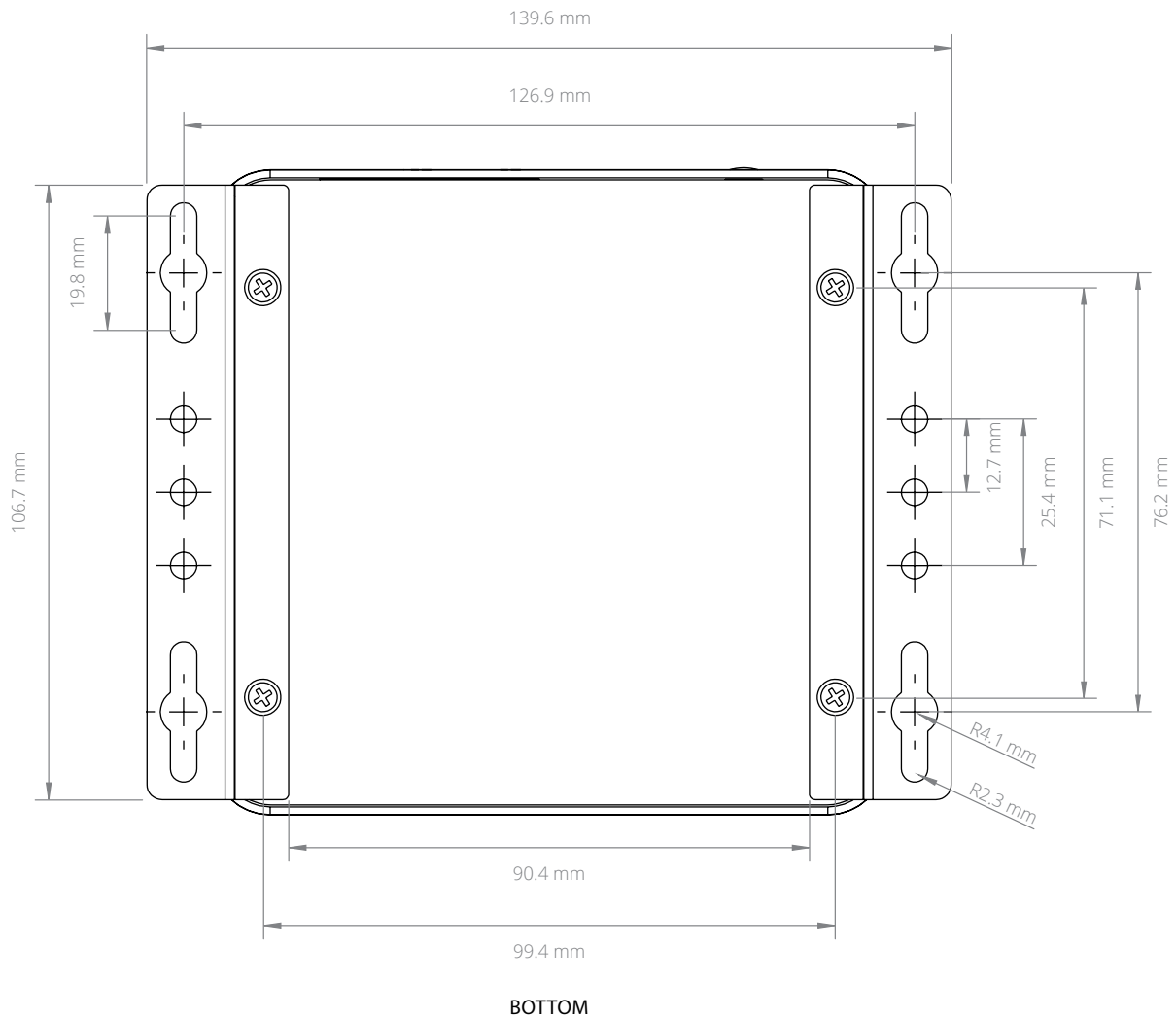
Email: info@onlogic.eu

www.onlogic.com

CL100 with Mounting Plates

Shown with MTW101

All measurements in mm



onlogic.com/cl100



US Office

Phone: +1 802 861 2300

Email: info@onlogic.com

www.onlogic.com

EU Office

Phone: +31 088 5200 700

Email: info@onlogic.eu

www.onlogic.com