

# FR201

## FR201 Raspberry Pi Industrial IoT Gateway

Factor 201 combines the Raspberry Pi Compute Module 4 (CM4) with our industrial grade carrier board and Hardshell Fanless Technology, to create the industrial Raspberry Pi you've been waiting for.

[onlogic.com/fr201](https://onlogic.com/fr201)



### RASPBERRY PI GOES INDUSTRIAL

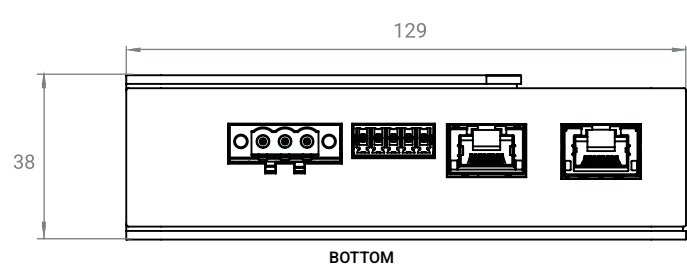
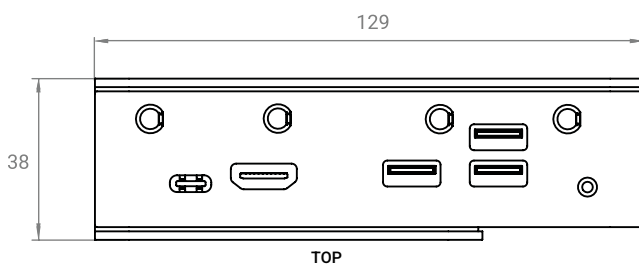
At the heart of Factor 201 is a Quad-Core ARM Cortex-A72 64-bit SoC. Configure the system with up to 8 GB of RAM, 32 GB of onboard eMMC storage and an M.2 SATA drive up to 2 TB to create a palm-sized IPC, industrial controller, edge gateway or IoT device.

### ENGINEERED FOR RELIABILITY

Fanless, solid state construction, an operating temperature range of -20° to 60°C, wide input power range, power over ethernet power delivery, and industrial components with long lifecycles make Factor 201 an ideal industrial deployment platform.

### INDUSTRY I/O

The custom carrier board inside Factor 201 gives you dual 1 GbE LAN ports, 1x RS-232/422/485 terminal block connector, 1x USB 3.2 port, 2x USB 2.0 ports, 1x HDMI port, and 1 USB-C configuration port. Integrated DIN rail and wall mounting options let you install Factor 201 anywhere you need it.



#### US Office

Phone: +1 802 861 2300 | Email: [info@onlogic.com](mailto:info@onlogic.com) | [www.onlogic.com](http://www.onlogic.com)

#### EU Office

Phone: +31 088 5200 700 | Email: [info@onlogic.eu](mailto:info@onlogic.eu) | [www.onlogic.com](http://www.onlogic.com)

## System

Processor	Raspberry Pi Compute Module 4 (CM4) with Broadcom BCM2711 Cortex-A72 (ARM v8)
Processor Cores	4
Processor Speed	1.5 GHz
Memory	Up to 8 GB LPDDR4 on CM4

## Top I/O

USB	2 USB 2.0 Ports 1 USB 3.2 Gen 1 Port USB-C Port (CM4 management)
Video	1 HDMI Port
Other	1 Reset Button

## Bottom I/O

Ethernet	2 1GbE LAN (Optional PoE PD Input)
Power	3-Pin Terminal Block Power Input (12~24V DC, 22W max)
Serial	1 RS-232/422/485 5-pin Terminal Block

## Expansion & Features

Expansion & Storage	Up to 32GB eMMC on CM4 1 M.2 2280 B-key (SATA) 1 M.2 3042/3052 B-key (USB 3.0, USB 2.0)
Features	Optional 802.11ac 1x1 Wi-Fi with BT 5.1 on CM4 Optional PoE PD (up to 802.3at at 25.5W) Optional TPM 2.0

## Mechanical

Dimensions (WxHxD)	102.5 x 129 x 38 mm 4.04 x 5.08 x 1.50 in
Mounting Options	DIN Rail (Edge or Back) Wall-mount (Edge or Back)

## Environmental & Regulatory

Operating Temperature	-20 ~ 60°C
Certifications	FCC 47 CFR Part 15 CE RCM UKCA VCCI ISED ICES-003 WEEE Directive (2002/96/EC) Low Voltage Directive (2014/35/EU) Electromagnetic Compatibility Directive (2014/30/EU) Radio Equipment Directive (2014/53/EU) RoHS 3 (2015/863/EU) REACH EN 55011 EN 55032 EN 55035 EN 60601-1-2 4th Edition EN 60945 4th Edition EN 62368-1 UL 61010-1 UL 61010-2-201 Some certifications configuration dependent.

### US Office

Phone: +1 802 861 2300 | Email: info@onlogic.com | www.onlogic.com

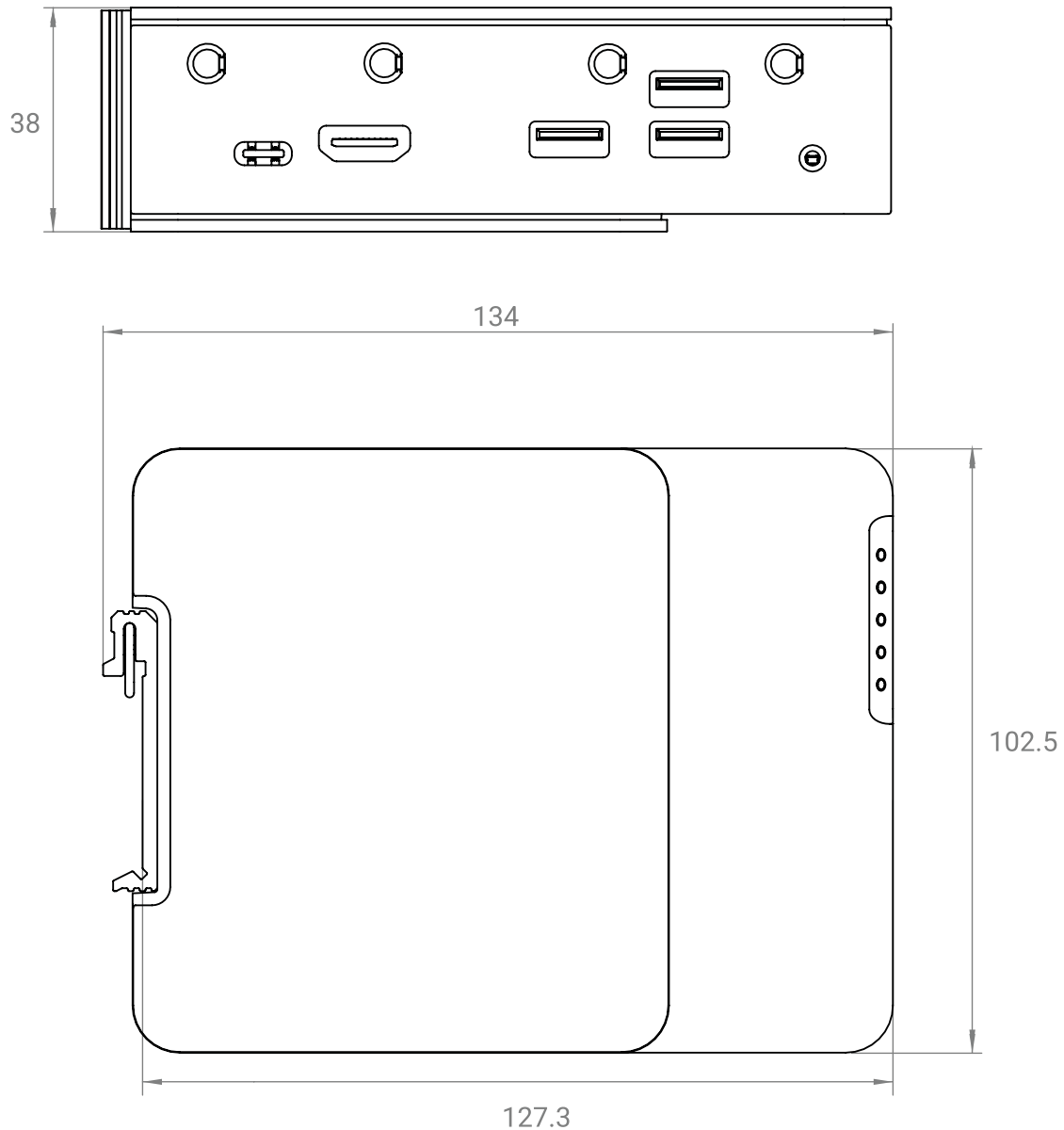
### EU Office

Phone: +31 088 5200 700 | Email: info@onlogic.eu | www.onlogic.com

## FR 201 DIN Mount Dimensional Drawings

Raspberry Pi Industrial IoT Gateway

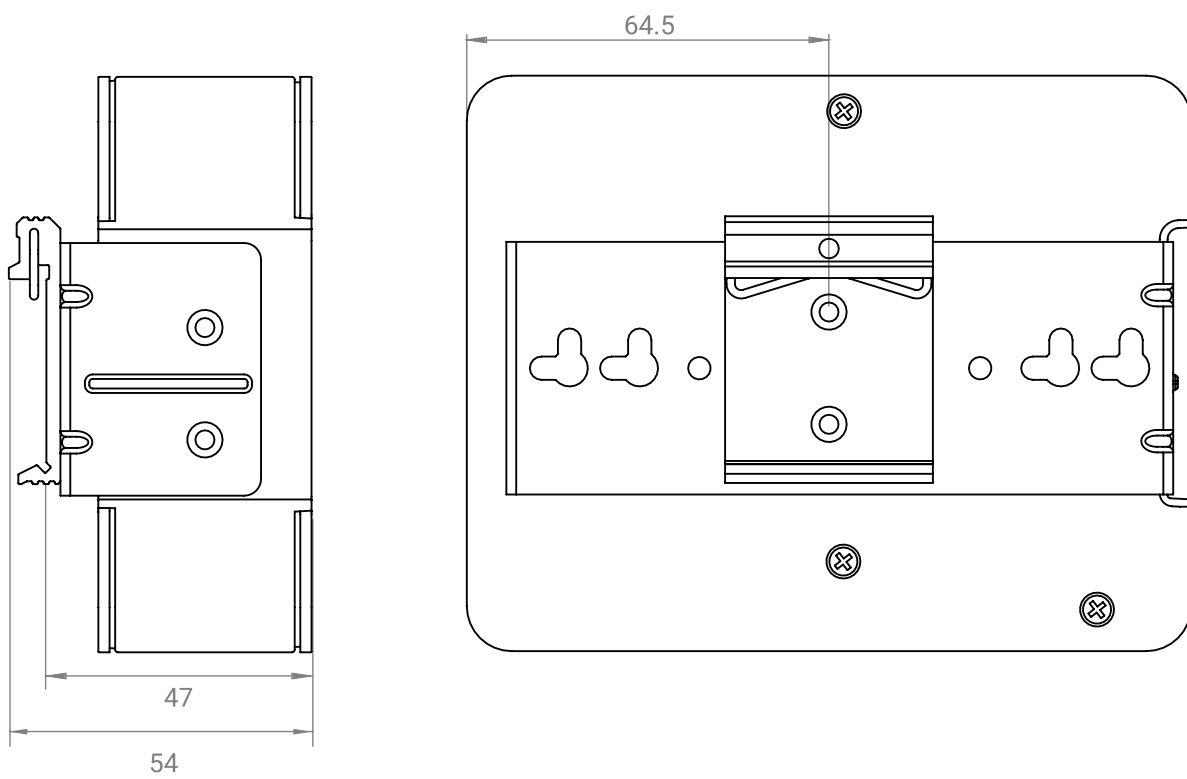
All measurements in mm



## FR 201 Dimensional Drawings

Back DIN Mount

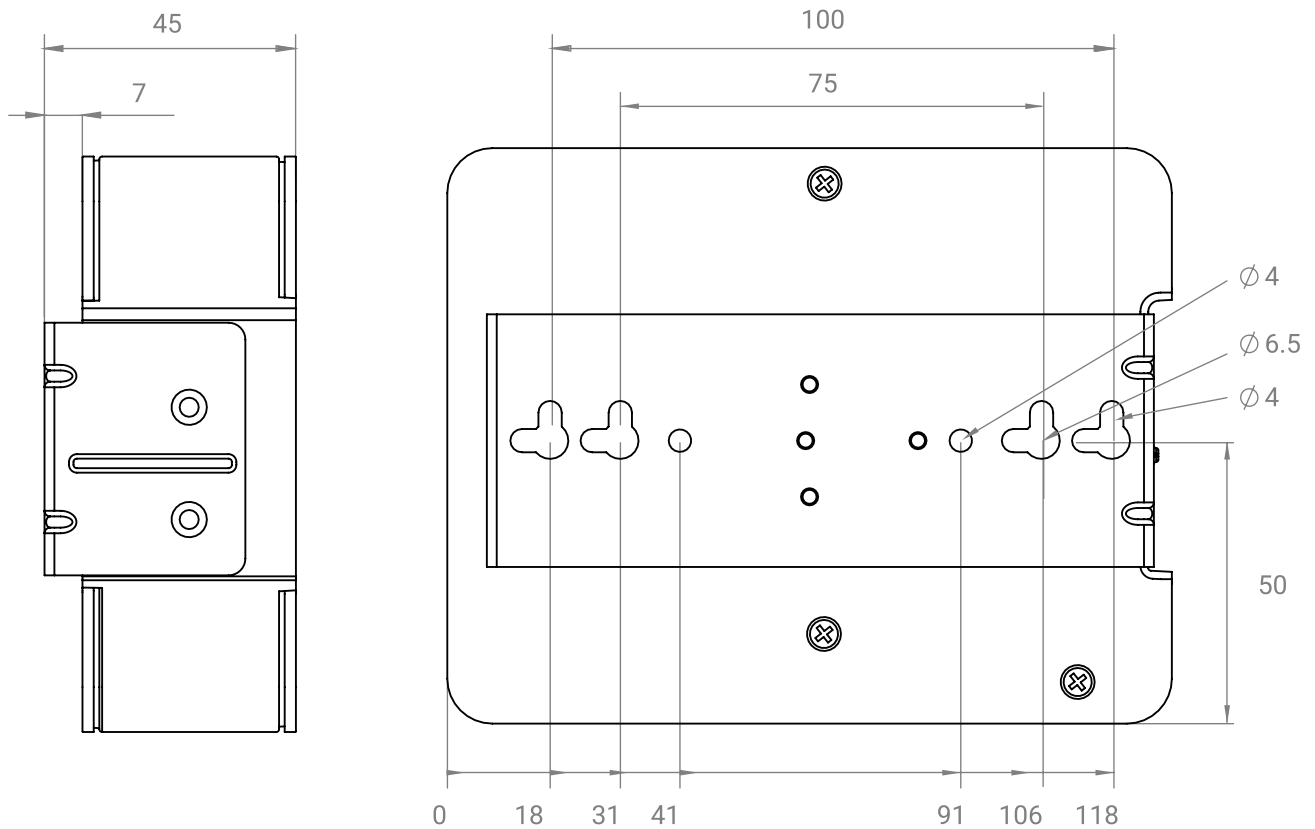
All measurements in mm



## FR 201 Dimensional Drawings

Back Wall Mount

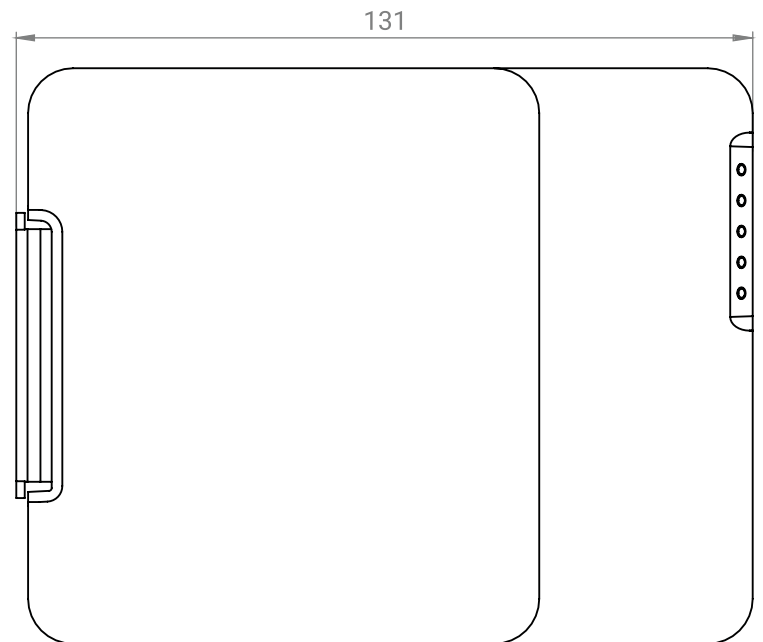
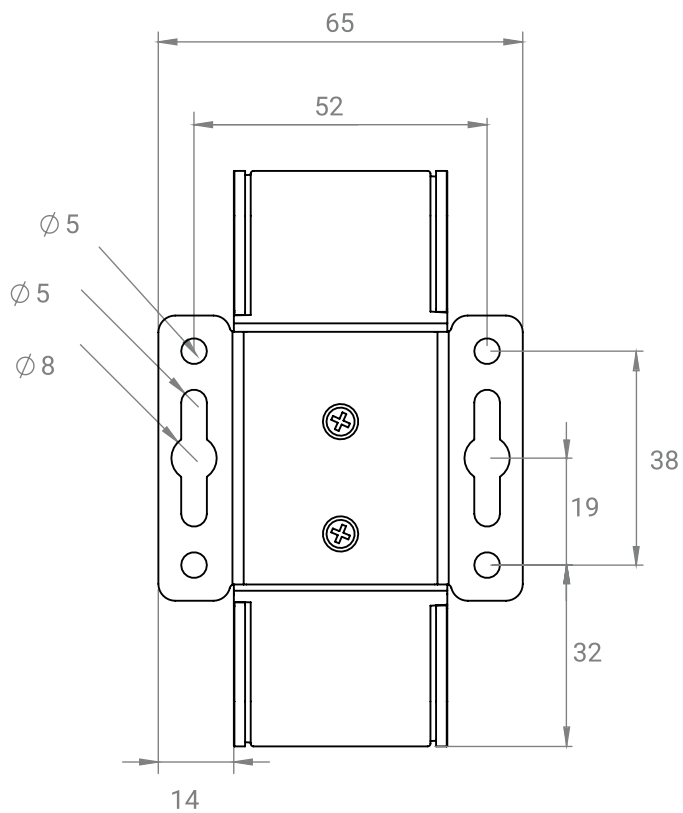
All measurements in mm



## FR 201 Dimensional Drawings

Edge Wall Mount

All measurements in mm



### US Office

Phone: +1 802 861 2300 | Email: info@onlogic.com | www.onlogic.com

### EU Office

Phone: +31 088 5200 700 | Email: info@onlogic.eu | www.onlogic.com