

FR201

FR201 Raspberry Pi Industrial IoT Gateway

Factor 201 combines the Raspberry Pi Compute Module 4 (CM4) with our industrial grade carrier board and Hardshell Fanless Technology, to create the industrial Raspberry Pi you've been waiting for.

onlogic.com/fr201



RASPBERRY PI GOES INDUSTRIAL

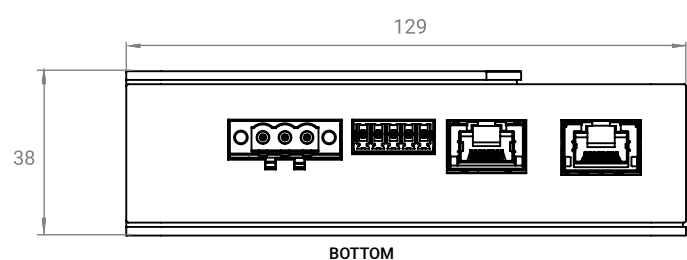
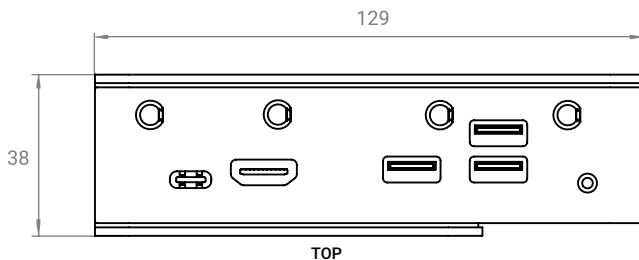
At the heart of Factor 201 is a Quad-Core ARM Cortex-A72 64-bit SoC. Configure the system with up to 8 GB of RAM, 32 GB of onboard eMMC storage and an M.2 SATA drive up to 2 TB to create a palm-sized IPC, industrial controller, edge gateway or IoT device.

ENGINEERED FOR RELIABILITY

Fanless, solid state construction, an operating temperature range of -20° to 60°C, wide input power range, power over ethernet power delivery, and industrial components with long lifecycles make Factor 201 an ideal industrial deployment platform.

INDUSTRY I/O

The custom carrier board inside Factor 201 gives you dual 1 GbE LAN ports, 1x RS-232/422/485 terminal block connector, 1x USB 3.2 port, 2x USB 2.0 ports, 1x HDMI port, and 1 USB-C configuration port. Integrated DIN rail and wall mounting options let you install Factor 201 anywhere you need it.



US Office

Phone: +1 802 861 2300 | Email: info@onlogic.com | www.onlogic.com

EU Office

Phone: +31 088 5200 700 | Email: info@onlogic.eu | www.onlogic.com

System	
Processor	Raspberry Pi Compute Module 4 (CM4) with Broadcom BCM2711 Cortex-A72 (ARM v8)
Processor Cores	4
Processor Speed	1.5 GHz
Memory	Up to 8 GB LPDDR4 on CM4

Top I/O	
USB	2 USB 2.0 Ports 1 USB 3.2 Gen 1 Port USB-C Port (CM4 management)
Video	1 HDMI Port
Other	1 Reset Button

Bottom I/O	
Ethernet	2 1GbE LAN (Optional PoE PD Input)
Power	3-Pin Terminal Block Power Input (8~24 DC, 22W max)
Serial	1 RS-232/422/485 5-pin Terminal Block

Expansion & Features	
Expansion & Storage	Up to 32GB eMMC on CM4 1 M.2 2280 B-key (SATA) 1 M.2 3042/3052 B-key (USB 3.0, USB 2.0)
Features	Optional 802.11ac 1x1 Wi-Fi with BT 5.1 on CM4 Optional PoE PD (up to 802.3at at 25.5W) Optional TPM 2.0

Mechanical	
Dimensions (WxHxD)	102.5 x 129 x 38 mm 4.04 x 5.08 x 1.50 in
Mounting Options	DIN Rail (Edge or Back) Wall-mount (Edge or Back)

Environmental & Regulatory	
Operating Temperature	-20 ~ 60°C
Certifications	FCC 47 CFR Part 15 CE UL/ETL Listed configurations available CB scheme WEEE Directive (2002/96/EC) ErP Directive (2009/125/EC) Low Voltage Directive (2014/35/EU) Electromagnetic Compatibility Directive (2014/30/EU) Radio Equipment Directive (2014/53/EU) - For configurations with wireless transmitters RoHS 2 (2011/65/EU) RoHS 3 (2015/863/EU) REACH RCM VCCI-CISPR-32 EN 301 489-1 EN 301 489-17 EN 55032 EN 55035 EN 62368-1 IEC 62368-1 UL 62368-1

US Office

Phone: +1 802 861 2300 | Email: info@onlogic.com | www.onlogic.com

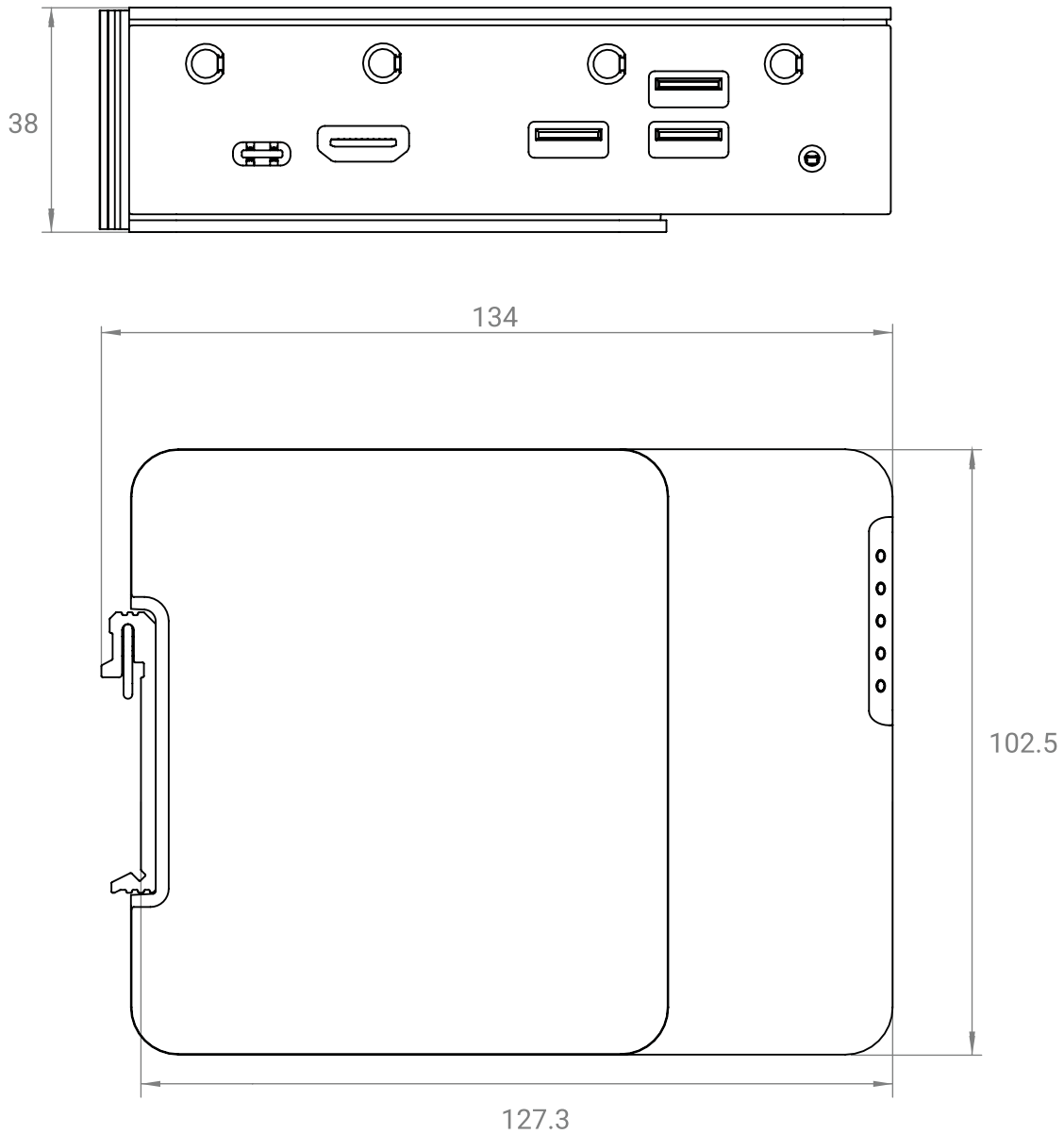
EU Office

Phone: +31 088 5200 700 | Email: info@onlogic.eu | www.onlogic.com

FR 201 DIN Mount Dimensional Drawings

Raspberry Pi Industrial IoT Gateway

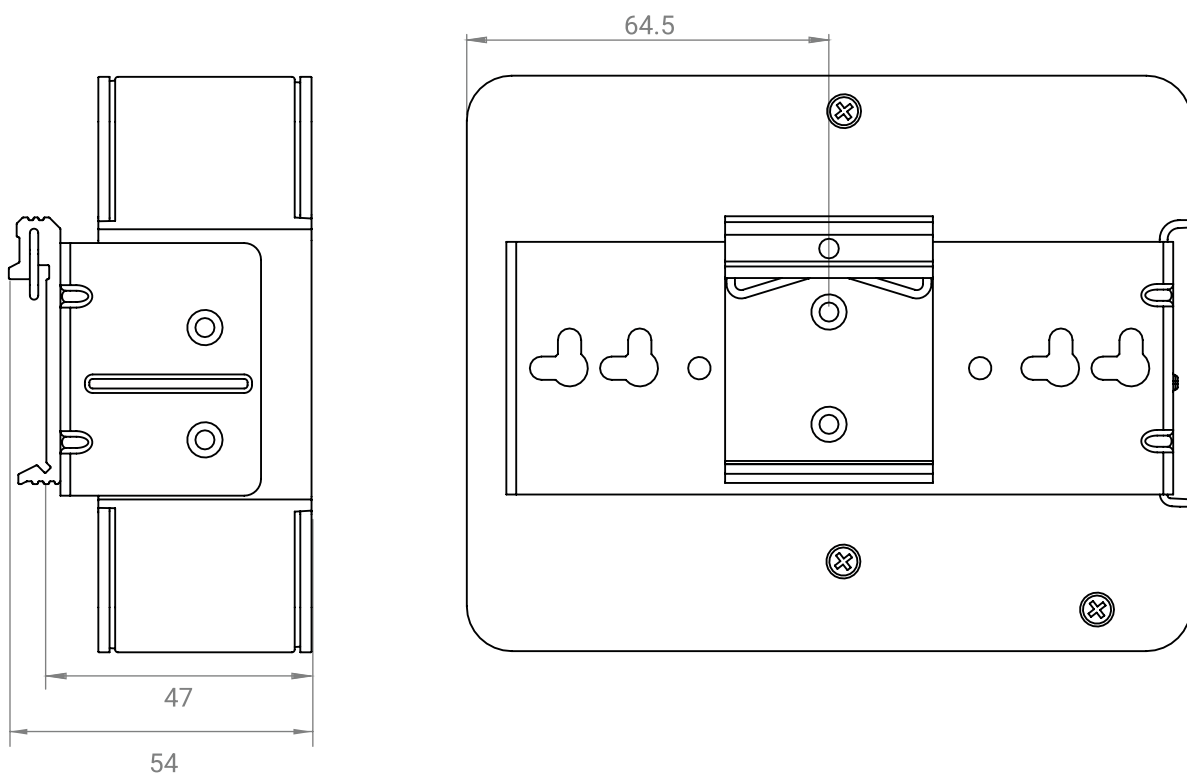
All measurements in mm



FR 201 Dimensional Drawings

Back DIN Mount

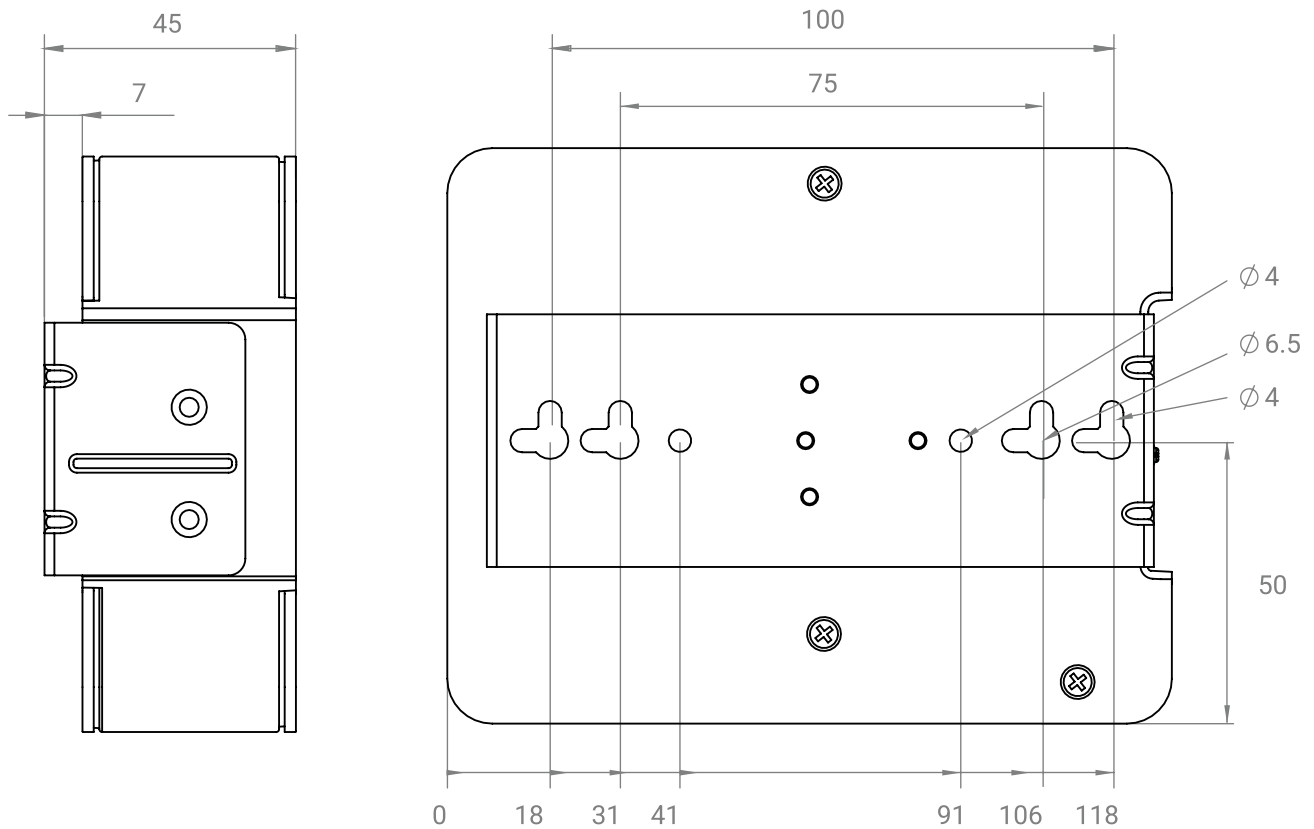
All measurements in mm



FR 201 Dimensional Drawings

Back Wall Mount

All measurements in mm



FR 201 Dimensional Drawings

Edge Wall Mount

All measurements in mm

