

FR202

FR202 Raspberry Pi Industrial Controller

Factor 202 combines the Raspberry Pi compute Module 4 (CM4) with our industrial grade carrier board and Hardshell Fanless Technology. Onboard digital I/O and analog input, as well as an integrated 2.7" touchscreen, give you unmatched control over your application.

onlogic.com/fr202



RASPBERRY PI GOES INDUSTRIAL

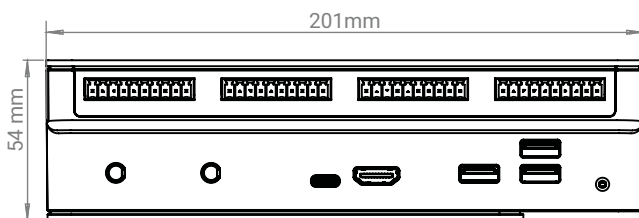
The Factor 202 is an ultra-compact industrial controller, powered by the Raspberry Pi Compute Module 4 (CM4). At the heart of Factor 202 is a Quad-Core ARM Cortex-A72 64-bit SoC with up to 8 GB of RAM, 32 GB of onboard eMMC storage and an M.2 SATA drive up to 2 TB.

ENGINEERED FOR RELIABILITY

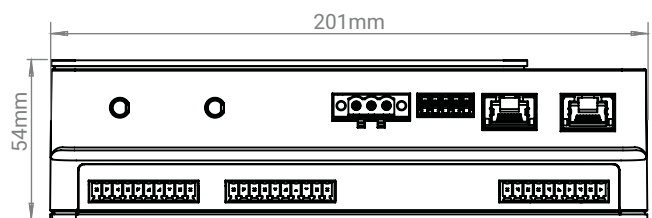
Fanless, solid state construction, an operating temperature range of -20° to 60°C, wide input power range, power over ethernet power delivery, and industrial components with long life cycles make Factor 202 an ideal industrial deployment platform.

INDUSTRY-FOCUSED I/O

Factor 202 gives you dual 1 GbE LAN, 1 RS-232/422/485 terminal block connector, 1x USB 3.2, 2x USB 2.0, 1x HDMI and 1 USB-C management port. In addition, 16x digital inputs and 16x digital outputs, as well as 4x analog inputs and a 2.7" touch screen, put you in full control of your installation.



TOP



BOTTOM

US Office

Phone: +1 802 861 2300 | Email: info@onlogic.com | www.onlogic.com

EU Office

Phone: +31 088 5200 700 | Email: info@onlogic.eu | www.onlogic.com

System

Processor	Raspberry Pi Compute Module 4 (CM4) with Broadcom BCM2711 Cortex-A72 (ARM v8)
Processor Cores	4
Processor Speed	1.5 GHz
Memory	Up to 8GB LPDDR4
Memory	LPDDR4 8 GB

Bottom I/O

Ethernet	2 1GbE LAN (Optional PoE PD Input)
Serial	1 RS-232/422/485 5-pin Terminal Block
Power	3-Pin Terminal Block Power Input (8~24 DC, 32W max draw)
Other	1 Reset Button 4 Analog Inputs 2x RTD Inputs I2C, SPI or Serial interface

Top I/O

USB	1 USB 3.2 Gen 1 Port 2 USB 2.0 Ports USB-C Port (CM4 management)
Video	1 HDMI Port
Other	16 Digital Inputs 16 Digital Outputs

Expansion & Features

Expansion & Storage	Onboard eMMC up to 32GB 1 M.2 3042/3052 B-key (USB 3.0 USB 2.0) 1 M.2 2280 B-key (SATA)
Features	Optional 2.4" Touch Screen (320x240, Capacitive, 900 nits) Optional 802.11ac 1x1 Wi-Fi with BT 5.1 on CM4 Optional PoE PD (up to 802.3at at 25.5W) Optional TPM 2.0

Mechanical

Dimensions (WxHxD)	121 x 200 x 57.4 mm (4.76 x 7.87 x 2.26 in)
Mounting Options	DIN-mount Wall-mount

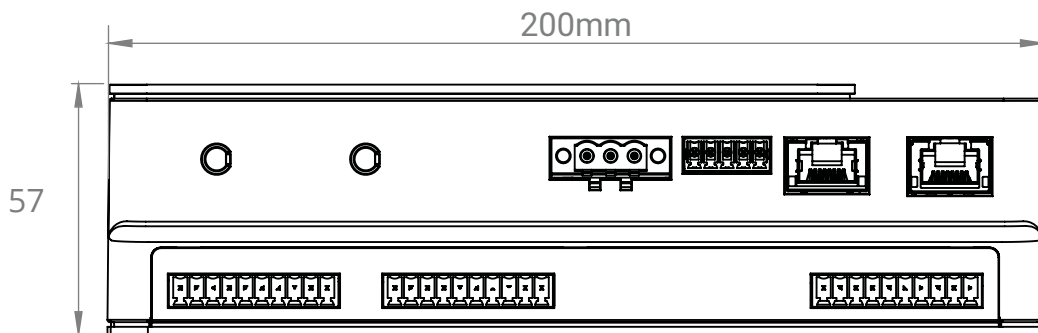
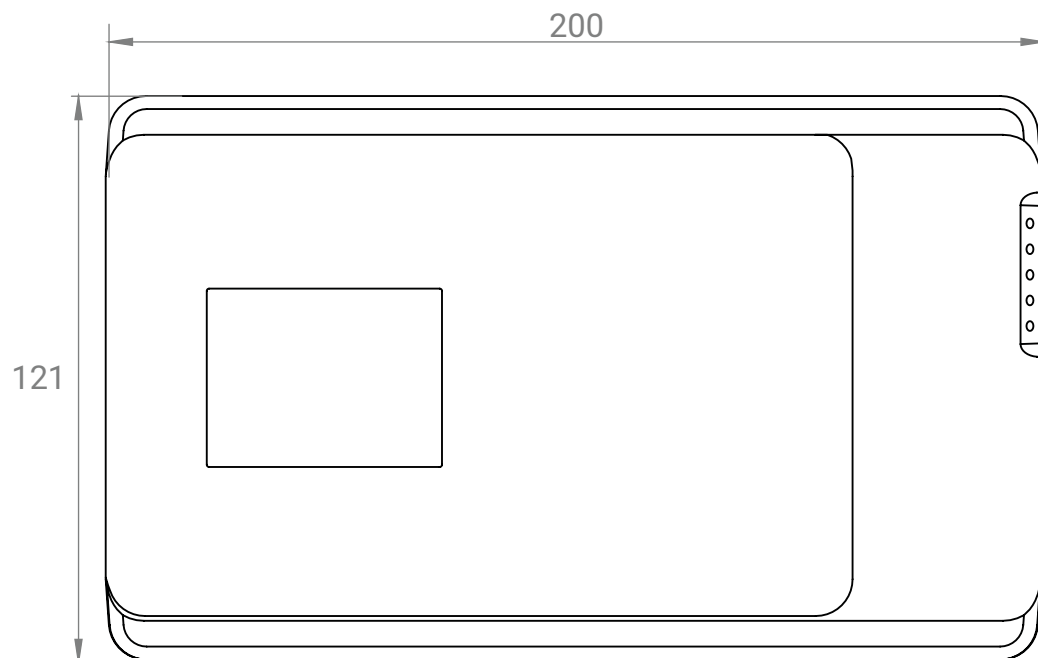
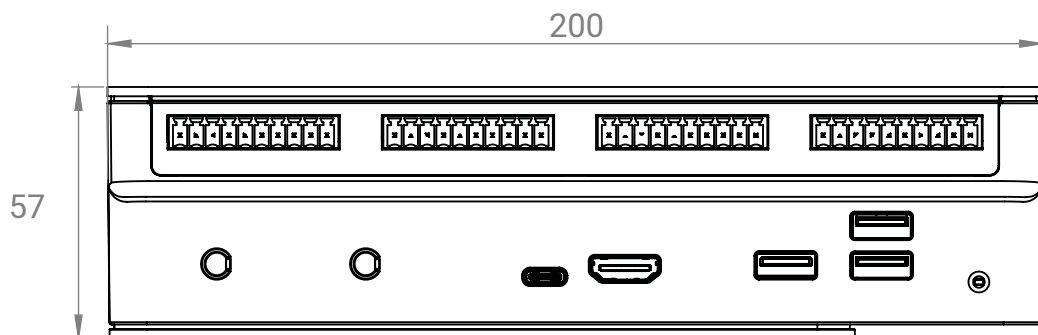
Environmental & Regulatory

Operating Temperature	20 ~ 60°C
Certifications	FCC 47 CFR Part 15 CE UL/ETL Listed configurations available CB scheme WEEE Directive (2002/96/EC) ErP Directive (2009/125/EC) Low Voltage Directive (2014/35/EU) Electromagnetic Compatibility Directive (2014/30/EU) Radio Equipment Directive (2014/53/EU) - For configurations with wireless transmitters RoHS 2 (2011/65/EU) RoHS 3 (2015/863/EU) REACH RCM VCCI-CISPR-32 EN 301 489-1 EN 301 489-17 EN 301 489-52 EN 55032 EN 55035 IEC 60601-1-2 (4th edition) IEC 60945 EN 62368-1 IEC 62368-1 UL 62368-1 UL/IEC/EN 61010-1 UL/IEC/EN 61010-2-201

FR 202 Dimensional Drawings

DIN Mounting

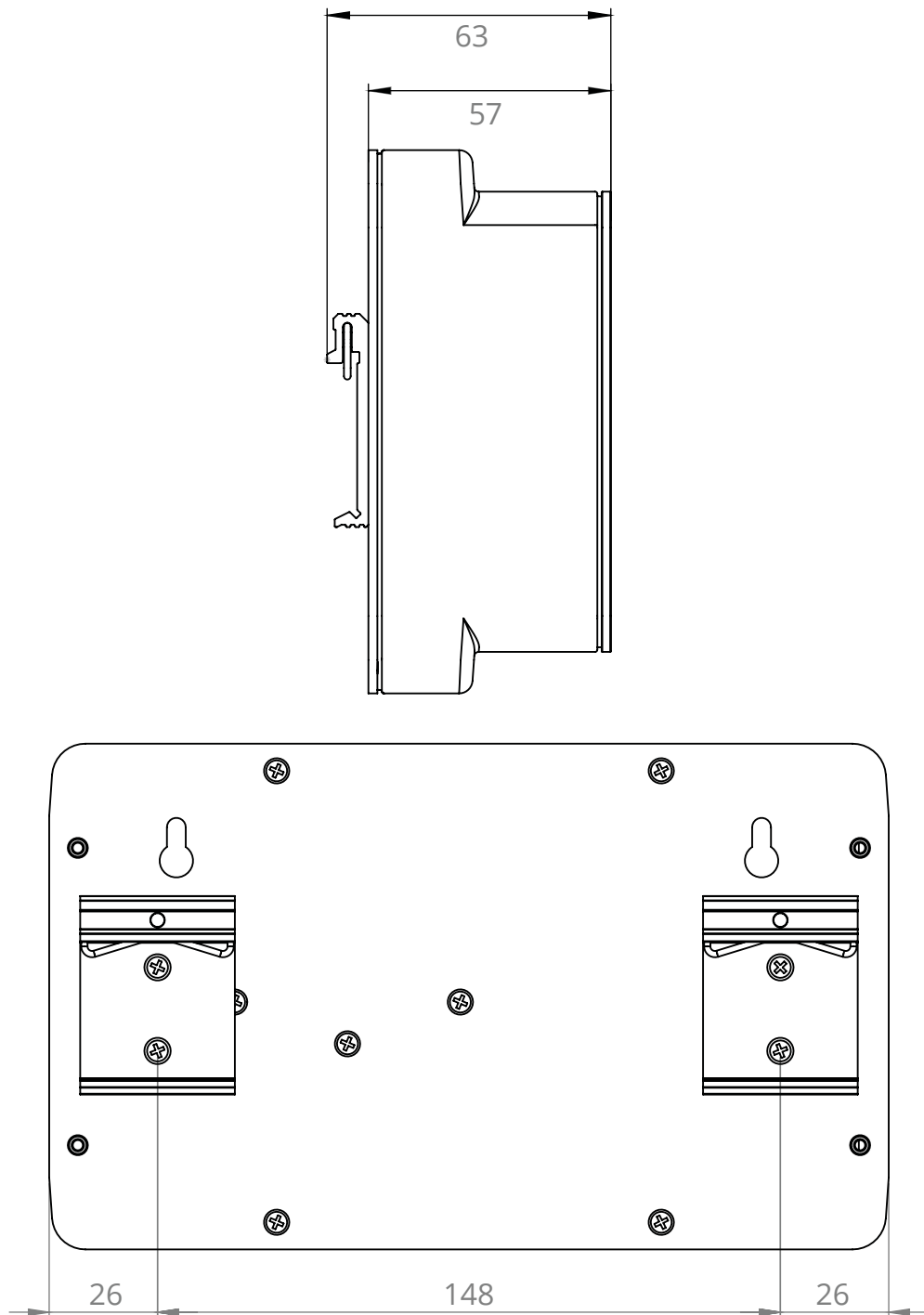
All measurements in mm



FR 202 Dimensional Drawings

DIN Mounting

All measurements in mm



FR 202 Dimensional Drawings

Wall Mounting

All measurements in mm

