

FR202

FR202 Raspberry Pi Industrial Controller

Factor 202 combines the Raspberry Pi compute Module 4 (CM4) with our industrial grade carrier board and Hardshell Fanless Technology. Onboard digital I/O and analog input, as well as an integrated 2.4" touchscreen, give you unmatched control over your application.

onlogic.com/fr202



RASPBERRY PI GOES INDUSTRIAL

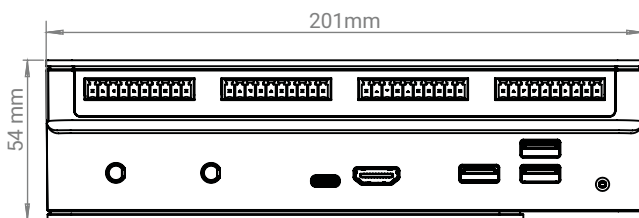
The Factor 202 is an ultra-compact industrial controller, powered by the Raspberry Pi Compute Module 4 (CM4). At the heart of Factor 202 is a Quad-Core ARM Cortex-A72 64-bit SoC with up to 8 GB of RAM, 32 GB of onboard eMMC storage and an M.2 SATA drive up to 2 TB.

ENGINEERED FOR RELIABILITY

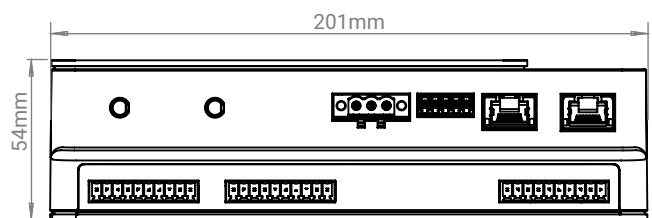
Fanless, solid state construction, an operating temperature range of -20° to 60°C, wide input power range, power over ethernet power delivery, and industrial components with long life cycles make Factor 202 an ideal industrial deployment platform.

INDUSTRY-FOCUSED I/O

Factor 202 gives you dual 1 GbE LAN, 1 RS-232/422/485 terminal block connector, 1x USB 3.2, 2x USB 2.0, 1x HDMI and 1 USB-C management port. In addition, 16x digital inputs and 16x digital outputs, as well as 4x analog inputs and a 2.4" touch screen, put you in full control of your installation.



TOP



BOTTOM

US Office

Phone: +1 802 861 2300 | Email: info@onlogic.com | www.onlogic.com

EU Office

Phone: +31 088 5200 700 | Email: info@onlogic.eu | www.onlogic.com

System

Processor	Raspberry Pi Compute Module 4 (CM4) with Broadcom BCM2711 Cortex-A72 (ARM v8)
Processor Cores	4
Processor Speed	1.5 GHz
Memory	Up to 8GB LPDDR4
Memory	LPDDR4 8 GB

Bottom I/O

Ethernet	2 1GbE LAN (Optional PoE PD Input)
Serial	1 RS-232/422/485 5-pin Terminal Block
Power	3-Pin Terminal Block Power Input (8~24 DC, 32W max draw)
Other	1 Reset Button 4 Analog Inputs 2x RTD Inputs I2C, SPI or Serial interface

Top I/O

USB	1 USB 3.2 Gen 1 Port 2 USB 2.0 Ports USB-C Port (CM4 management)
Video	1 HDMI Port
Other	16 Digital Inputs 16 Digital Outputs

Expansion & Features

Expansion & Storage	Onboard eMMC up to 32GB 1 M.2 3042/3052 B-key (USB 3.0 USB 2.0) 1 M.2 2280 B-key (SATA)
Features	Optional 2.4" Touch Screen (320x240, Capacitive, 900 nits) Optional 802.11ac 1x1 Wi-Fi with BT 5.1 on CM4 Optional PoE PD (up to 802.3at at 25.5W) Optional TPM 2.0

Mechanical

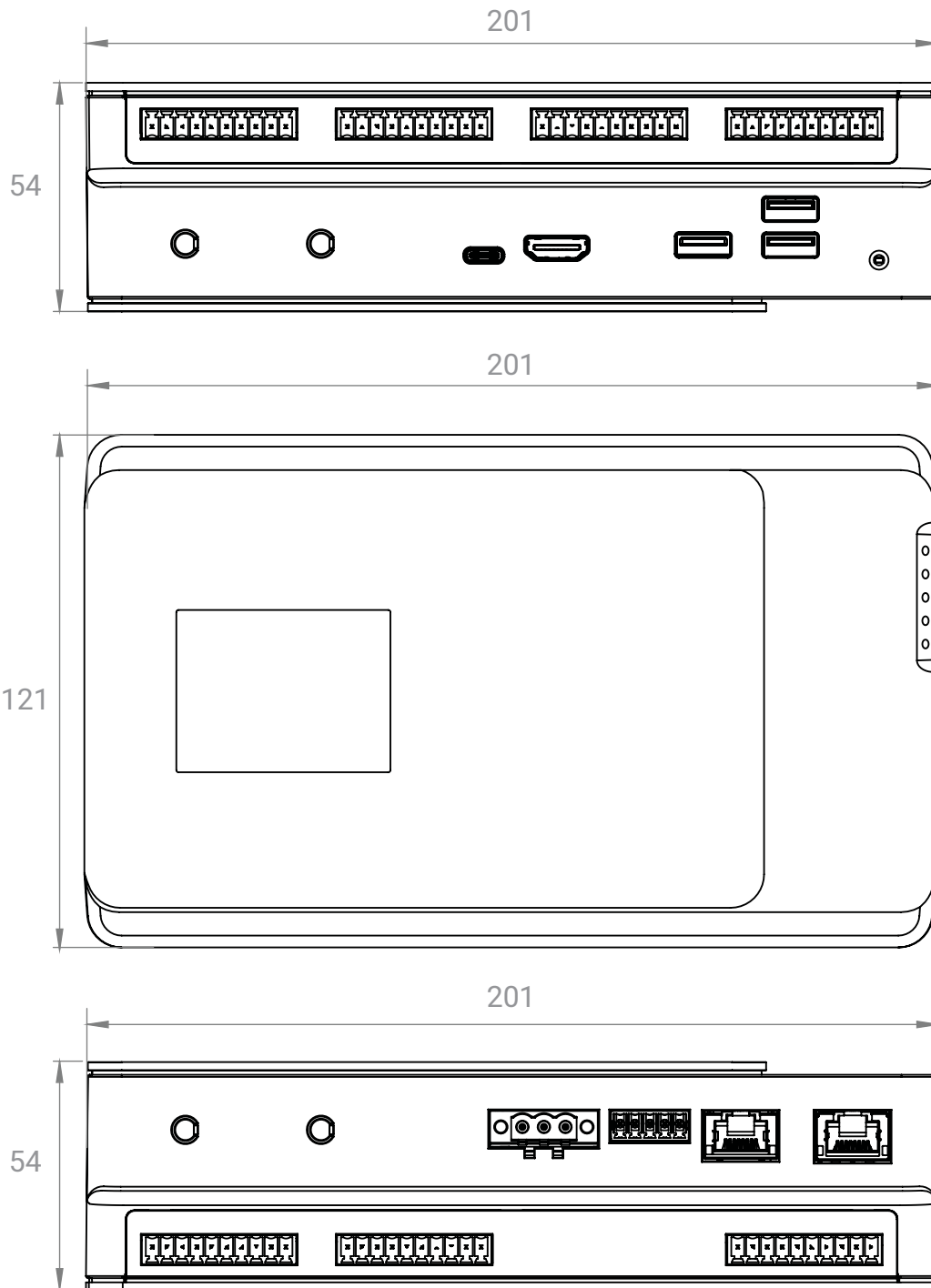
Dimensions (WxHxD)	121 x 201 x 54 mm (4.76 x 7.91 x 2.13 in)
Mounting Options	DIN-mount Wall-mount

Environmental & Regulatory

Operating Temperature	20 ~ 60°C
Certifications	FCC 47 CFR Part 15 CE UL/ETL Listed configurations available CB scheme WEEE Directive (2002/96/EC) ErP Directive (2009/125/EC) Low Voltage Directive (2014/35/EU) Electromagnetic Compatibility Directive (2014/30/EU) Radio Equipment Directive (2014/53/EU) - For configurations with wireless transmitters RoHS 2 (2011/65/EU) RoHS 3 (2015/863/EU) REACH RCM VCCI-CISPR-32 EN 301 489-1 EN 301 489-17 EN 301 489-52 EN 55032 EN 55035 IEC 60601-1-2 (4th edition) IEC 60945 EN 62368-1 IEC 62368-1 UL 62368-1 UL/IEC/EN 61010-1 UL/IEC/EN 61010-2-201

FR 202 Dimensional Drawings

All measurements in mm



US Office

Phone: +1 802 861 2300 | Email: info@onlogic.com | www.onlogic.com

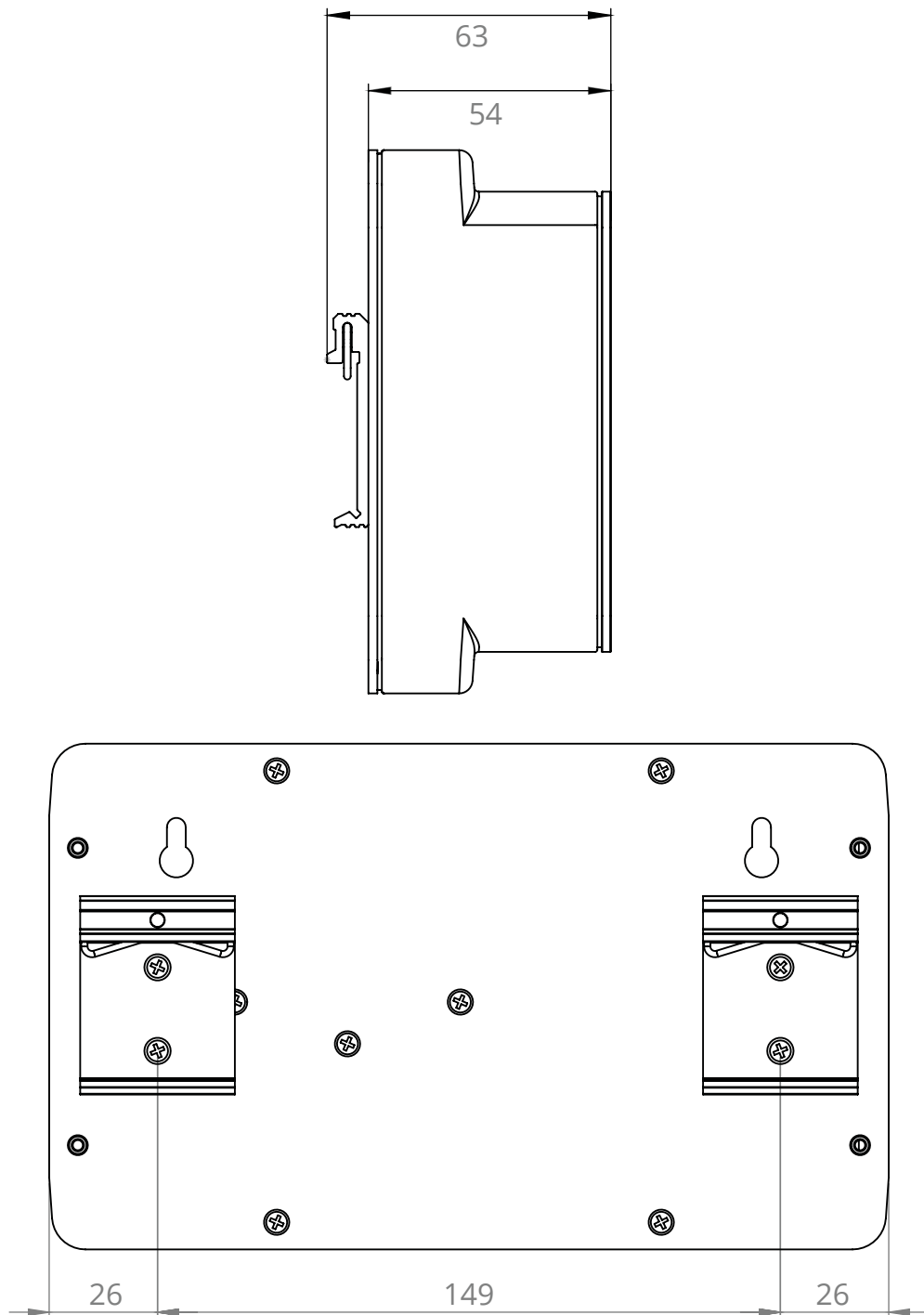
EU Office

Phone: +31 088 5200 700 | Email: info@onlogic.eu | www.onlogic.com

FR 202 Dimensional Drawings

DIN Mounting

All measurements in mm



FR 202 Dimensional Drawings

Wall Mounting

All measurements in mm

