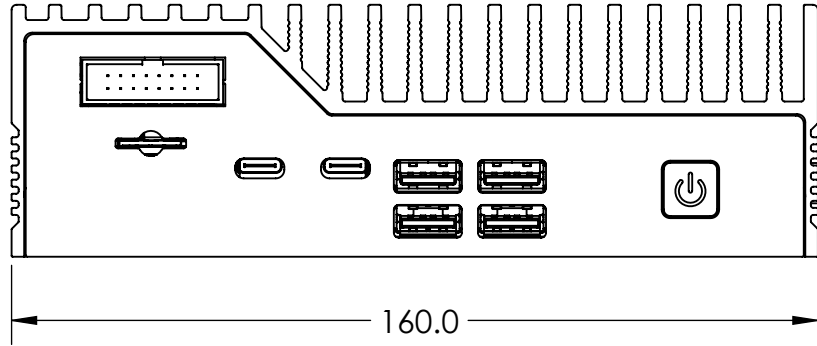


8 7 6 5 4 3 2 1

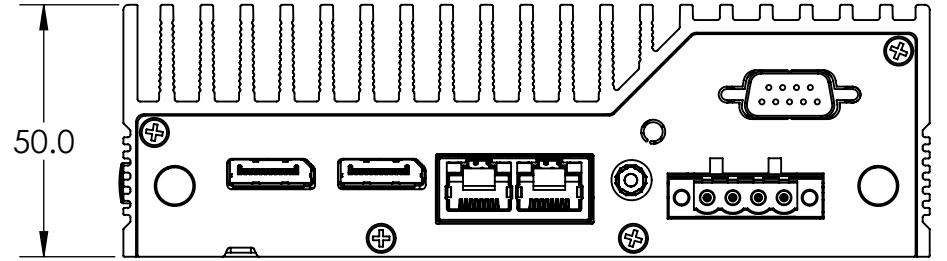
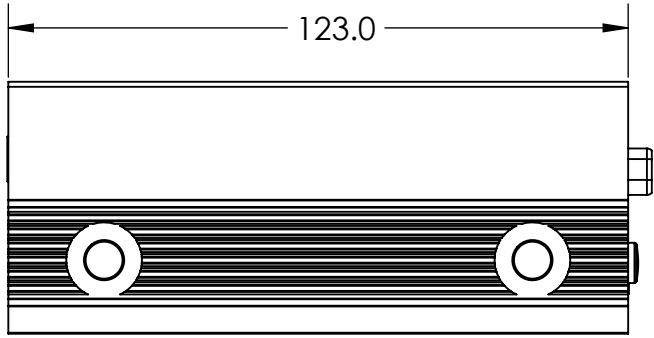
D

D



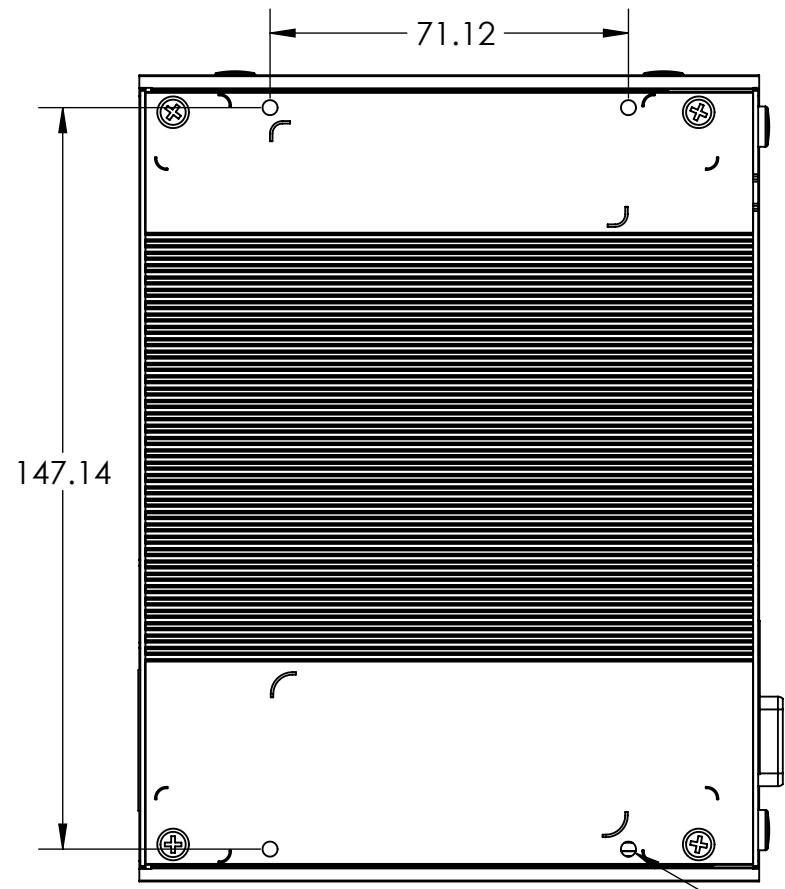
C

C



B

B



A

A

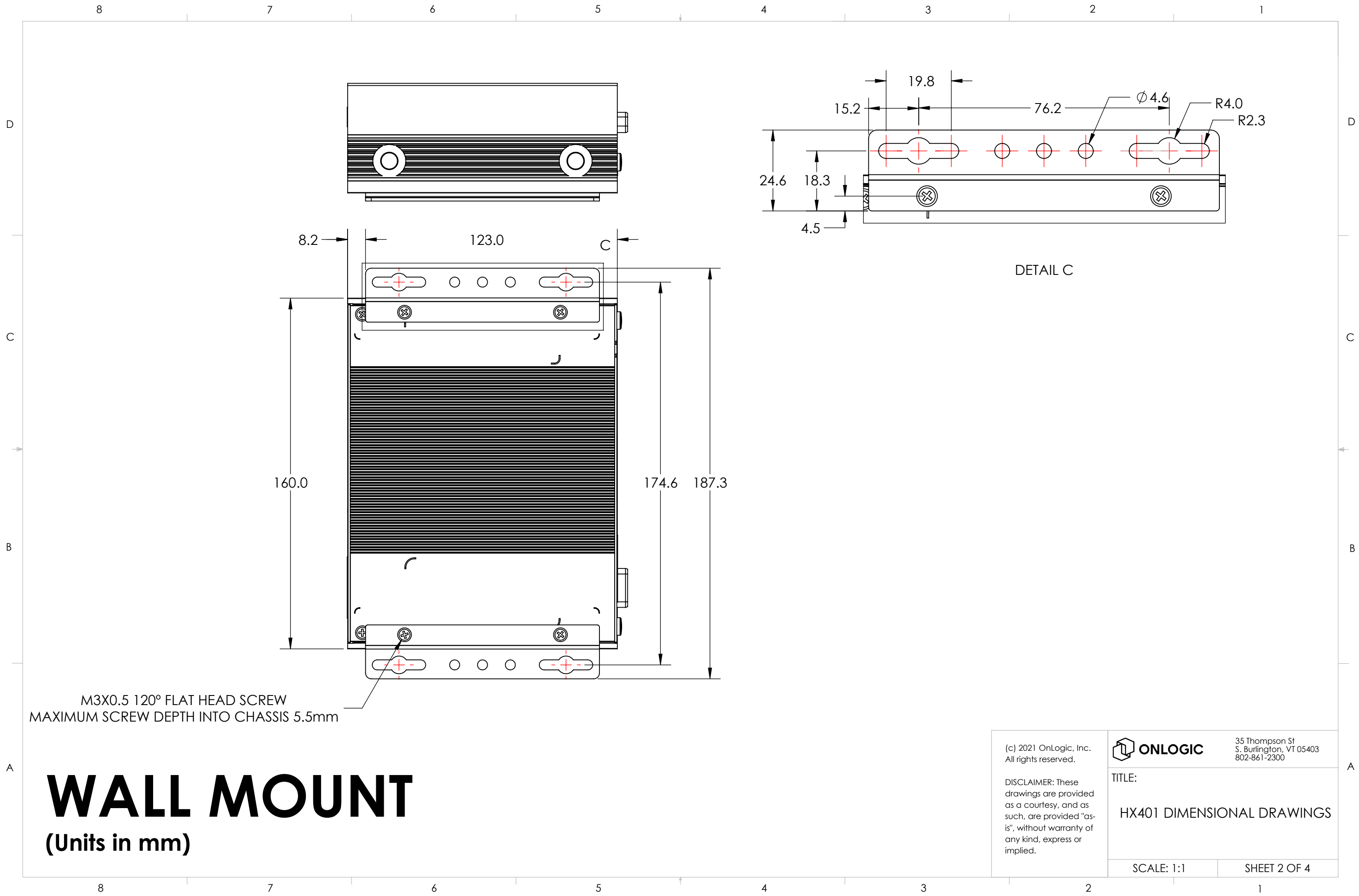
BASE SYSTEM

(Units in mm)

MAXIMUM SCREW DEPTH INTO CHASSIS 5.5mm

<p>(c) 2021 OnLogic, Inc. All rights reserved.</p> <p>DISCLAIMER: These drawings are provided as a courtesy, and as such, are provided "as-is", without warranty of any kind, express or implied.</p>	<p>35 Thompson St S. Burlington, VT 05403 802-861-2300</p>
	<p>TITLE:</p> <p>HX401 DIMENSIONAL DRAWINGS</p>
<p>SCALE: 1:2</p>	<p>SHEET 1 OF 4</p>


8 7 6 5 4 3 2 1



M3X0.5 120° FLAT HEAD SCREW
 MAXIMUM SCREW DEPTH INTO CHASSIS 5.5mm

WALL MOUNT

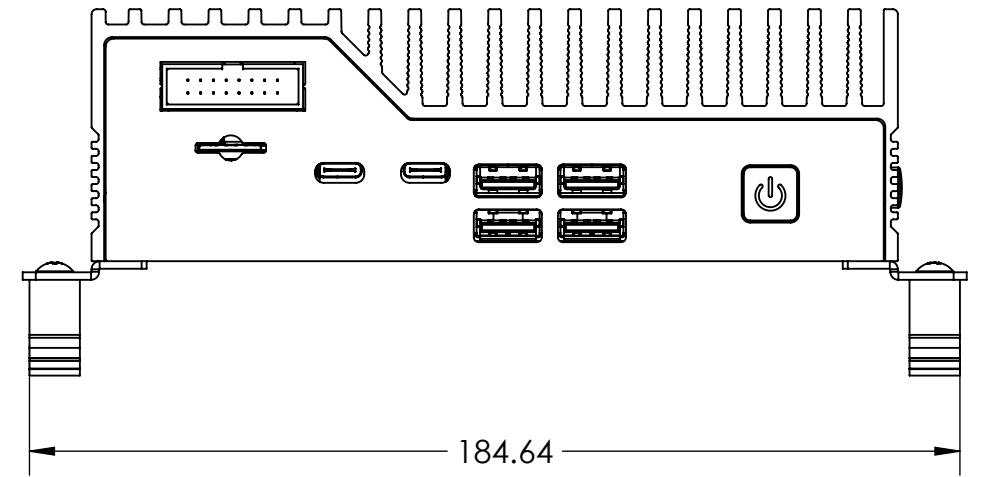
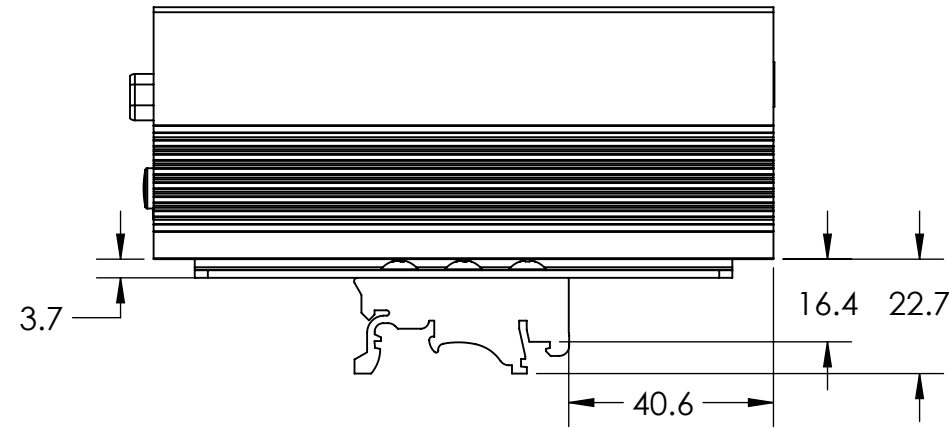
(Units in mm)

(c) 2021 OnLogic, Inc. All rights reserved. DISCLAIMER: These drawings are provided as a courtesy, and as such, are provided "as-is", without warranty of any kind, express or implied.	 35 Thompson St S. Burlington, VT 05403 802-861-2300	
	TITLE: HX401 DIMENSIONAL DRAWINGS	
SCALE: 1:1	SHEET 2 OF 4	

8 7 6 5 4 3 2 1

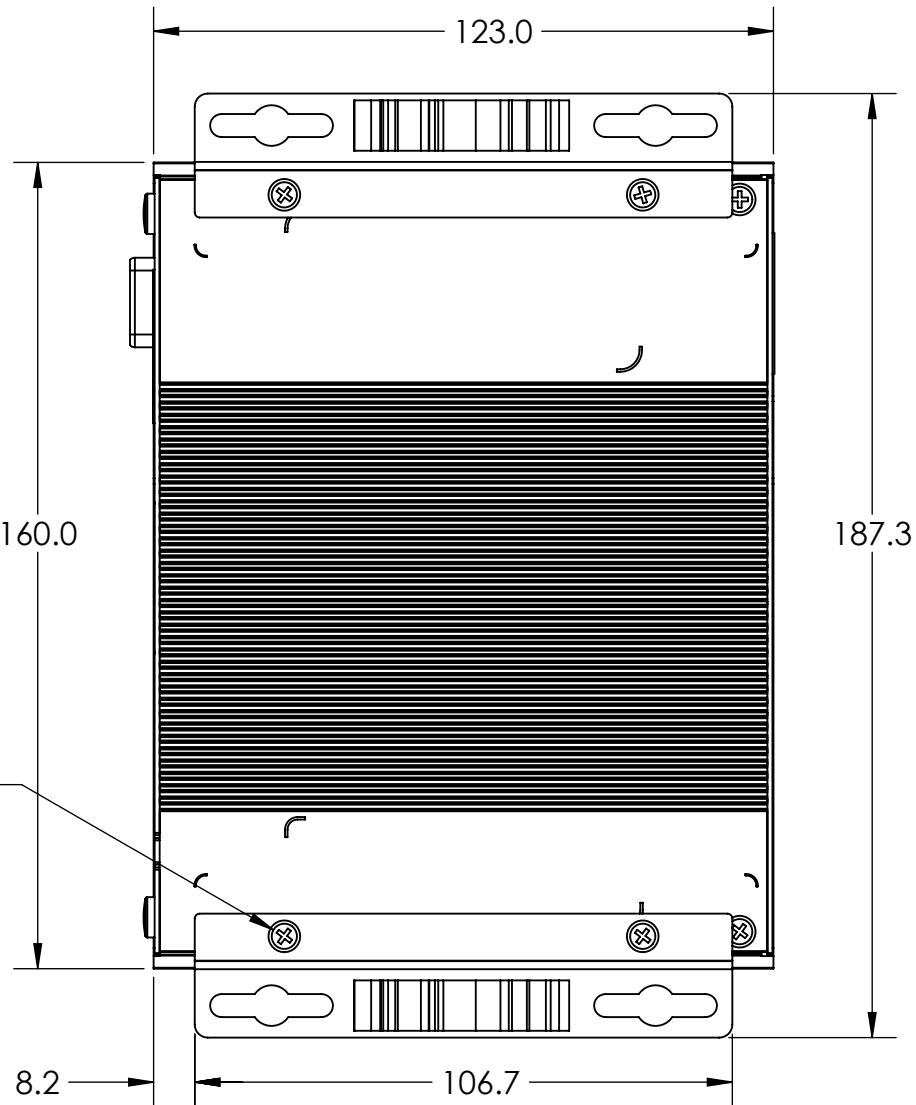
D

D



C

C



M3X0.5 120° FLAT HEAD SCREW
 MAXIMUM SCREW DEPTH INTO CHASSIS 5.5mm

B

B

A

A

DIN SYSTEM

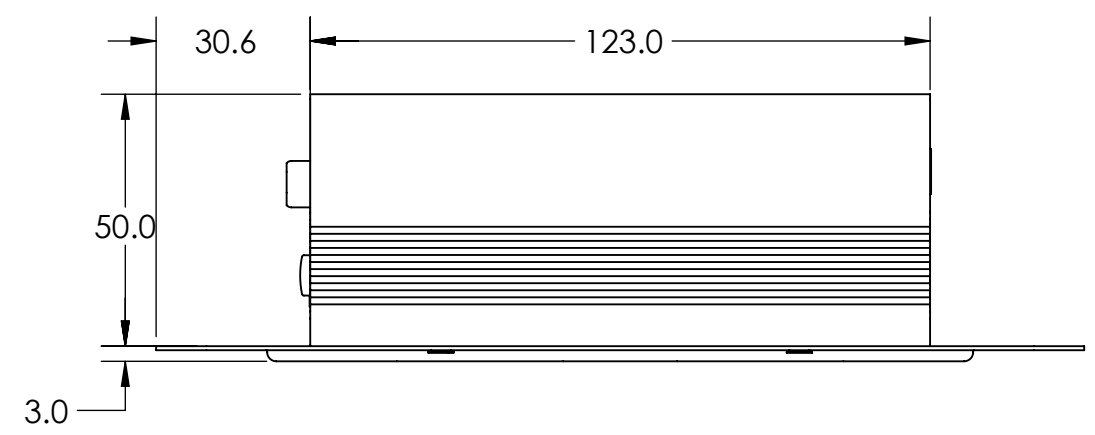
(Units in mm)

<p>(c) 2021 OnLogic, Inc. All rights reserved.</p> <p>DISCLAIMER: These drawings are provided as a courtesy, and as such, are provided "as-is", without warranty of any kind, express or implied.</p>	<p>ONLOGIC 35 Thompson St S. Burlington, VT 05403 802-861-2300</p>	
	<p>TITLE: HX401 DIMENSIONAL DRAWINGS</p>	
<p>SCALE: 1:1</p>		<p>SHEET 3 OF 4</p>

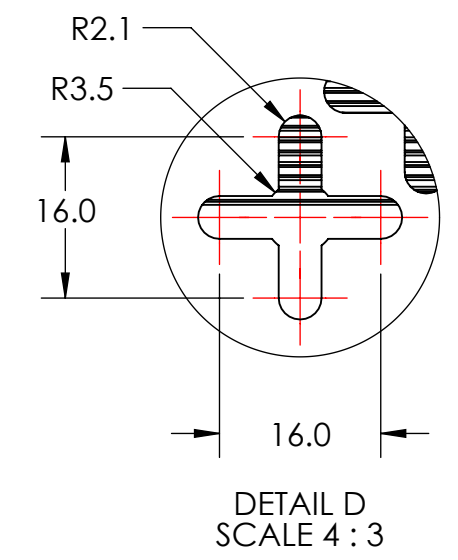
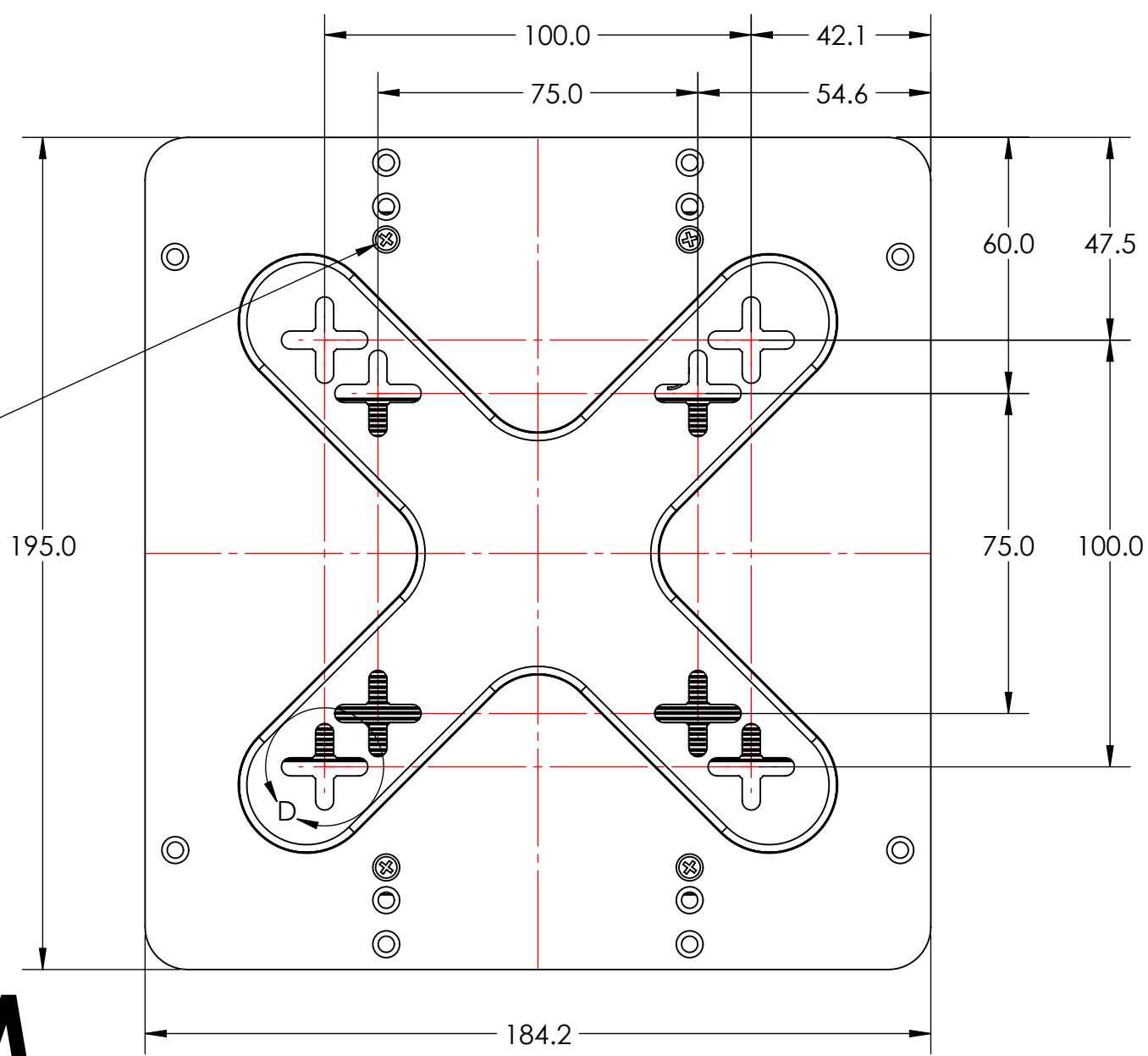
8 7 6 5 4 3 2 1

8 7 6 5 4 3 2 1

D
C
B
A



M3X0.5 120° FLAT HEAD SCREW
 MAXIMUM SCREW DEPTH INTO CHASSIS 5.5mm



VESA SYSTEM

(Units in mm)

(c) 2021 OnLogic, Inc. All rights reserved. DISCLAIMER: These drawings are provided as a courtesy, and as such, are provided "as-is", without warranty of any kind, express or implied.	35 Thompson St S. Burlington, VT 05403 802-861-2300	
	TITLE: HX401 DIMENSIONAL DRAWINGS	
SCALE: 1:1	SHEET 4 OF 4	

8 7 6 5 4 3 2 1