

HX511

OnLogic Helix 511 Fanless Intel® 12th Gen Edge Computer

The Helix 511 delivers ultra-reliable, fanless computing using Intel 12th Generation performance hybrid processing. The system is ideal for real-time decision making in automation applications, with support for four simultaneous serial connections.

onlogic.com/hx511



INTEL 12TH GEN PERFORMANCE HYBRID PROCESSING

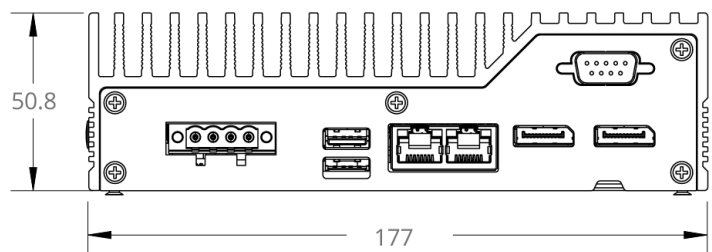
The Helix 511 can be configured with a range of Intel 12th Generation processors to match the demands of your application. Graphics are provided by the Intel Iris® Xe architecture, delivering up to 2.47x faster graphics than the previous processor generation.

HIGH-SPEED AND LEGACY SERIAL CONNECTIVITY

To support its varied application capabilities, two Thunderbolt 4 certified ports provide high-bandwidth connectivity to devices or displays, while up to four serial ports enable connectivity to legacy devices. Additionally, Helix 511 can be configured with onboard DIO to provide programmable signaling and control.

ENGINEERED TO LAST

The Helix 511 meets a wide range of industry-specific standards, and has undergone a variety of electromagnetic compatibility testing. The system is able to reliably operate in temperatures ranging from 0 to 50°C, can accept power input ranging from 12 to 24 Volts, and is Wall, VESA and DIN rail mountable.



US Office

Phone: +1 802 861 2300 | Email: info@onlogic.com | www.onlogic.com

EU Office

Phone: +31 088 5200 700 | Email: info@onlogic.eu | www.onlogic.com

System

Processor Generation	Intel 12th Generation (Alder Lake)
Graphics	Intel UHD Graphics (Celeron, Core i3) Intel Iris Xe Graphics (Core i5, Core i7 - Dual Channel memory required)
Memory	Up to 64 GB DDR5 4800 Memory
Number of Displays Supported	4

Front I/O

Power Button	Push
USB	4 USB 3.2 Gen 2 ports
SIM	1x micro SIM Card Slot
USB-C	Thunderbolt 4
DIO	1x 8-bit DIO port (Optional)
COM	Multi-COM and System Panel Connector (optional)

Rear I/O

USB	2x USB 3.2 Gen 2 ports
Ethernet	2 Gb LAN ports
Display	2x Display ports
Serial or CAN-Bus	1x DB9 COM (RS 232/422/485) or CAN port (optional)
Power	1x 12~24 V Terminal Block

Storage, Expansion & Management

Storage	2x M.2 2280 slots (NVMe PCIe x1/SATA)
Expansion	1x M.2 B-key 2242/52/80/3042/52 SATA/NVMe PCIe Gen 4 1x M.2 E-key 2230 for Wi-Fi/BT PCIe Gen 3
Remote Management	Intel vPro

Power Input

Source	12 ~ 24 V
Wattage	180~330 W

Mechanical & Weight

Dimensions (WxHxD)	8.86" x 2" x 6.97" 225 x 50.8 x 177 mm
Case Type	Fanless
Case Material	Aluminum and Steel
Weight	4.94 lbs 2.24 kgs
Mounting Options	DIN-mount VESA-mount Wall-mount
Expected Life Cycle	5 Years
Hardware Type	Edge Device

Environmental & Regulatory

Operating Temperature	0°C to 50°C
Certifications	FCC 47 CFR Part 15 (Class A) CAN ICES-003(A) / NMB-003(A) (Class A) CISPR 32 / 35 (EN 55032 / EN 55035 Class A) FCC/CE Class B upon request UL/EN/IEC 62368-1 (UL E490677) NRTL + CB UL/EN/IEC 60950-1 (UL E490677) NRTL + CB IEC 60601-1-2 (4th edition) IEC 60945 ETSI EN 301 489 (parts 1; 17; 52) ETSI EN 301 328 ETSI EN 301 893 ETSI EN 300 908 EN 62311:2020
Countries of Use	Certification Markings: FCC, CE, UKCA, CB, cULus, VCCI, RCM, CCC*, Rohns 3.0, WEEE Coming soon: BSMI, BIS, NOM equivalency Available Countries (incl Wifi/BT) Americas: Canada, United States Asia: Australia, China, Japan, New Zealand Europe: Austria, Belgium, Bulgaria, Croatia, Czech Republic, Cyprus, Denmark, Estonia, Finland, France, Germany, Greece, Hungary, Iceland, Ireland, Italy, Latvia, Lithuania, Liechtenstein, Luxembourg, Malta, Norway, The Netherlands, United Kingdom, Poland, Portugal, Romania, Slovakia, Slovenia, Spain, Sweden Coming soon: Taiwan, India, Mexico* Colocation approved countries (Wifi/BT + LTE): USA, CA, EU, UK, AUS/NZ Other countries available, please call.

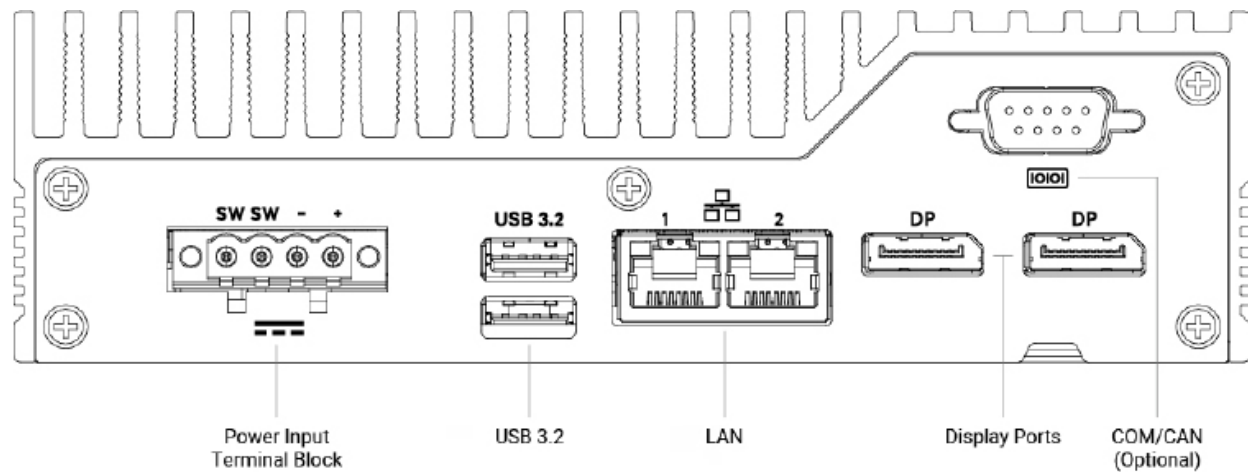
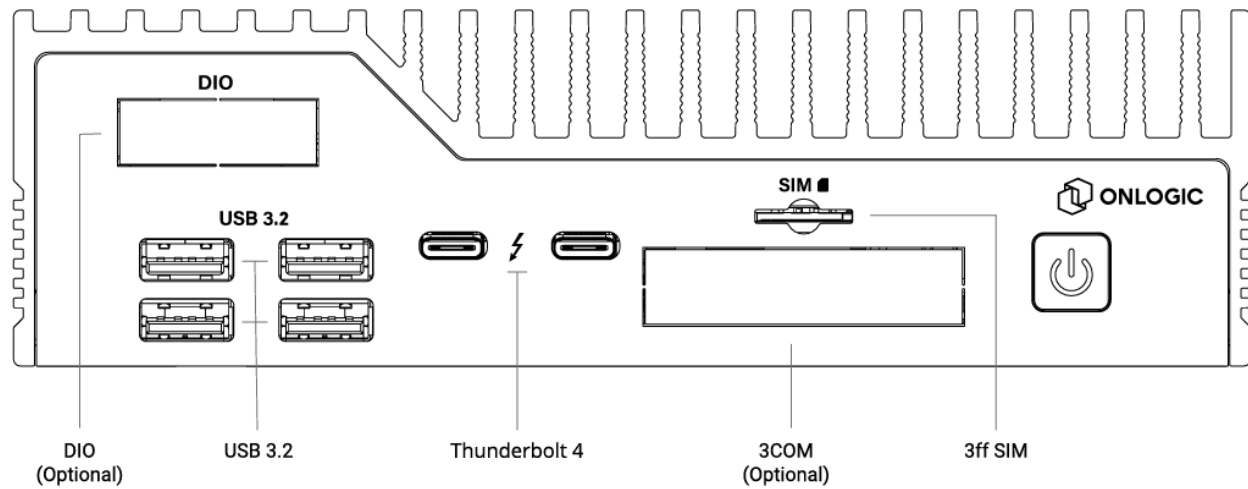
Other

Warranty	2 years included 3 or 5 year options available
----------	---

HX511 Dimensional Drawings

OnLogic Helix 511 Fanless Intel® 12th Gen Edge Computer

All measurements in mm



HX511 Dimensional Drawings

OnLogic Helix 511 Fanless Intel® 12th Gen Edge Computer

All measurements in mm

