

# IGN510

## AMD Ryzen Compact Fanless Edge Gateway with Ignition

The IGN510 puts the power of Ignition by Inductive Automation and AMD Ryzen™ in the palm of your hand.

[onlogic.com/ign510](http://onlogic.com/ign510)



### Powered by AMD Ryzen

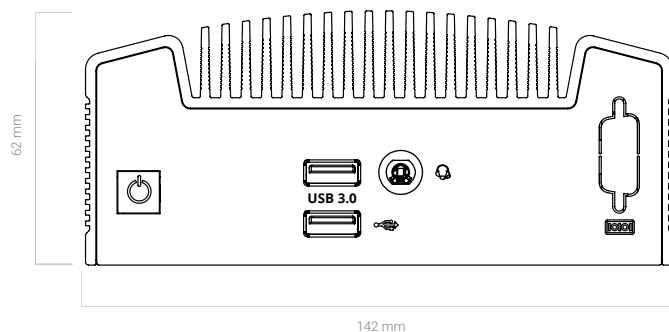
With an excellent cost-to-performance ratio, the IGN510 is available with either the dual-core R1505G or quad-core V1605B CPU with Radeon™ Vega 3 or 8 Graphics.

### Fanless Reliability

Solid-state industrial components, and an absence of any moving parts, significantly extend lifespan and allow the IGN510 to be installed anywhere.

### Industrial Connectivity

Dual LAN ports, fast M.2 storage, DIO, Wi-Fi/Bluetooth, and 4G LTE wireless, as well as triple independent display capabilities, ensure the IGN510 can adapt to any situation.



### US Office

Phone: +1 802 861 2300 | Email: [info@onlogic.com](mailto:info@onlogic.com) | [www.onlogic.com](http://www.onlogic.com)

### EU Office

Phone: +31 088 5200 700 | Email: [info@onlogic.eu](mailto:info@onlogic.eu) | [www.onlogic.com](http://www.onlogic.com)

System	
Processor	AMD Ryzen™ R1505G AMD Ryzen V1605B
Processor Speed	2.4 GHz Base, 3.3GHz Max (R1505G) 2 GHz Base, 3.6GHz Max (V1605B)
Processor Cores	2-4
Integrated Graphics	AMD Radeon™ Vega 3 Graphics (R1505G) AMD Radeon Vega 8 Graphics (V1605B)
Memory Capacity	DDR4 SO-DIMM (Non-ECC) 32 GB

Rear I/O	
Ethernet	2 GbE LAN with Realtek RTL8111G
USB	2 USB 3.1 Gen 1
Video	1 HDMI port 2 DisplayPort connectors
Power	DC jack

Front I/O	
USB	1 USB 3.1 2 USB 2.0
Serial	1 Optional RS-232/422/485 COM
Other	Audio jack (Line-In; Mic-In) Power button

Expansion & Features	
Expansion & Storage	1 M.2 E Key 2230 slot 1 M.2 2280 PCIe x4/SATA slot

Mechanical	
Dimensions (WxHxD)	142 x 62 x 107 mm (5.6 x 2.4 x 4.2 in)
Mounting Options	DIN VESA Wall

Environmental & Regulatory	
Operating Temperature	-0°C ~ 50°C
Certifications	FCC 47 CFR Part 15 CE WEEE Directive (2002/96/EC) ErP Directive (2009/125/EC) RoHS 2 (2011/65/EU) REACH EN 55024 EN 55032 EN 55035 EN 62368-1

## US Office

Phone: +1 802 861 2300 | Email: info@onlogic.com | www.onlogic.com

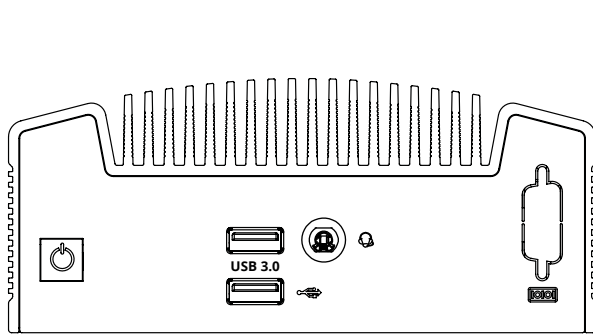
## EU Office

Phone: +31 088 5200 700 | Email: info@onlogic.eu | www.onlogic.com

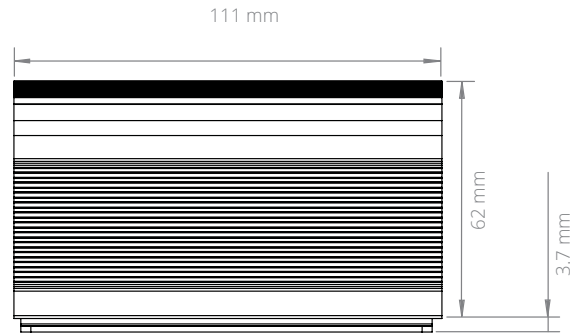
## IGN510 Dimensional Drawings

AMD Ryzen Compact Fanless Edge Gateway with Ignition

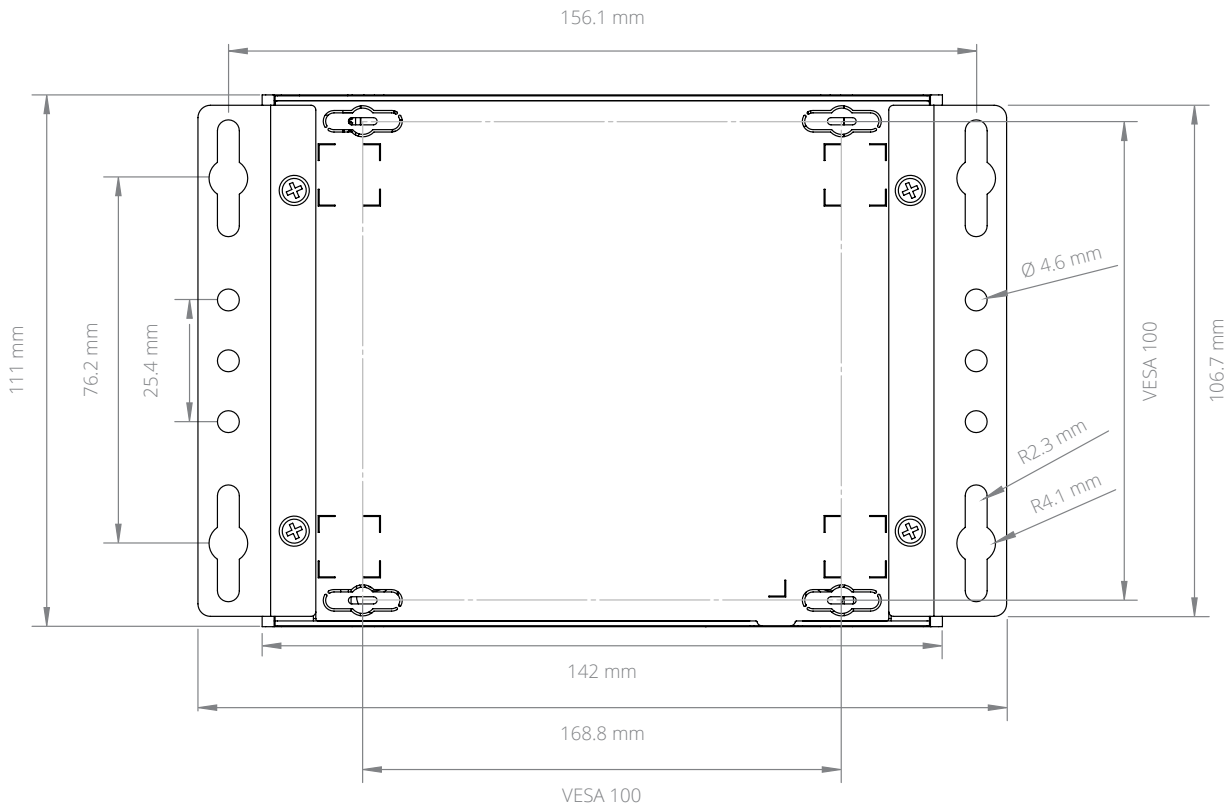
All measurements in mm



FRONT



SIDE



BOTTOM

### US Office

Phone: +1 802 861 2300 | Email: [info@onlogic.com](mailto:info@onlogic.com) | [www.onlogic.com](http://www.onlogic.com)

### EU Office

Phone: +31 088 5200 700 | Email: [info@onlogic.eu](mailto:info@onlogic.eu) | [www.onlogic.com](http://www.onlogic.com)