

# IGN800

## Industrial Raspberry Pi IoT Gateway with Ignition

Certified for Inductive Automation's Ignition Edge, the IGN800 combines the Raspberry Pi Compute Module 4 with our industrial grade custom carrier board to create a compact, ARM-powered Ignition Edge solution.

[onlogic.com/ign800](https://onlogic.com/ign800)



### RASPBERRY PI GOES INDUSTRIAL

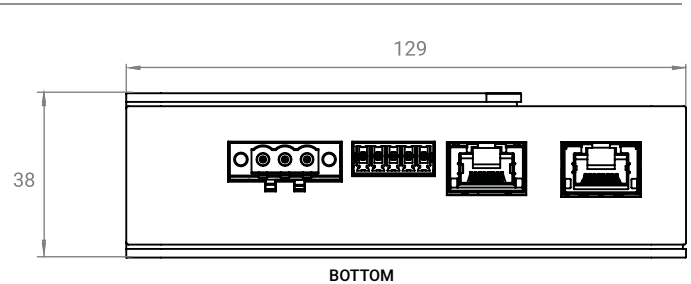
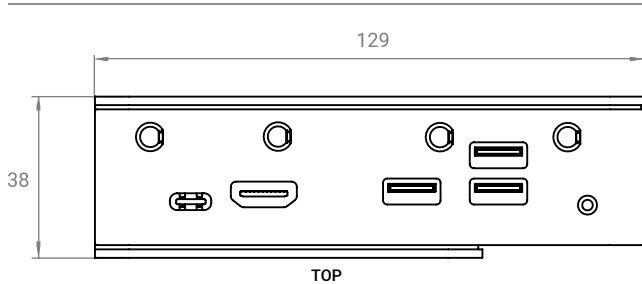
At the heart of the IGN800 is a Quad-Core ARM Cortex-a72 64-bit Soc. Up to 8 GB of RAM, 32 GB of onboard eMMC storage, and an M.2 SATA drive up to 2 TB allow you to configure your ideal palm-sized industrial controller, edge gateway, or IoT device.

### ENGINEERED FOR RELIABILITY

Fanless, solid state construction, an operating temperature range of -20° to 60°C, wide input power range, power over ethernet power delivery, and industrial components with long lifecycles make the IGN800 an ideal industrial deployment platform.

### EASY TO INTERFACE

To ensure ease of connectivity, the IGN800's custom carrier board gives you dual 1 GbE LAN ports, 1x RS-232/422/485 terminal block connector, 1x USB 3.2 port, 2x USB 2.0 ports, 1x HDMI port, and 1 USB-C configuration port.



#### US Office

Phone: +1 802 861 2300 | Email: [info@onlogic.com](mailto:info@onlogic.com) | [www.onlogic.com](http://www.onlogic.com)

#### EU Office

Phone: +31 088 5200 700 | Email: [info@onlogic.eu](mailto:info@onlogic.eu) | [www.onlogic.com](http://www.onlogic.com)

| System          |   |
|-----------------|---|
| Processor       | Raspberry Pi Compute Module 4 (CM4) with Broadcom BCM2711 Cortex-A72 (ARM v8) |
| Processor Cores | 4   |
| Processor Speed | 1.5 GHz   |
| Memory          | Up to 8 GB LPDDR4 on CM4  |

| Top I/O |  |
|---------|--|
| USB     | 2 USB 2.0 Ports<br>1 USB 3.2 Gen 1 Port<br>USB-C Port (CM4 management) |
| Video   | 1 HDMI Port  |
| Other   | 1 Reset Button   |

| Bottom I/O |   |
|------------|---|
| Ethernet   | 2 1GbE LAN (Optional PoE PD Input)                    |
| Power      | 3-Pin Terminal Block Power Input (12~24V DC, 22W max) |
| Serial     | 1 RS-232/422/485 5-pin Terminal Block                 |

| Expansion & Features |  |
|----------------------|--|
| Expansion & Storage  | Up to 32GB eMMC on CM4<br>1 M.2 2280 B-key (SATA)<br>1 M.2 3042/3052 B-key (USB 3.0, USB 2.0)                  |
| Features             | Optional 802.11ac 1x1 Wi-Fi with BT 5.1 on CM4<br>Optional PoE PD (up to 802.3at at 25.5W)<br>Optional TPM 2.0 |

| Mechanical         |  |
|--------------------|--|
| Dimensions (WxHxD) | 102.5 x 129 x 38 mm<br>4.04 x 5.08 x 1.50 in         |
| Mounting Options   | DIN Rail (Edge or Back)<br>Wall-mount (Edge or Back) |

| Environmental & Regulatory |  |
|----------------------------|--|
| Operating Temperature      | -20 ~ 60°C   |
| Certifications             | FCC 47 CFR Part 15<br>CE<br>RCM<br>UKCA<br>VCCI<br>ISED ICES-003<br>WEEE Directive (2002/96/EC)<br>Low Voltage Directive (2014/35/EU)<br>Electromagnetic Compatibility Directive (2014/30/EU)<br>Radio Equipment Directive (2014/53/EU)<br>RoHS 3 (2015/863/EU)<br>REACH<br>EN 55011<br>EN 55032<br>EN 55035<br>EN 60601-1-2 4th Edition<br>EN 60945 4th Edition<br>EN 62368-1<br>UL 61010-1<br>UL 61010-2-201<br>Some certifications configuration dependent. |

## US Office

Phone: +1 802 861 2300 | Email: info@onlogic.com | www.onlogic.com

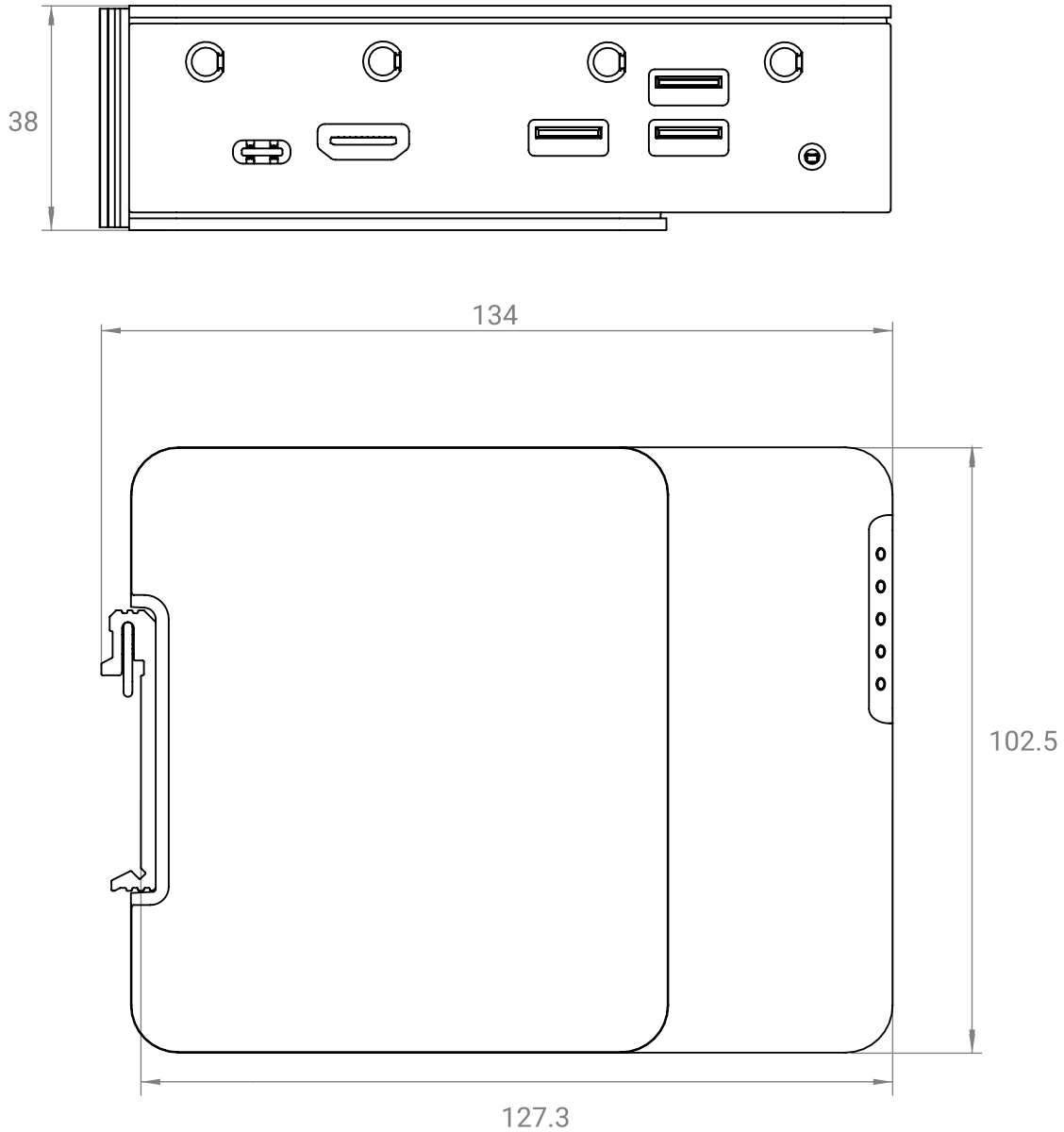
## EU Office

Phone: +31 088 5200 700 | Email: info@onlogic.eu | www.onlogic.com

## The IGN800 DIN Mount Dimensional Drawings

Raspberry Pi Industrial IoT Gateway

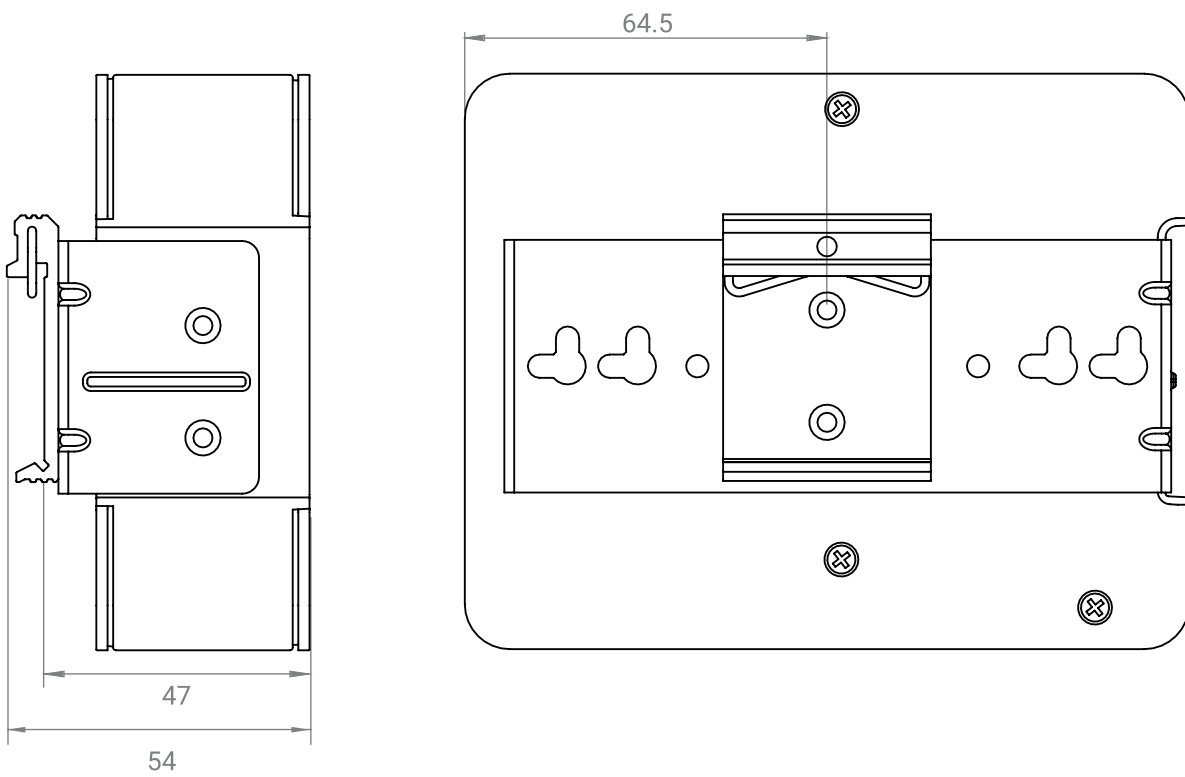
All measurements in mm



## The IGN800 Dimensional Drawings

Back DIN Mount

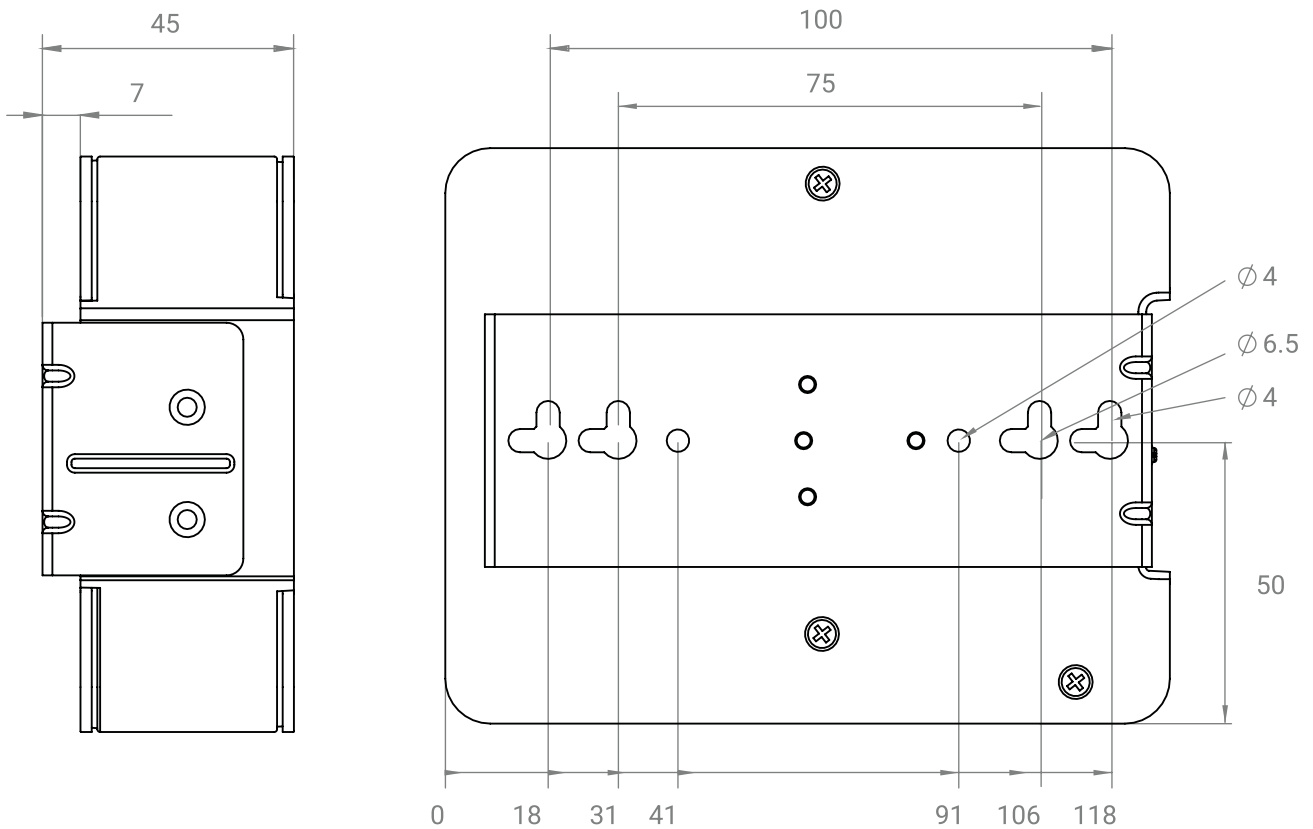
All measurements in mm



## The IGN800 Dimensional Drawings

Back Wall Mount

All measurements in mm



## The IGN800 Dimensional Drawings

Edge Wall Mount

All measurements in mm

