

IGN802

IGN802 Raspberry Pi Industrial Controller with Ignition Edge

Based on our Factor 202, the OnLogic IGN802 is equipped with an embedded Raspberry Pi Compute Module 4 (CM4) and comes preloaded with Ignition Edge from Inductive Automation.

onlogic.com/ign802



PURPOSE BUILT FOR IIOT APPLICATIONS

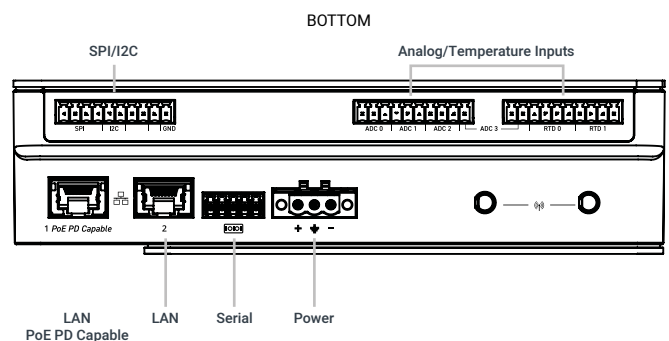
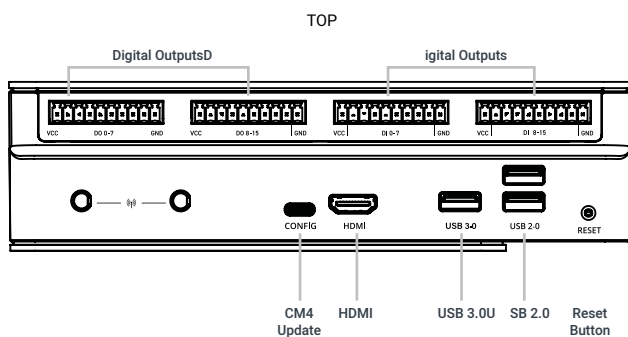
The IGN802 is a turn-key certified Inductive Automation industrial controller based on our popular Factor 202 and powered by a Raspberry Pi Compute Module 4 (CM4). You can configure the system with up to 8 GB of RAM, 32 GB of onboard eMMC storage and an M.2 SATA drive up to 2 TB.

ROBUST RANGE OF CONNECTIVITY

Our custom designed carrier board features dual 1 GbE LAN ports, an RS-232/422/485 terminal block connector, a USB 3.2 port, 2x USB 2.0 ports, HDMI, and a USB-C management port, used to configure the CM4 module. The IGN802 is an optionally PoE powered device (803.2at) and can also be configured with an integrated cellular modem, pre-certified to operate on many of the world's most popular cellular carrier networks.

HUMAN MACHINE INTERFACE AND CONTROL

With 16x digital inputs, 16x digital outputs, 4x analog inputs and a 2.4" capacitive touch screen, you have the ability to receive data, program customized input screens and interface with Programmable Logic Controllers (PLCs). Whatever you need to control or connect to, the IGN802 is ready.



US Office

Phone: +1 802 861 2300 | Email: info@onlogic.com | www.onlogic.com

EU Office

Phone: +31 088 5200 700 | Email: info@onlogic.eu | www.onlogic.com

System	
Processor	Broadcom BCM2711 Cortex-A72
Processor Cores	4
Processor Speed	1.5 GHz
Memory Capacity	8 GB
Memory Type	LPDDR4
Memory Speed	3200 MHz
Number of Displays Supported	1

Top I/O	
USB	1 USB 3.2 Gen 1 Port 2 USB 2.0 Ports 1 USB-C Port (CM4 Programming) 1 Reset button
Video	1 HDMI Port
Other	16 Digital Inputs 16 Digital Outputs

Bottom I/O	
Ethernet	2 1GbE LAN (Optional PoE PD Input)
Serial	1 RS-232/422/485 5-pin Terminal Block
Power	3-Pin Terminal Block Power Input (8~24 DC, 32W max draw)
Other	1 Reset Button 4 Analog Inputs 2 Temperature inputs (RTD100/1000) 1 SPI/I2C/UART/RS485 Header

Other	
Warranty	2 Year Limited Warranty on parts and services

Expansion & Features	
Storage	Onboard eMMC up to 32GB 1 M.2 2280 B-key (SATA)
Expansion	1 M.2 3042/3052 B-key (USB 3.0 USB 2.0)
LAN Controller	Realtek RTL8153
Input Voltage	8 ~ 24 VDC
Power Input	3-pin Terminal Block PoE PD 802.3at (Optional)
Case Type	Compact Fanless
Case Material	Aluminum Plastic
Port Punchouts	4 Antenna Holes

Mechanical	
Dimensions (WxHxD)	121 x 200 x 57.4 mm (4.76 x 7.87 x 2.26 in)
Mounting Options	DIN-mount Wall-mount

Environmental & Regulatory	
Operating Temperature	-20 ~ 60°C
Operating Humidity	10% ~ 95% (non-condensing)
Certifications	FCC 47 CFR Part 15 CE UL/ETL Listed configurations available CB scheme WEEE Directive (2002/96/EC) ErP Directive (2009/125/EC) Low Voltage Directive (2014/35/EU) Electromagnetic Compatibility Directive (2014/30/EU) Radio Equipment Directive (2014/53/EU) - For configurations with wireless transmitters RoHS 2 (2011/65/EU) RoHS 3 (2015/863/EU) REACH RCM VCCI-CISPR-32 EN 301 489-1 EN 301 489-17 EN 301 489-52 EN 55032 EN 55035 IEC 60601-1-2 (4th edition) IEC 60945 EN 62368-1 IEC 62368-1 UL 62368-1 UL/IEC/EN 61010-1 UL/IEC/EN 61010-2-201

US Office

Phone: +1 802 861 2300 | Email: info@onlogic.com | www.onlogic.com

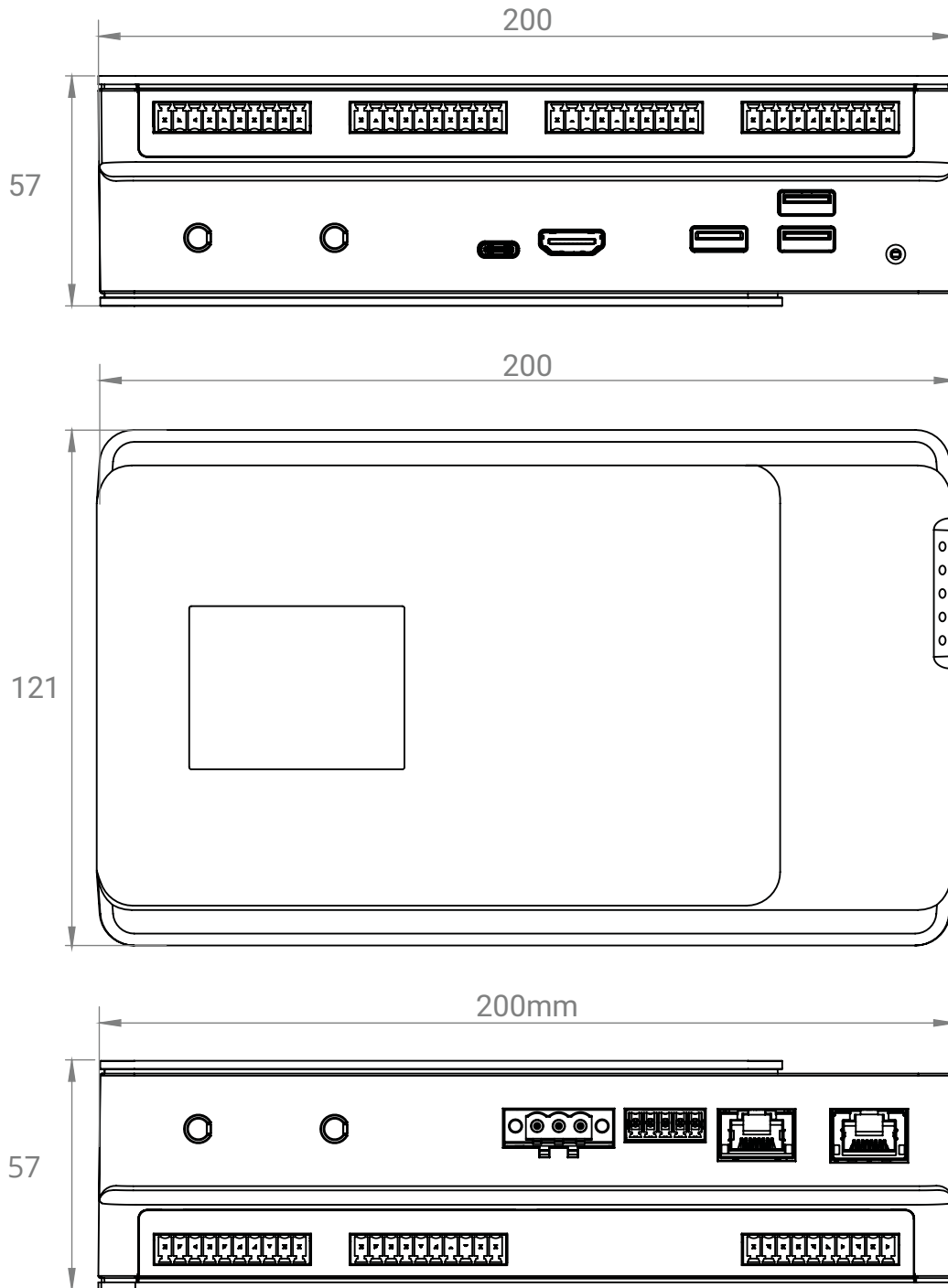
EU Office

Phone: +31 088 5200 700 | Email: info@onlogic.eu | www.onlogic.com

IGN802 Dimensional Drawings

DIN Mounting

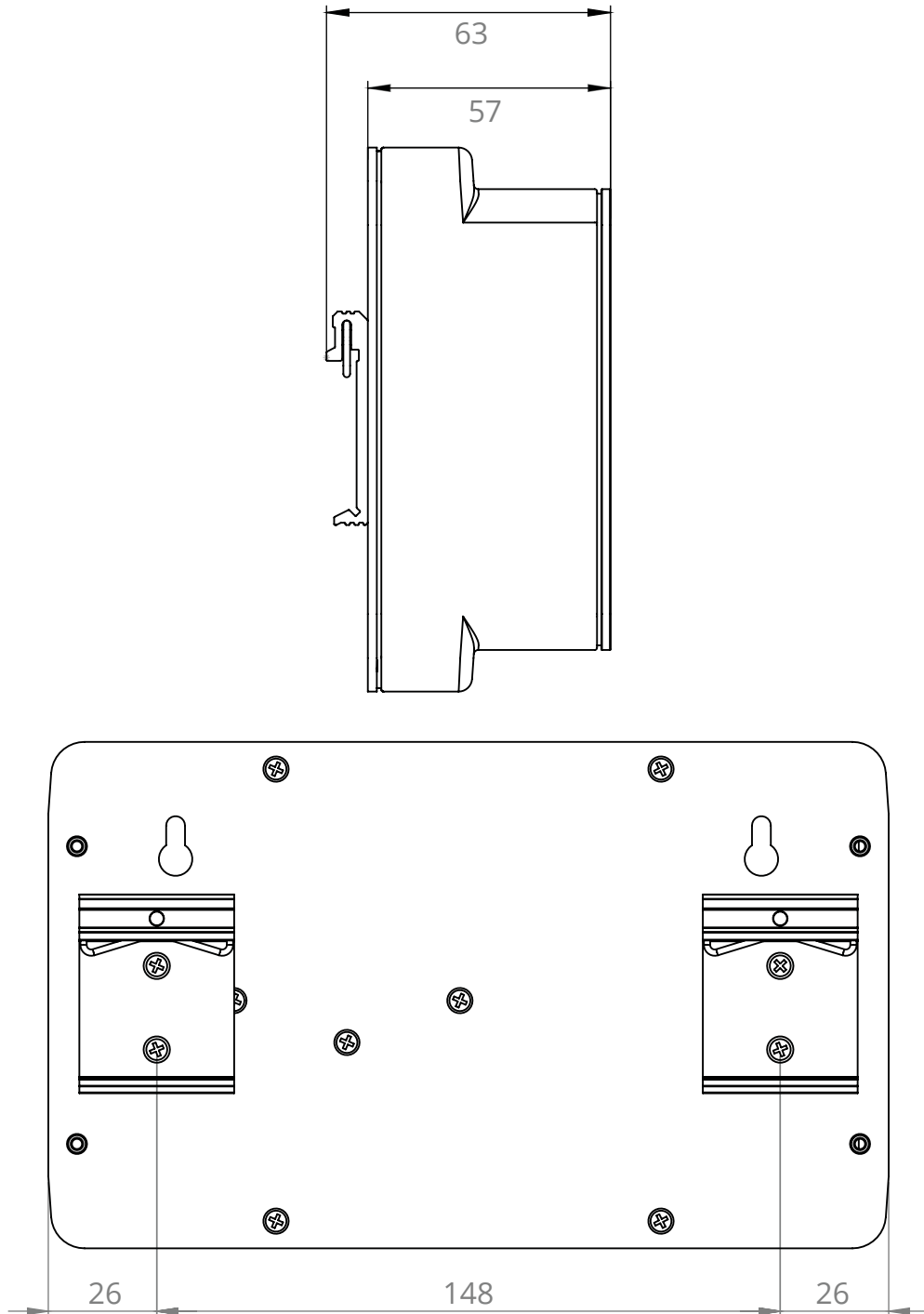
All measurements in mm



IGN802 Dimensional Drawings

DIN Mounting

All measurements in mm



IGN802 Dimensional Drawings

Wall Mounting

All measurements in mm

