



# A Versatile Mini-ITX PC.

A feature-rich system in a compact, durable enclosure, the MC500 combines the popular Mini-ITX form factor with a carefully engineered, actively cooled chassis.

[onlogic.com/mc500-series](https://onlogic.com/mc500-series) >



## Built for Commercial Use

With a range of Intel® processor options, and long lifecycle components, the MC500 Series is both flexible and efficient.

## Right Size for the Job

Small form factor doesn't have to mean limited capabilities. The MC500 combines the power of a traditional PC and the flexibility of a compact, all steel chassis.

## Interface With Anything

The MC500 Series was built with commercial applications in mind, offering a wide range of modern and legacy connectivity.

### US Office

Phone: +1 802 861 2300  
Email: [info@onlogic.com](mailto:info@onlogic.com)  
[www.onlogic.com](http://www.onlogic.com)

### EU Office

Phone: +31 088 5200 700  
Email: [info@onlogic.eu](mailto:info@onlogic.eu)  
[www.onlogic.com](http://www.onlogic.com)

## Commercial Intel® Skylake Mini-ITX Computer

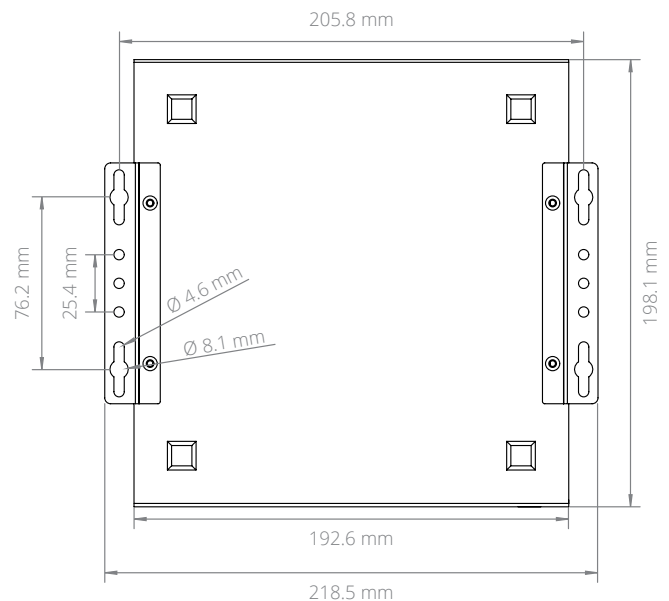
Specifications

MC500-51

<b>Processor</b>	Intel Celeron Intel Pentium Intel Core i3/i5/i7	<b>Expansion Options</b>	1 PCIe Mini Card slot (full/half height)
<b>Processor Speed</b>	2.3 ~ 3.3 GHz	<b>Storage Options</b>	2.5" HDD/SSD mSATA
<b>Processor Generation</b>	Skylake	<b>LAN Controller</b>	Intel I210 GbE Intel I219V
<b>Processor Cores</b>	2 ~ 4	<b>Input Voltage</b>	12 VDC
<b>Graphics / GPU</b>	Intel HD Graphics 510 Intel HD Graphics 530	<b>Power Input</b>	DC jack
<b>Memory</b>	DDR4 SO-DIMM (non-ECC) Up to 32 GB	<b>Operating Temp. Range</b>	0 ~ 50°C
<b>Rear I/O</b>	1 HDMI port 1 DisplayPort 1 VGA port 4 USB 3.0 ports 2 Gb LAN ports 1 RS-232 COM port 1 RS-232/422/485 COM port 2 Audio jacks; line-out, mic-in	<b>Dimensions (WxHxD)</b>	192.6 x 59.3 x 198.1 mm
<b>Front I/O</b>	2 USB 2.0 ports Power button	<b>Mounting Options</b>	DIN-mount VESA-mount Wall-mount
		<b>Regulatory Information</b>	2011/65/EU (RoHS 2 Directive) CE EN 55022 EN 55024 EN 55032 EN 60950-1 EN 62368-1 FCC 47 CFR Part 15

## Dimensional Drawings

All measurements in mm



[onlogic.com/mc500-51](http://onlogic.com/mc500-51) ➔

### US Office

Phone: +1 802 861 2300  
Email: [info@onlogic.com](mailto:info@onlogic.com)  
[www.onlogic.com](http://www.onlogic.com)

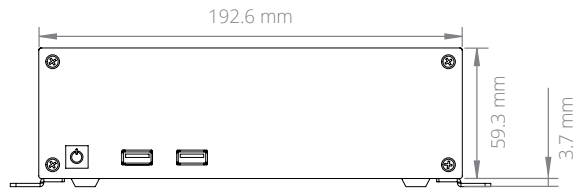
### EU Office

Phone: +31 088 5200 700  
Email: [info@onlogic.eu](mailto:info@onlogic.eu)  
[www.onlogic.com](http://www.onlogic.com)

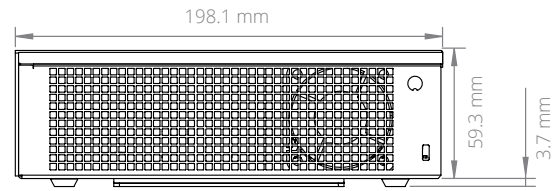
## MC500 Dimensional Drawings

Compact Mini-ITX Case

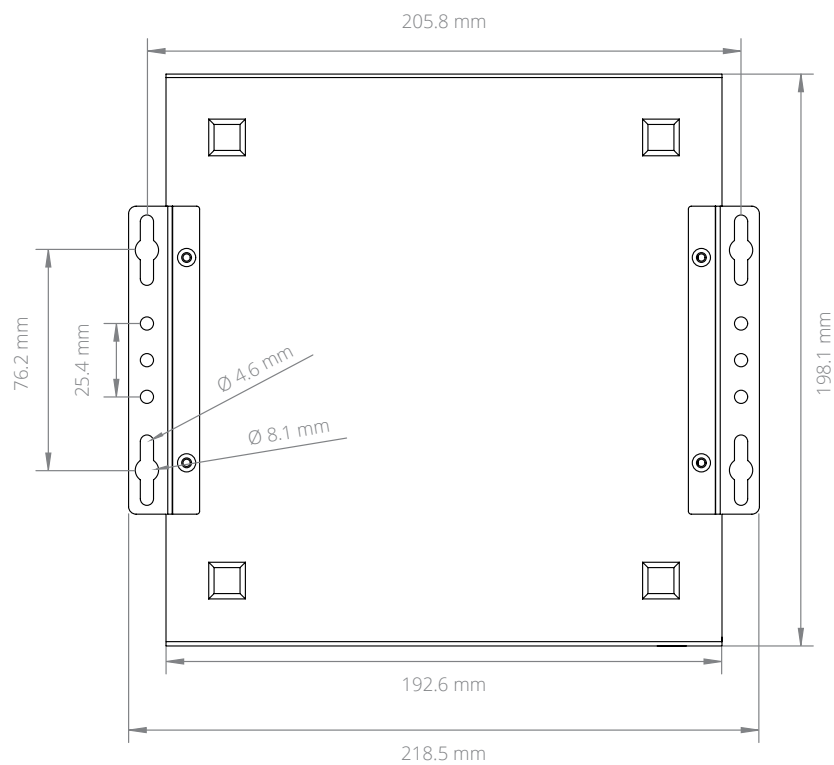
*All measurements in mm*



**FRONT**



**SIDE**



**BOTTOM**

[onlogic.com/mc500-series](https://onlogic.com/mc500-series) >

**US Office**

Phone: +1 802 861 2300

Email: [info@onlogic.com](mailto:info@onlogic.com)

[www.onlogic.com](http://www.onlogic.com)

**EU Office**

Phone: +31 088 5200 700

Email: [info@onlogic.eu](mailto:info@onlogic.eu)

[www.onlogic.com](http://www.onlogic.com)