

MC850-40

Compact Industrial AMD Ryzen™ Edge Server

The MC850-40 is a compact industrial AMD Ryzen edge server with powerful onboard graphics, secure architecture, and PCIe x16 expansion for accelerated GPU or networking applications.

onlogic.com/mc850-40



Ryzen Edge Server

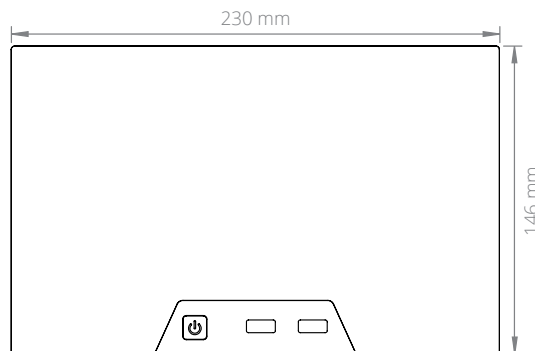
With 2nd Gen Ryzen server processing, the MC850-40 takes full advantage of AMD Infinity Architecture utilizing eight dies for processor cores and one for security and communication outside the processor.

Dedicated Graphics

The MC850 Series supports full height PCIe expansion, including the latest generation of advanced graphics cards, a feature rarely seen in a system with such a small footprint.

Integrated Power

Eliminating the need for external adapters or power bricks, the MC850 Series accommodates direct-plug power with an integrated 300W PSU.



US Office

Phone: +1 802 861 2300 | Email: info@onlogic.com | www.onlogic.com

EU Office

Phone: +31 088 5200 700 | Email: info@onlogic.eu | www.onlogic.com

System	
Processor	AMD Ryzen™ 3000 Series Processors
Processor Speed	Up to 3.1GHz Base, 4.7GHz Boost
Processor Cores	6 ~ 16
Memory	Up to 64 GB
Integrated Graphics	ASPEED AST2500

Rear I/O	
Ethernet	2 10GbE LAN with Intel® X550-AT2
USB	2 USB 3.1 Gen 2 ports
Video	1 VGA port
Power	C13 or C13 Coupler (100-240V AC)
Other	Dedicated IPMI LAN port

Front I/O	
USB	2 USB 2.0 ports
Other	Power button

Expansion & Features	
Expansion & Storage	1 PCIe 4.0 x16 slot 1 M.2 2280 SATA or NVMe PCIe 4.0 x4 2 2.5" SATA SSD/HDD or U.2 NVMe PCIe 4.0 x4
Features	Optional TPM 2.0

Mechanical	
Dimensions (WxHxD)	230 mm x 146 mm x 241.5 mm
Mounting Options	Wall-Mount

Environmental & Regulatory	
Operating Temperature	0°C to 35°C
Certifications	FCC CE

US Office

Phone: +1 802 861 2300 | Email: info@onlogic.com | www.onlogic.com

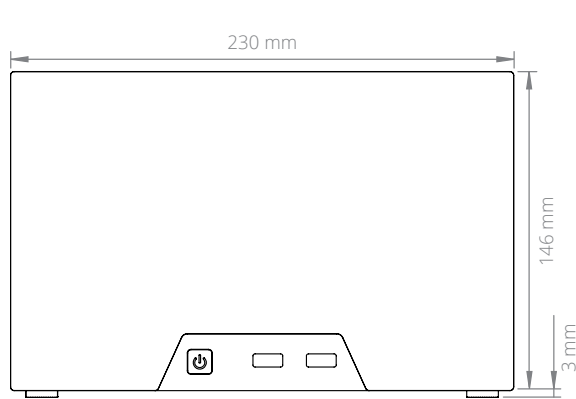
EU Office

Phone: +31 088 5200 700 | Email: info@onlogic.eu | www.onlogic.com

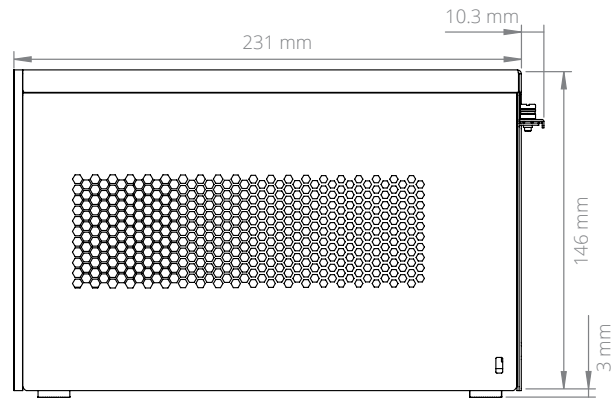
MC850-40 Dimensional Drawings

Compact Industrial AMD Ryzen™ Edge Server

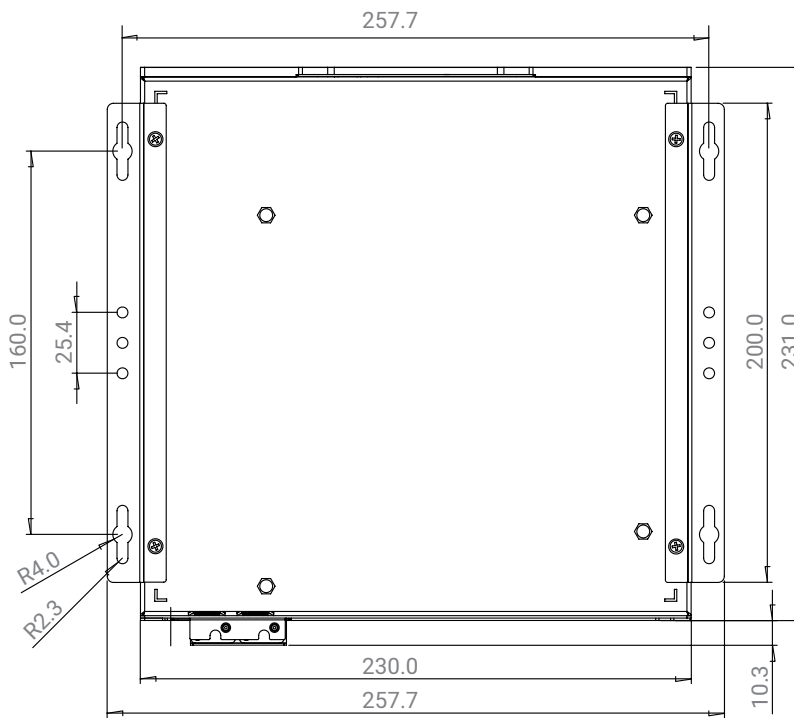
All measurements in mm



FRONT



SIDE



BOTTOM