



Ultimate Performance, Unlimited Possibilities

Offering advanced Intel processing, compatibility with the latest generation Nvidia graphics cards and an integrated power supply, the MC850 Series is as powerful as it is eye-catching.

onlogic.com/mc850-series >

Integrated Power

Eliminating the need for external adapters or power bricks, the MC850 Series accommodates direct-plug power with an integrated 300W PSU.

Performance Focused

Designed specifically for computing-intensive applications, the MC850 Series offers a range of Intel processing options including Skylake and Kaby Lake Core i7 CPUs.

Dedicated Graphics

The MC850 Series supports full height PCIe expansion, including the latest generation of advanced graphics cards, a feature rarely seen in a system with such a small footprint.



US Office

Phone: +1 802 861 2300

Email: info@onlogic.com

www.onlogic.com

EU Office

Phone: +31 088 5200 700

Email: info@onlogic.eu

www.onlogic.com

Commercial Intel® 8th Gen GPU Capable Computer

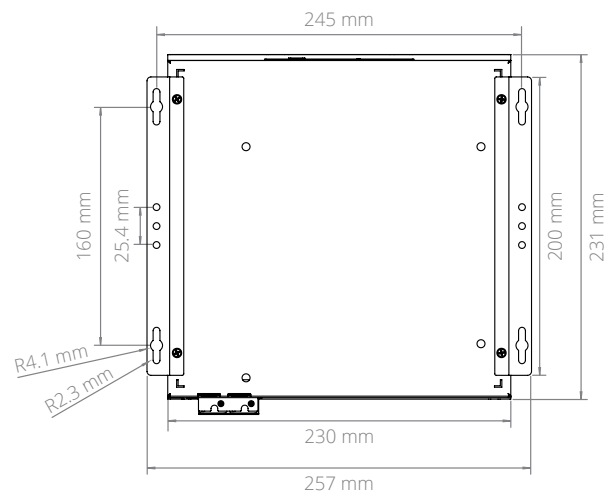
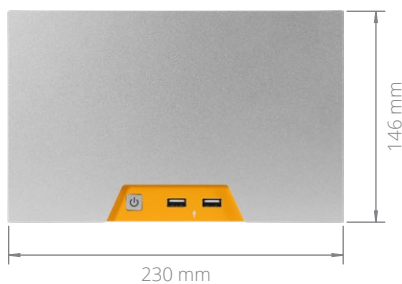
Specifications

MC850-53

| | | | |
|----------------------|--|------------------------|---|
| Processor | Intel Celeron Intel Pentium Intel Core i3/i5/i7 | Storage Options | 2.5" HDD/SSD 1 SATA M.2 M Key 2242/2260/2280 slot |
| Processor Speed | 2.1 ~ 3.1 GHz | LAN Controller | Intel I210 GbE Intel I219V |
| Processor Generation | Coffee Lake | Input Voltage | 100 ~ 240 V AC |
| Processor Cores | 2 ~ 6 | Power Input | C13 ~ C14 Coupler |
| Graphics / GPU | Intel UHD Graphics 610 Intel UHD Graphics 630 | Operating Temp. Range | 0 ~ 50°C |
| Memory | DDR4 SO-DIMM (non-ECC) | Dimensions (WxHxD) | 230 x 146 x 241.5 mm |
| Rear I/O | 3 DisplayPort connectors 4 USB 3.0 ports 2 COM ports 2 Gb LAN ports 2 Audio jacks (mic in, line-out) | Mounting Options | Wall-mount |
| Front I/O | 2 USB ports Power button | Regulatory Information | 2011/65/EU (RoHS 2 Directive) CE EN 55022 EN 55024 EN 55032 EN 60950-1 FCC 47 CFR Part 15 |
| Expansion Options | 1 M.2 E Key 2230 slot 1 PCIe Mini Card slot (full/half height) 1 PCIe x16 slot | | |

Dimensional Drawings

All measurements in mm



onlogic.com/mc850-53



US Office

Phone: +1 802 861 2300

Email: info@onlogic.com

www.onlogic.com

EU Office

Phone: +31 088 5200 700

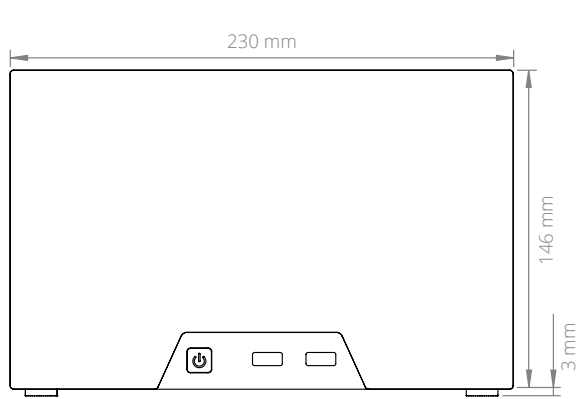
Email: info@onlogic.eu

www.onlogic.com

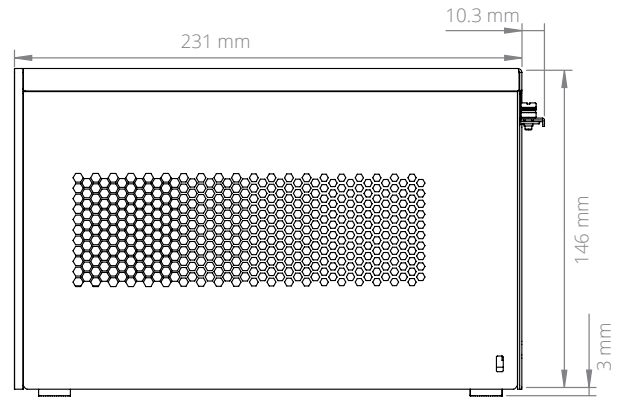
MC850 Dimensional Drawings

Graphics Card Capable Computer

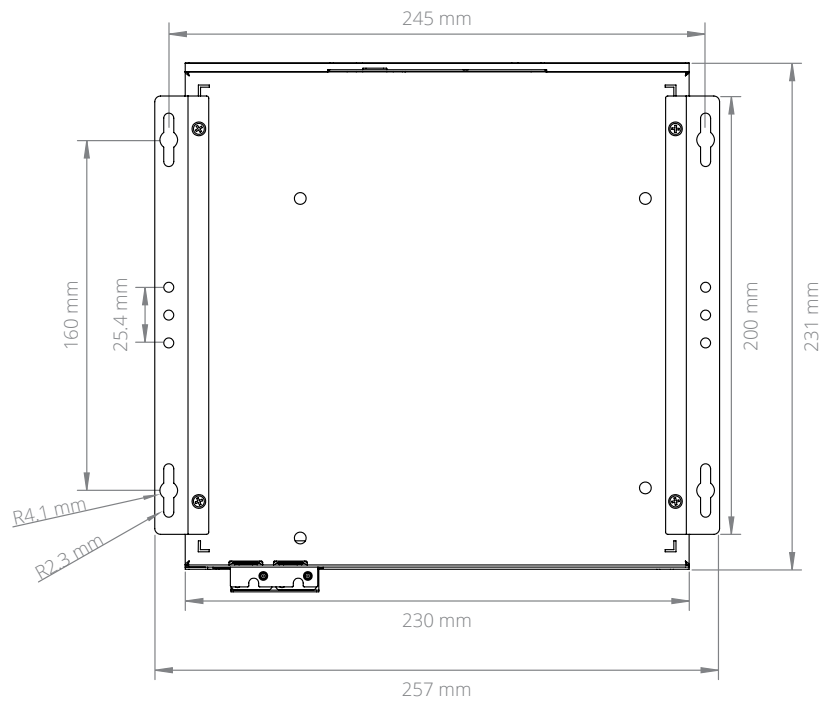
All measurements in mm



FRONT



SIDE



BOTTOM

onlogic.com/mc850-series



US Office

Phone: +1 802 861 2300

Email: info@onlogic.com

www.onlogic.com

EU Office

Phone: +31 088 5200 700

Email: info@onlogic.eu

www.onlogic.com