

ML100G-40

AMD-Powered Fanless Mini PC

The ML100G-40 puts the power of AMD Ryzen™ in the palm of your hand.

onlogic.com/ml100g-40



Powered by AMD Ryzen™

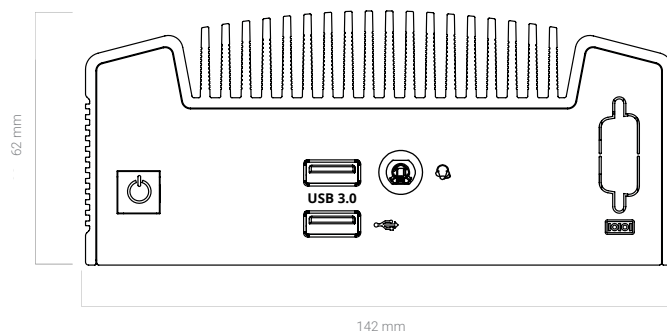
With an excellent cost-to-performance ratio, the ML100G-40 is available with either the dual-core R1505G or quad-core V1605B CPU with Radeon™ Vega 3 or 8 Graphics.

Fanless Reliability

Solid-state industrial components and the removal of all moving parts significantly extend lifespan and allow the ML100G-40 to be installed anywhere.

Industrial Connectivity

Dual LAN ports, fast M.2 storage, DIO, Wi-Fi/Bluetooth, and 4G LTE wireless, as well as triple independent display capabilities, ensure the ML100G-40 can adapt to any situation.



US Office

Phone: +1 802 861 2300 | Email: info@onlogic.com | www.onlogic.com

EU Office

Phone: +31 088 5200 700 | Email: info@onlogic.eu | www.onlogic.com

System	
Processor	AMD Ryzen™ R1505G AMD Ryzen V1605B
Processor Speed	2.4 GHz Base, 3.3GHz Max (R1505G) 2 GHz Base, 3.6GHz Max (V1605B)
Processor Cores	2-4
Integrated Graphics	AMD Radeon™ Vega 3 Graphics (R1505G) AMD Radeon Vega 8 Graphics (V1605B)
Memory Capacity	DDR4 SO-DIMM (Non-ECC) 32 GB

Rear I/O	
Ethernet	2 GbE LAN with Realtek RTL8111G
USB	2 USB 3.1 Gen 1
Video	1 HDMI port 2 DisplayPort connectors
Power	DC jack

Front I/O	
USB	1 USB 3.1 2 USB 2.0
Serial	1 Optional RS-232/422/485 COM
Other	Audio jack (Line-In; Mic-In) Power button

Expansion & Features	
Expansion & Storage	1 M.2 E Key 2230 slot 1 M.2 2280 PCIe x4/SATA slot

Mechanical	
Dimensions (WxHxD)	142 x 62 x 107 mm (5.6 x 2.4 x 4.2 in)
Mounting Options	DIN VESA Wall

Environmental & Regulatory	
Operating Temperature	-0°C ~ 50°C
Certifications	FCC 47 CFR Part 15 CE WEEE Directive (2002/96/EC) ErP Directive (2009/125/EC) RoHS 2 (2011/65/EU) REACH EN 55024 EN 55032 EN 55035 EN 62368-1

US Office

Phone: +1 802 861 2300 | Email: info@onlogic.com | www.onlogic.com

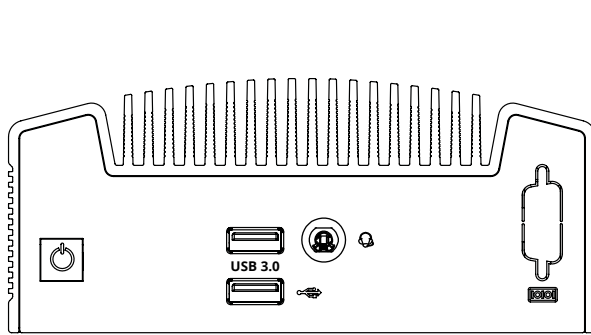
EU Office

Phone: +31 088 5200 700 | Email: info@onlogic.eu | www.onlogic.com

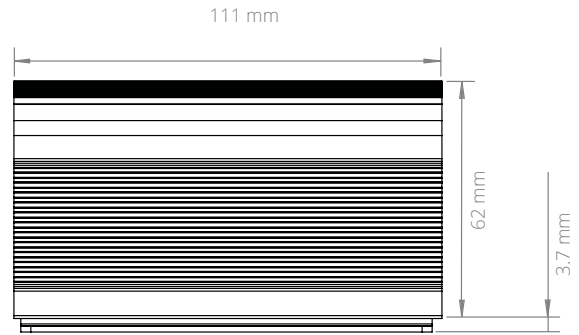
ML100G-40 Dimensional Drawings

AMD-Powered Fanless Mini PC

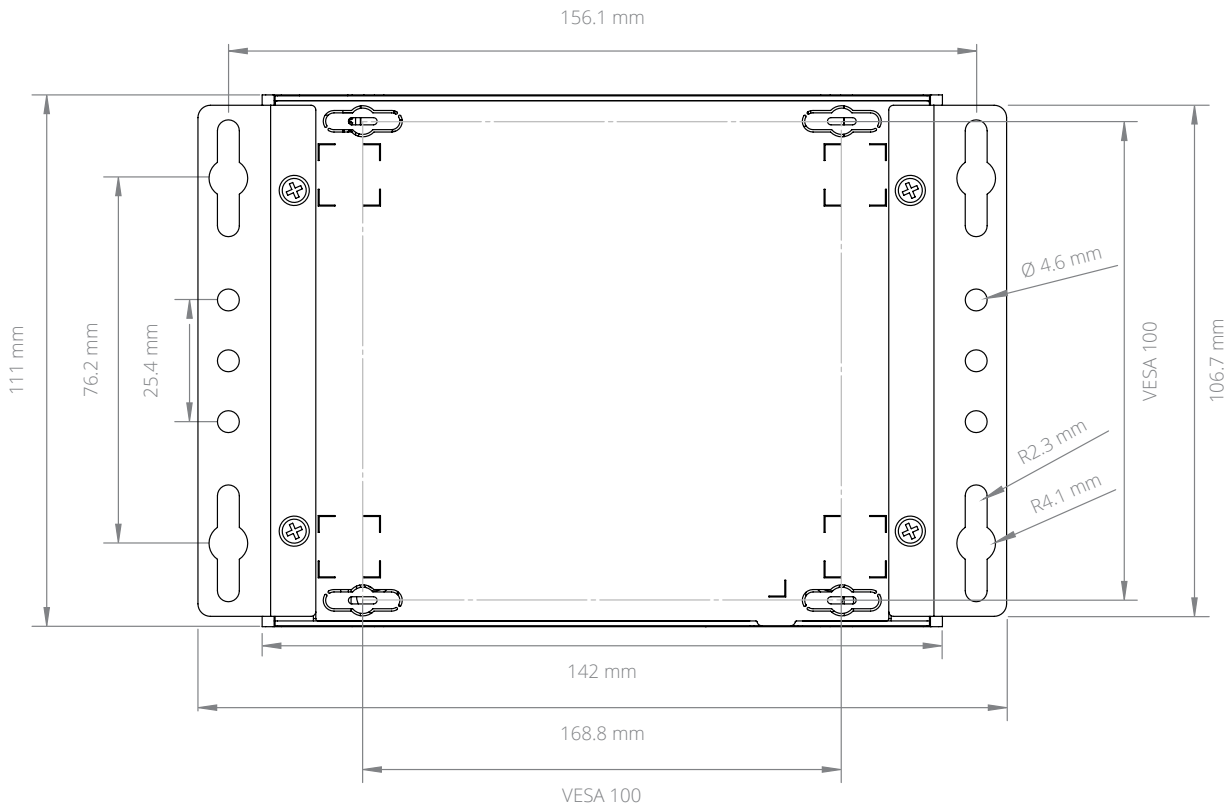
All measurements in mm



FRONT



SIDE



BOTTOM

US Office

Phone: +1 802 861 2300 | Email: info@onlogic.com | www.onlogic.com

EU Office

Phone: +31 088 5200 700 | Email: info@onlogic.eu | www.onlogic.com