



NUC. Evolved.

The ML100 represents the next generation of small form factor industrial computing, packing Intel processing into our toughest ever NUC enclosure.

onlogic.com/ml100-series



Compact Versatility

The ML100 Series blends high-performance IPC engineering with Intel's NUC form factor, resulting in a computer as versatile as it is compact.

Smart Design, Smart Gateway

Long lifecycle components, high performance cooling, and a forward thinking approach to enclosure architecture make the ML100 the ideal innovation platform.

Multi-screen Capable

Despite its diminutive size, the ML100 Series offers a full range of I/O connectivity, including USB 3.0, Gb LAN, and dual high definition video ports.



US Office

Phone: +1 802 861 2300
Email: info@onlogic.com
www.onlogic.com

EU Office

Phone: +31 088 5200 700
Email: info@onlogic.eu
www.onlogic.com

Industrial Intel® Whiskey Lake Fanless NUC Computer

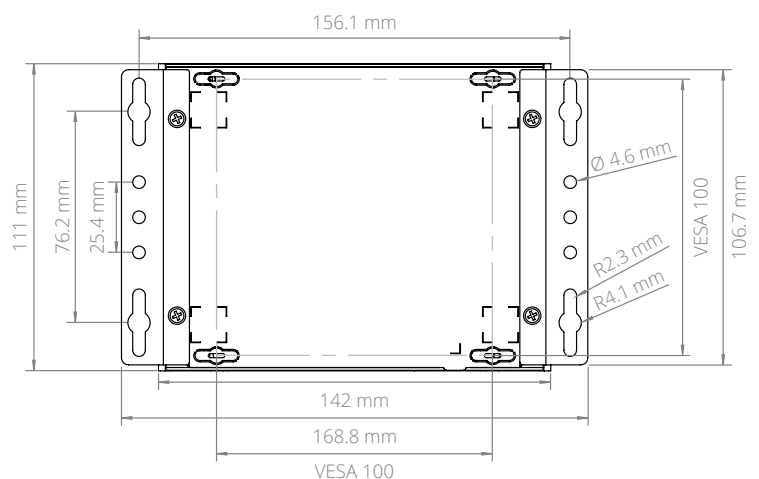
Specifications

ML100G-51

Processor	Intel Core i5-8265U	LAN Controller	Intel I219LM GbE Realtek RTL8111H
Processor Speed	Up to 1.6GHz	Input Voltage	12 VDC
Processor Generation	Whiskey Lake	Power Input	DC jack
Processor Cores	4	Operating Temp. Range	0 ~ 50°C
Graphics / GPU	Intel UHD Graphics 620	Dimensions (WxHxD)	142 x 62 x 111 mm
Memory	DDR4 SO-DIMM (non-ECC) Up to 32 GB	Mounting Options	DIN-mount VESA-mount Wall-mount
Rear I/O	2 DisplayPort connectors 1 HDMI port 2 Gb LAN ports 2 USB 3.1 ports 1 DC jack	Regulatory Information	2002/96/EC (WEEE Directive) 2009/125/EC (ERP Directive) 2011/65/EU (RoHS 2 Directive) CE EN 55024 EN 55032 EN 55035 EN 62368-1 FCC 47 CFR Part 15 REACH
Front I/O	1 Audio jack (line-out; mic-in) 2 USB 2.0 ports 1 USB 3.1 port		
Expansion Options	1 M.2 E Key 2230 slot		
Storage Options	1 M.2 2260 M-key slot (PCIe Gen3 x4) for NVMe SSD		

Dimensional Drawings

All measurements in mm



onlogic.com/ml100g-51



US Office

Phone: +1 802 861 2300
Email: info@onlogic.com
www.onlogic.com

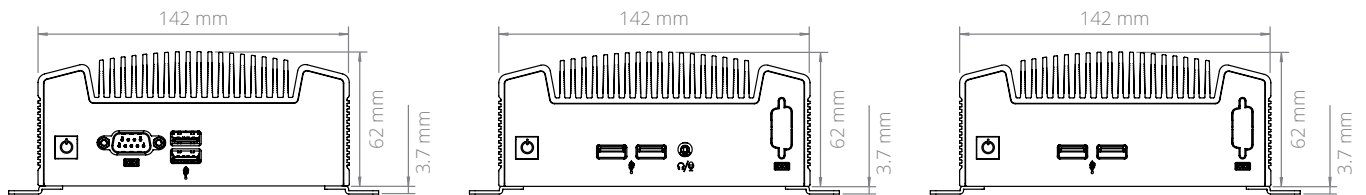
EU Office

Phone: +31 088 5200 700
Email: info@onlogic.eu
www.onlogic.com

ML100 Dimensional Drawings

Fanless NUC Computer

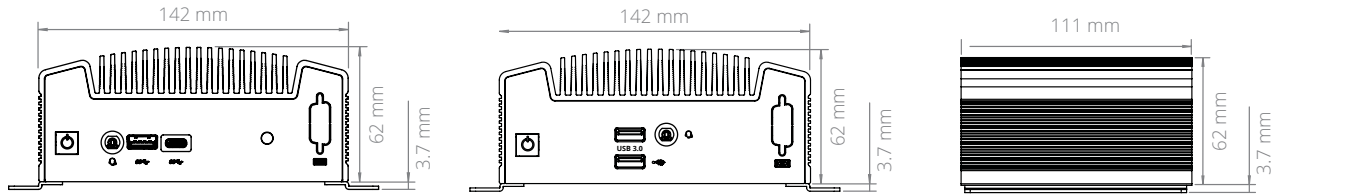
All measurements in mm



ML100G-10 FRONT

ML100G-30 FRONT

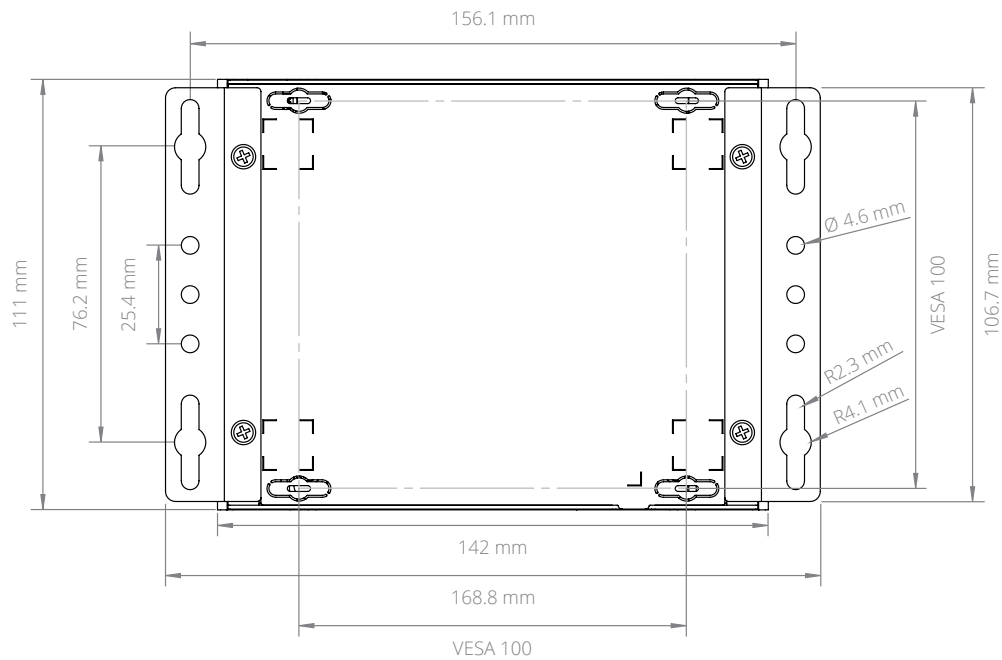
ML100G-31 FRONT



ML100G-50 FRONT

ML100G-51 & 52

SIDE



BOTTOM

onlogic.com/ml100-series >

US Office

Phone: +1 802 861 2300
 Email: info@onlogic.com
www.onlogic.com

EU Office

Phone: +31 088 5200 700
 Email: info@onlogic.eu
www.onlogic.com