



NUC. Evolved.

The ML100 represents the next generation of small form factor industrial computing, packing Intel processing into our toughest ever NUC enclosure.

onlogic.com/ml100-series



Compact Versatility

The ML100 Series blends high-performance IPC engineering with Intel's NUC form factor, resulting in a computer as versatile as it is compact.

Smart Design, Smart Gateway

Long lifecycle components, high performance cooling, and a forward thinking approach to enclosure architecture make the ML100 the ideal innovation platform.

Multi-screen Capable

Despite its diminutive size, the ML100 Series offers a full range of I/O connectivity, including USB 3.0, Gb LAN, and dual high definition video ports.



US Office

Phone: +1 802 861 2300
Email: info@onlogic.com
www.onlogic.com

EU Office

Phone: +31 088 5200 700
Email: info@onlogic.eu
www.onlogic.com

Industrial Intel® Bay Trail Fanless NUC Computer

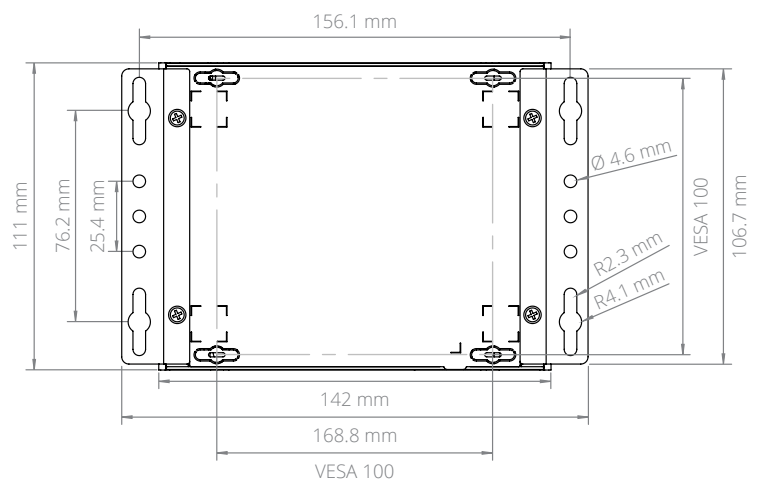
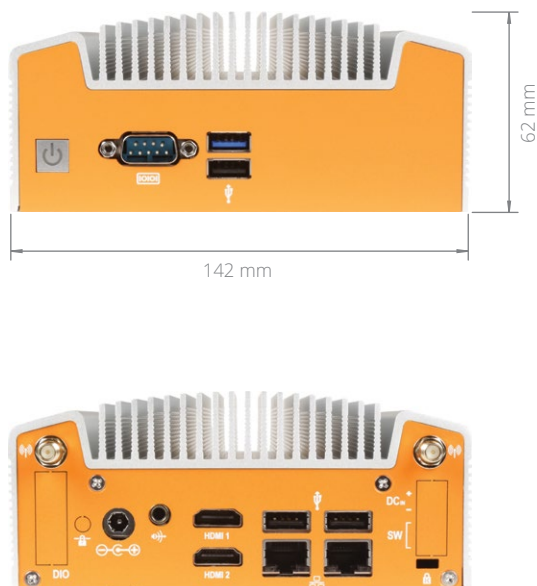
Specifications

ML100G-10

Processor	Intel Celeron N2930	Storage Options	mSATA
Processor Speed	1.83 GHz	LAN Controller	Intel 82583V PCIe GbE
Processor Generation	Bay Trail	Input Voltage	9 ~ 24 VDC
Processor Cores	4	Power Input	DC jack
Graphics / GPU	Intel HD Graphics	Operating Temp. Range	0 ~ 40°C
Memory	DDR3L SO-DIMM (non-ECC) Up to 8 GB	Dimensions (WxHxD)	142 x 62 x 111 mm
Rear I/O	2 USB 2.0 ports 2 Gb LAN port 1 Line-out connector 2 HDMI ports 1 DC-jack (Terminal Block Power Optional)	Mounting Options	DIN-mount VESA-mount Wall-mount
Front I/O	1 USB 2.0 port 1 USB 3.0 port 1 RS-232/422/485 COM port Power button	Regulatory Information	2011/65/EU (RoHS 2 Directive) CE EN 55022 EN 55024 EN 55032 EN 60950-1 FCC 47 CFR Part 15
Expansion Options	1 PCIe Mini Card (half-height)		

Dimensional Drawings

All measurements in mm



onlogic.com/ml100g-10 >

US Office

Phone: +1 802 861 2300
Email: info@onlogic.com
www.onlogic.com

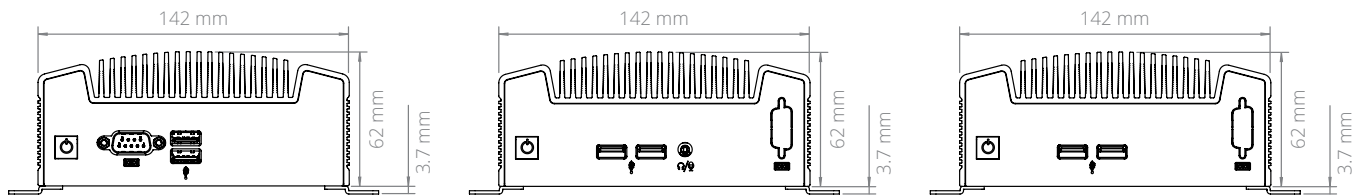
EU Office

Phone: +31 088 5200 700
Email: info@onlogic.eu
www.onlogic.com

ML100 Dimensional Drawings

Fanless NUC Computer

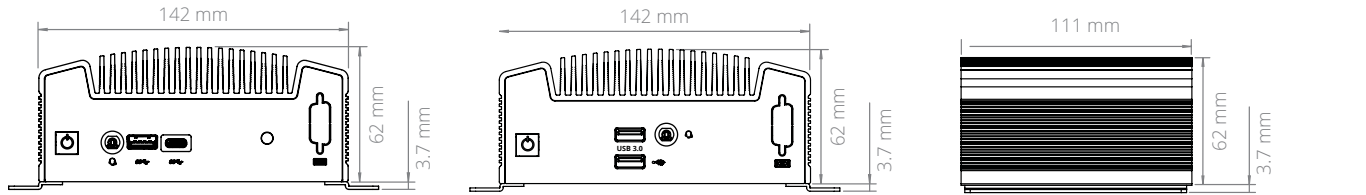
All measurements in mm



ML100G-10 FRONT

ML100G-30 FRONT

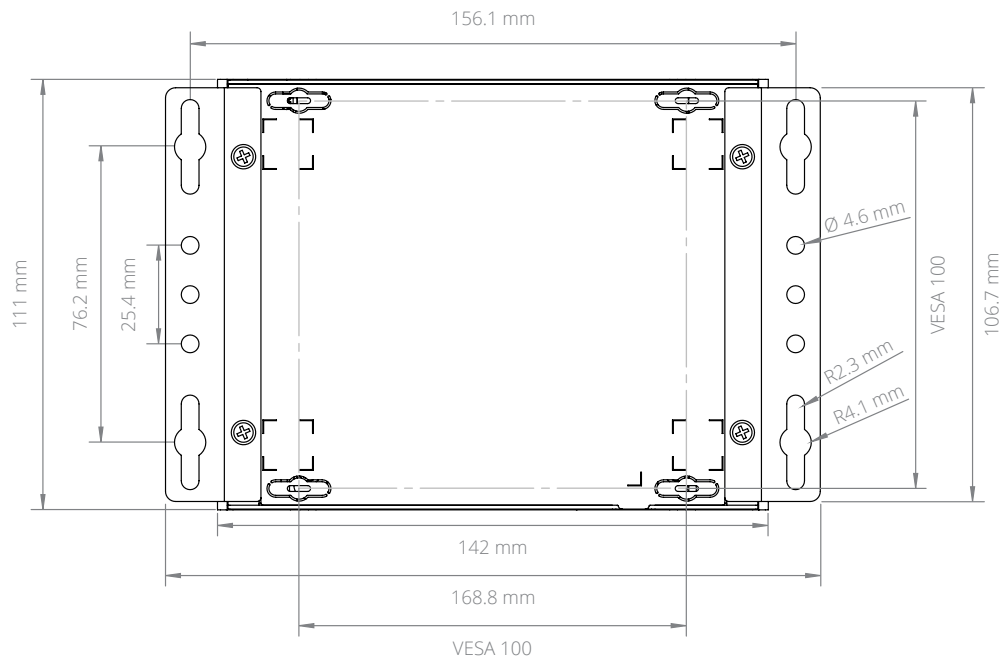
ML100G-31 FRONT



ML100G-50 FRONT

ML100G-51 & 52 FRONT

SIDE



BOTTOM

onlogic.com/ml100-series >

US Office

Phone: +1 802 861 2300

Email: info@onlogic.com

www.onlogic.com

EU Office

Phone: +31 088 5200 700

Email: info@onlogic.eu

www.onlogic.com