



Advanced Thin Mini-ITX.

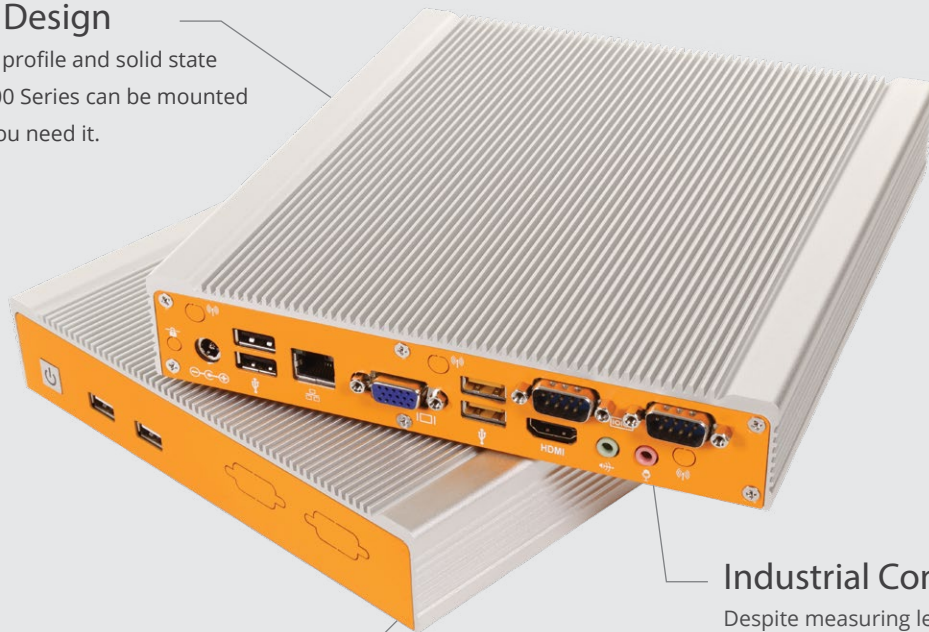
The ideal combination of size and performance, the ML200 Series wraps Thin Mini-ITX computing in a highly versatile, industrial enclosure.

onlogic.com/ml200-series



Low Profile Design

With its ultra-thin profile and solid state storage, the ML200 Series can be mounted where and how you need it.



Dependable Performance

Unlike other energy-efficient systems that struggle with processing-intensive tasks, the ML200 Series was built with versatility in mind and features powerful Intel processing.

Industrial Connectivity

Despite measuring less than 1.5" tall, the ML200 Series provides the industrial connectivity today's commercial applications demand.

US Office

Phone: +1 802 861 2300

Email: info@onlogic.com

www.onlogic.com

EU Office

Phone: +31 088 5200 700

Email: info@onlogic.eu

www.onlogic.com

Industrial Intel® Braswell Fanless Computer

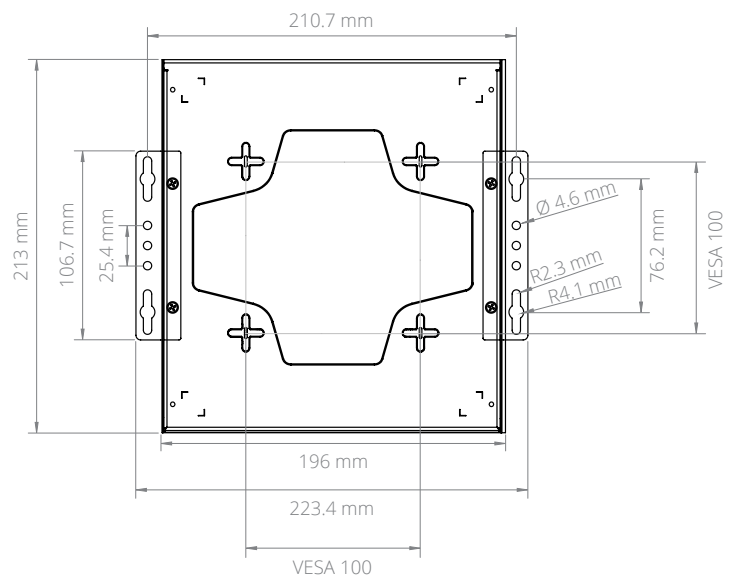
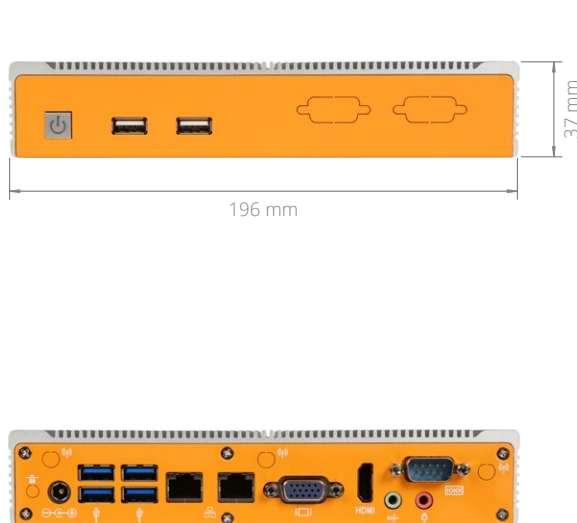
Specifications

ML210G-12

Processor	Intel Celeron N3150	Expansion Options	1 PCIe Mini Card (full height) 1 PCIe Mini Card (half-height)
Processor Speed	1.6 GHz	Storage Options	mSATA
Processor Generation	Braswell	LAN Controller	Realtek RT8111G
Processor Cores	4	Input Voltage	12 VDC
Graphics / GPU	Intel HD Graphics	Power Input	DC jack
Memory	DDR3L SO-DIMM (non-ECC) Up to 8 GB	Operating Temp. Range	0 ~ 55°C
Rear I/O	4 USB 3.0 ports 2 Gb LAN ports 1 VGA port 1 HDMI port 2 Audio Jacks (Mic-in, Line-out) 1 RS-232/422/485 COM Port (optional)	Dimensions (WxHxD)	196 x 37 x 213 mm
Front I/O	2 USB 2.0 ports Power button 2 RS-232 COM ports (optional)	Mounting Options	DIN-mount VESA-mount Wall-mount
		Regulatory Information	2011/65/EU (RoHS 2 Directive) CE EN 55022 EN 55024 EN 55032 EN 60950-1 FCC 47 CFR Part 15

Dimensional Drawings

All measurements in mm



onlogic.com/ml210g-12 >

US Office

Phone: +1 802 861 2300
Email: info@onlogic.com
www.onlogic.com

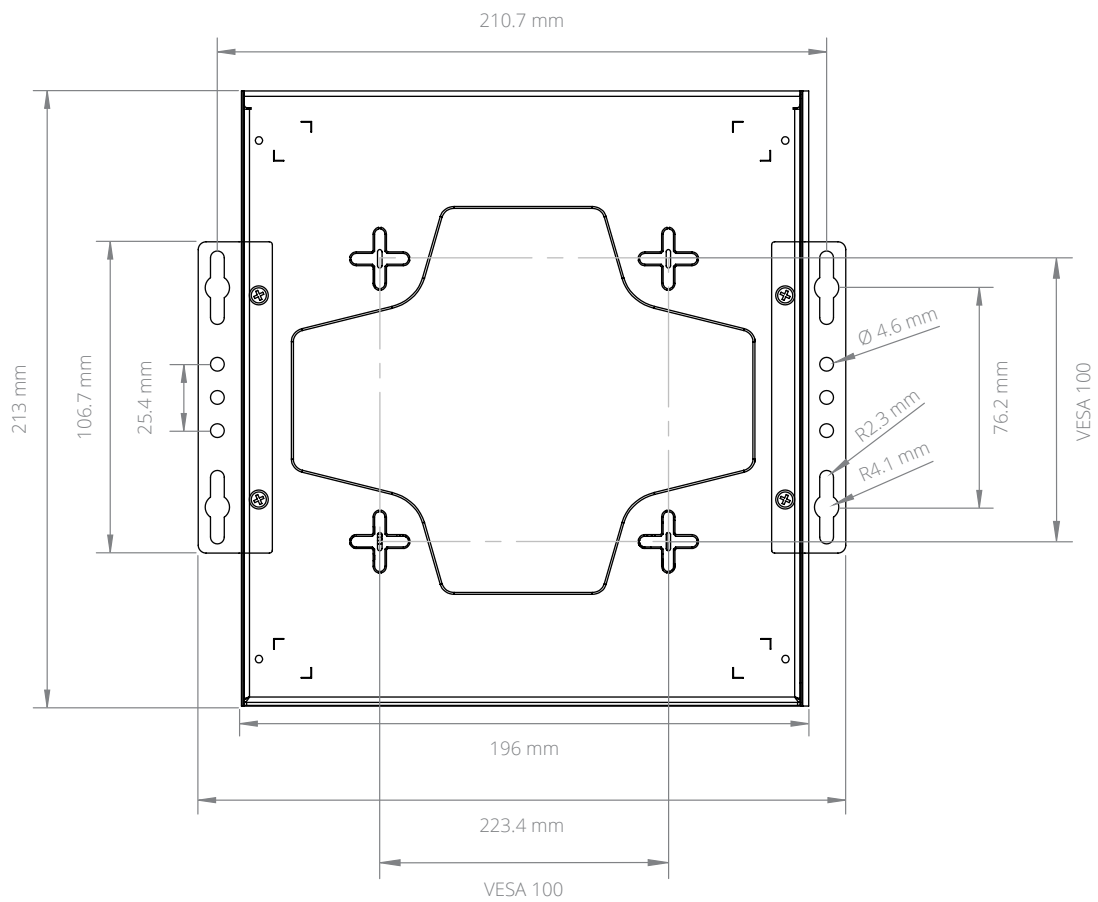
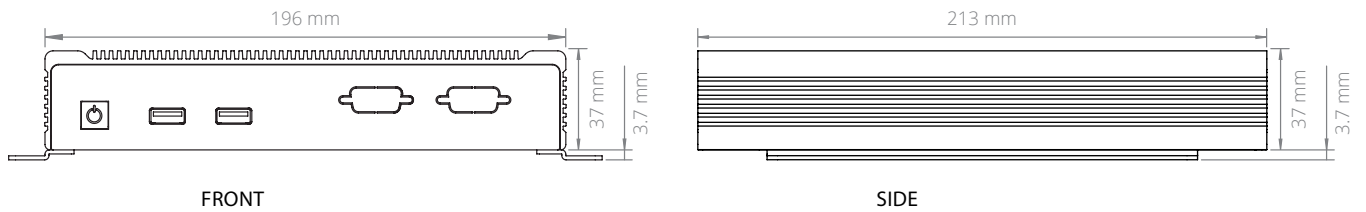
EU Office

Phone: +31 088 5200 700
Email: info@onlogic.eu
www.onlogic.com

ML210 Dimensional Drawings

Low Profile Fanless Computer

All measurements in mm



onlogic.com/ml200-series >

US Office

Phone: +1 802 861 2300
 Email: info@onlogic.com
www.onlogic.com

EU Office

Phone: +31 088 5200 700
 Email: info@onlogic.eu
www.onlogic.com