

Compact & Customizable

This streamlined industrial PC brings desktop-level flexibility to a slim, versatile, fanless chassis with its unique expansion bay.

onlogic.com/ml300-series >

Small Form, Big Brains

With processor options ranging up to Intel's Skylake i5, the ML300 Series delivers the maximum performance available in a compact, fanless enclosure.

Cool Under Pressure

The ML300 Series utilizes a reinforced chassis with solid state cooling that silently provides optimal and reliable heat transfer, far outpacing the cooling performance of similar enclosures.



Easy Integration

With its small footprint and solid state components, the ML300 can be securely installed in even the most space constrained locations.

US Office

Phone: +1 802 861 2300
Email: info@onlogic.com
www.onlogic.com

EU Office

Phone: +31 088 5200 700
Email: info@onlogic.eu
www.onlogic.com

Low Profile Fanless Industrial Computer with Braswell

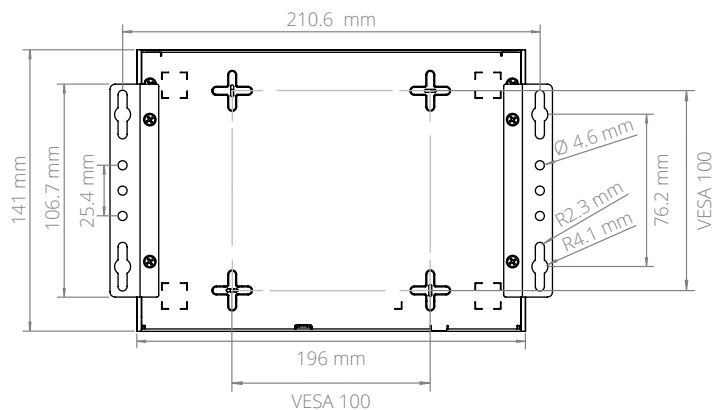
Specifications

ML340G-10

| | | | |
|----------------------|----------------------------------------------------------------------------------------------------------------|-----------------------|------------------------------------------------|
| Front I/O | 2 USB 2.0 ports Power button 3 Serial ports (2 RS-232, 1 RS-232/422/485 COM) - optional | Memory Type | DDR3L SO-DIMM (non-ECC) |
| Rear I/O | 2 USB 3.0 ports 2 Gb LAN ports 1 HDMI port 1 VGA port 2 Audio jacks; mic-in, line-out 1 DC jack | Memory Capacity | Up to 8 GB |
| Processor | Intel Celeron N3150 | Memory Speed | 1600 MHz |
| Processor Speed | 1.6 GHz | LAN Controller | Intel I210 GbE |
| Processor Generation | Braswell | Input Voltage | 12 ~ 24 V |
| Processor Core | 4 | Power Input | DC jack |
| Graphics / GPU | Intel HD Graphics | Operating Temp. Range | 0°C ~ 50°C |
| | | Dimensions (WxHxD) | 196 mm x 36.75 mm x 141 mm |
| | | Case Material | Steel With Aluminum Extrusion |
| | | Mounting Options | DIN-mount, VESA MIS-D 100 mount, Wall-mount |

Dimensional Drawings

All measurements in mm



onlogic.com/ml340g-10 

US Office

Phone: +1 802 861 2300
Email: info@onlogic.com
www.onlogic.com

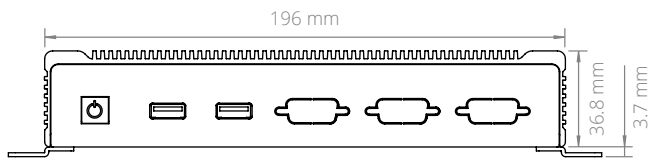
EU Office

Phone: +31 088 5200 700
Email: info@onlogic.eu
www.onlogic.com

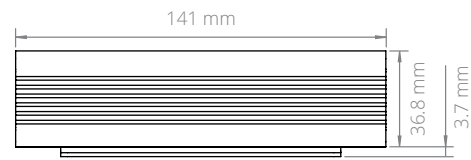
ML340 Dimensional Drawings

Low Profile Fanless Computer

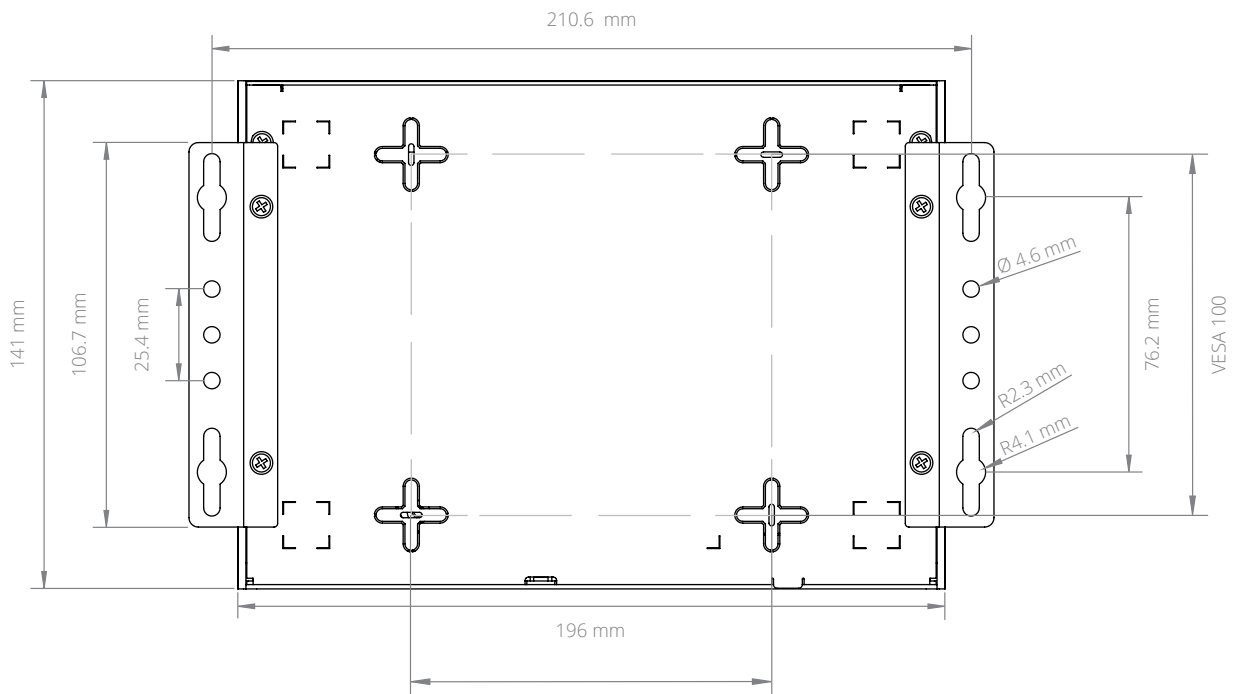
All measurements in mm



FRONT



SIDE



BOTTOM

onlogic.com/ml300-series >

US Office

Phone: +1 802 861 2300

Email: info@onlogic.com

www.onlogic.com

EU Office

Phone: +31 088 5200 700

Email: info@onlogic.eu

www.onlogic.com