

Compact & Customizable

This streamlined industrial PC brings desktop-level flexibility to a slim, versatile, fanless chassis with its unique expansion bay.

onlogic.com/ml300-series >

Small Form, Big Brains

With processor options ranging up to Intel's Skylake i5, the ML300 Series delivers the maximum performance available in a compact, fanless enclosure.

Cool Under Pressure

The ML300 Series utilizes a reinforced chassis with solid state cooling that silently provides optimal and reliable heat transfer, far outpacing the cooling performance of similar enclosures.



Easy Integration

With its small footprint and solid state components, the ML300 can be securely installed in even the most space constrained locations.

US Office

Phone: +1 802 861 2300
Email: info@onlogic.com
www.onlogic.com

EU Office

Phone: +31 088 5200 700
Email: info@onlogic.eu
www.onlogic.com

Low Profile Fanless Intel® Core i5 Industrial Computer

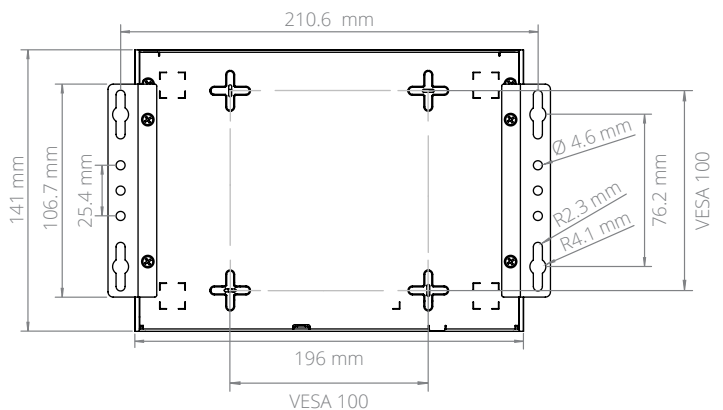
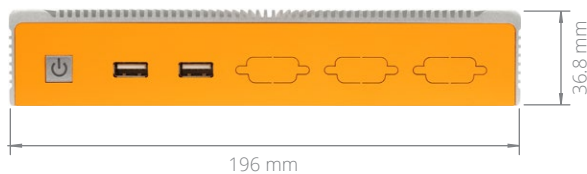
Specifications

ML340G-51

Front I/O	3 RS-232 COM ports (Optional) 2 USB 2.0 ports Power Button	LAN Controller	Intel I211-AT GbE Intel I219LM GbE (when configured w/ i5) Intel I219V GbE (when configured w/ i3)
Rear I/O	4 USB 3.0 ports 2 DisplayPort connectors 2 Gb LAN ports	Input Voltage	12 V / 19 ~ 36 V
Processor	Intel Core i3/i5/i7	Power Input	DC jack
Processor Speed	Configuration Dependent	Operating Temp. Range	0°C ~ 45°C
Processor Generation	Skylake	Dimensions (WxHxD)	196 mm x 36.75 mm x 141 mm
Processor Core	2	Case Material	Steel With Aluminum Extrusion
Graphics / GPU	Intel HD Graphics 520	Mounting Options	DIN-mount, VESA MIS-D 100 mount, Wall-mount
Memory Type	DDR4 SO-DIMM (non-ECC)		
Memory Capacity	Up to 32 GB		
Memory Speed	2133 MHz		

Dimensional Drawings

All measurements in mm



onlogic.com/ml340g-51 >

US Office

Phone: +1 802 861 2300
Email: info@onlogic.com
www.onlogic.com

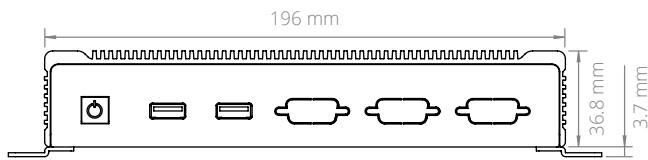
EU Office

Phone: +31 088 5200 700
Email: info@onlogic.eu
www.onlogic.com

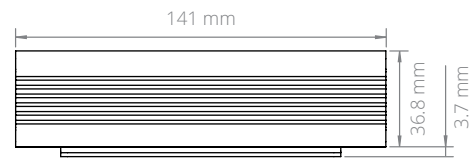
ML340 Dimensional Drawings

Low Profile Fanless Computer

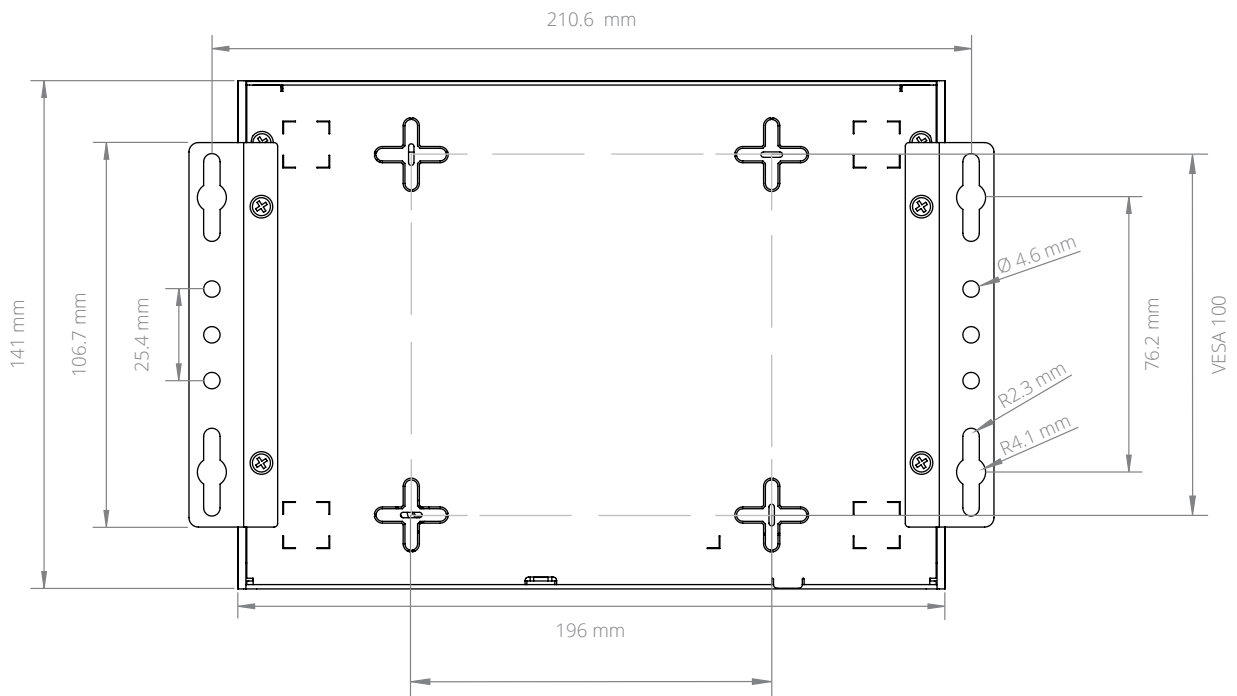
All measurements in mm



FRONT



SIDE



BOTTOM

onlogic.com/ml300-series >

US Office

Phone: +1 802 861 2300

Email: info@onlogic.com

www.onlogic.com

EU Office

Phone: +31 088 5200 700

Email: info@onlogic.eu

www.onlogic.com