



Innovation Loves Company.

The ML600 Series builds on Onlogic's history of engineering expertise, packing a wide array of features into its distinctive hardened, fanless chassis.

onlogic.com/ml600-series >

Performance

Meets Industrial

Utilizing a fanless, ultra-reliable Hardshell™ chassis, the ML600 Series brings true server class processing and versatility into the industrial work space.

Store More, Worry Less

Able to accommodate a variety of storage and expansion options, the ML600 Series delivers reliable data-centric performance with industry leading EMI protection.

Enterprise DNA

The ML600 Series stays true to its industrial heritage, but without compromising on the processing power or management capabilities today's server applications require.

US Office

Phone: +1 802 861 2300
Email: info@onlogic.com
www.onlogic.com

EU Office

Phone: +31 088 5200 700
Email: info@onlogic.eu
www.onlogic.com

Industrial Fanless Intel® Avoton Server Computer

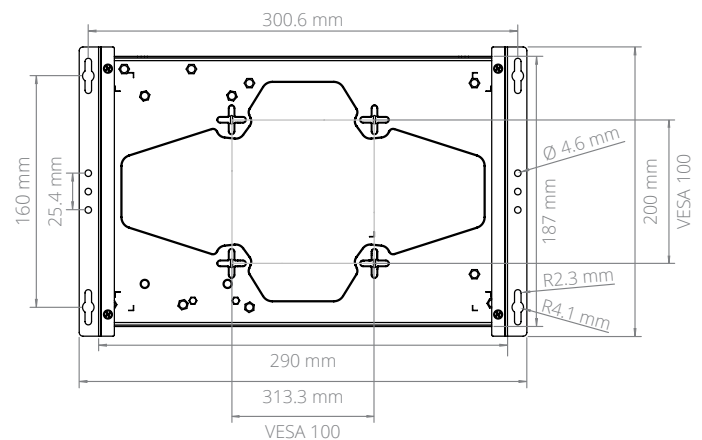
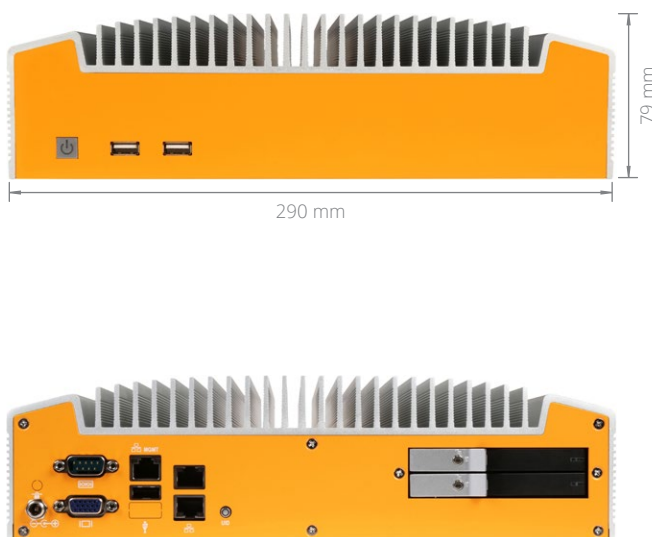
Specifications

ML600G-10

Front I/O	2 USB 2.0 ports Power button	Memory Speed	1600 MHz
Rear I/O	1 USB 2.0 port 2 Gb LAN ports 1 IPMI port 1 RS-232 COM port 1 VGA port 1 DC Jack	LAN Controller	Intel I210 GbE
Processor	Intel Avoton	Input Voltage	12 V
Processor Speed	Configuration Dependent	Power Input	DC jack
Processor Generation	Avoton	Operating Temp. Range	0 ~ 50°C
Processor Core	Configuration Dependent	Dimensions (WxHxD)	290 mm x 79 mm x 187 mm
Graphics / GPU	ASPEED AST2300	Case Material	Steel With Aluminum Extrusion
Memory Type	DDR3 SO-DIMM (non-ECC)	Mounting Options	DIN-mount, VESA MIS-D 100 mount, Wall-mount
Memory Capacity	Up to 32 GB		

Dimensional Drawings

All measurements in mm



onlogic.com/ml600g-10 >

US Office

Phone: +1 802 861 2300
Email: info@onlogic.com
www.onlogic.com

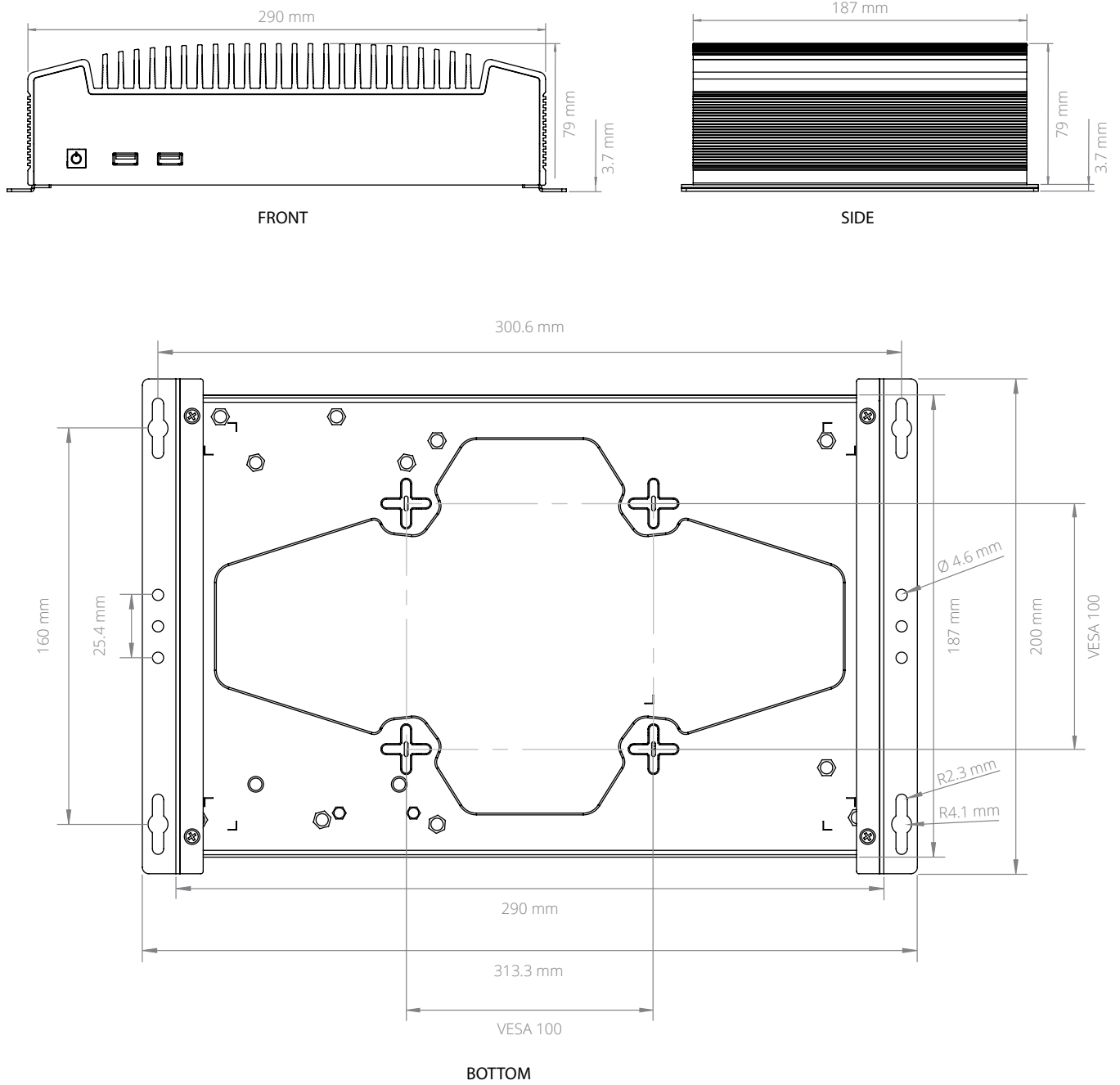
EU Office

Phone: +31 088 5200 700
Email: info@onlogic.eu
www.onlogic.com

ML600 Dimensional Drawings

Industrial Fanless Microserver

All measurements in mm



onlogic.com/ml600-series >

US Office

Phone: +1 802 861 2300
Email: info@onlogic.com
www.onlogic.com

EU Office

Phone: +31 088 5200 700
Email: info@onlogic.eu
www.onlogic.com