



# Innovation Loves Company.

The ML600 Series builds on Onlogic's history of engineering expertise, packing a wide array of features into its distinctive hardened, fanless chassis.

[onlogic.com/ml600-series](https://onlogic.com/ml600-series) >

## Performance

### Meets Industrial

Utilizing a fanless, ultra-reliable Hardshell™ chassis, the ML600 Series brings true server class processing and versatility into the industrial work space.

### Store More, Worry Less

Able to accommodate a variety of storage and expansion options, the ML600 Series delivers reliable data-centric performance with industry leading EMI protection.

### Enterprise DNA

The ML600 Series stays true to its industrial heritage, but without compromising on the processing power or management capabilities today's server applications require.

#### US Office

Phone: +1 802 861 2300  
Email: [info@onlogic.com](mailto:info@onlogic.com)  
[www.onlogic.com](http://www.onlogic.com)

#### EU Office

Phone: +31 088 5200 700  
Email: [info@onlogic.eu](mailto:info@onlogic.eu)  
[www.onlogic.com](http://www.onlogic.com)

## Industrial Fanless Intel® Haswell Computer

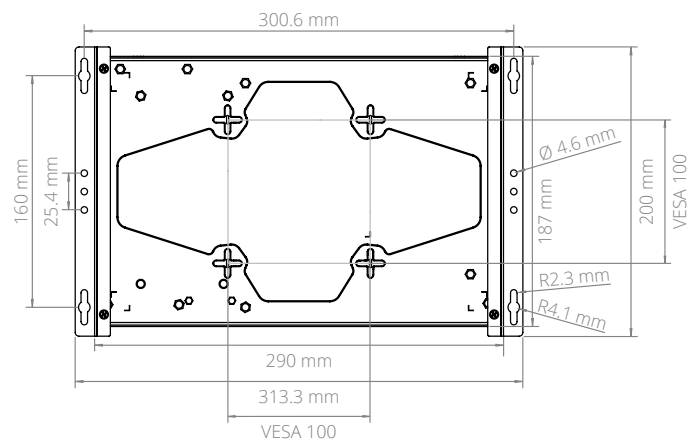
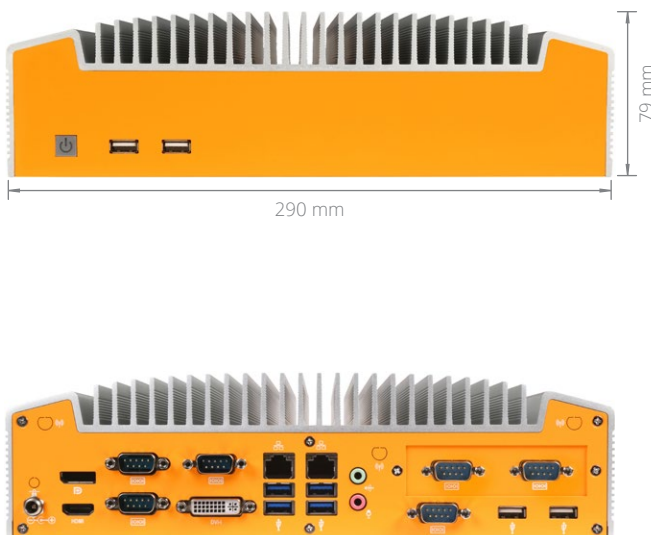
### Specifications

ML600G-50

Front I/O	2 USB 2.0 ports Power button	Graphics / GPU	Intel 4th Generation HD Graphics
Rear I/O	1 HDMI port 1 DisplayPort 1 DVI-I port 4 USB 3.0 ports 2 USB 2.0 ports 2 Gb LAN ports 3 RS-232/422/485 COM ports 3 RS-232 COM ports 2 Audio jacks; line-out, mic-in 1 DC Jack	Memory Type	DDR3 DIMM (ECC)
Processor	Intel Celeron, Pentium, Core i3/i5/i7	Memory Capacity	Up to 16 GB
Processor Speed	Configuration Dependent	Memory Speed	1600 MHz
Processor Generation	Haswell	LAN Controller	Intel I210 GbE Intel I217LM GbE with Intel AMT
Processor Core	Configuration Dependent	Input Voltage	12 V
		Power Input	DC jack
		Operating Temp. Range	0°C ~ 50°C
		Dimensions (WxHxD)	290 mm x 79 mm x 187 mm
		Case Material	Steel With Aluminum Extrusion
		Mounting Options	DIN-mount, VESA MIS-D 100 mount, Wall-mount

### Dimensional Drawings

All measurements in mm



[onlogic.com/ml600g-50](http://onlogic.com/ml600g-50) >

#### US Office

Phone: +1 802 861 2300

Email: [info@onlogic.com](mailto:info@onlogic.com)

[www.onlogic.com](http://www.onlogic.com)

#### EU Office

Phone: +31 088 5200 700

Email: [info@onlogic.eu](mailto:info@onlogic.eu)

[www.onlogic.com](http://www.onlogic.com)

