

PS1000-1

OnLogic PS1000-1 Hardened 1000W IT Power Supply

The OnLogic PS1000-1 is a wide temperature, ruggedized, touch safe power supply capable of delivering up to 1000 watts of DC power at 48V. It is ideally suited for commercial information technology equipment including computing in railway applications and maritime power.

onlogic.com/ps1000-1



1000W OF RELIABLE POWER

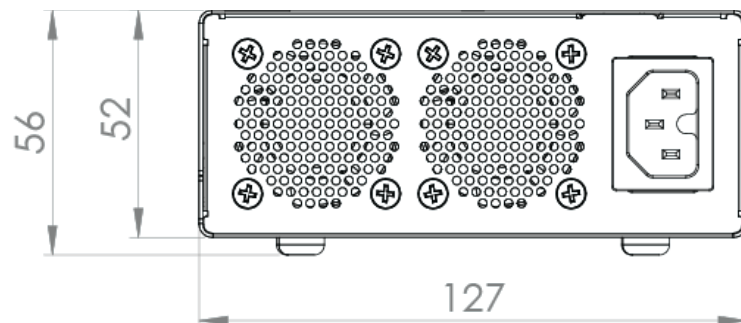
The PS1000-1 has been engineered to address the power delivery challenges of industrial computing applications. Delivering up to 1000W of DC power at 48V, the PS1000-1 helps you take full advantage of today's power hungry GPUs and accelerators.

PLUG & PLAY DESIGN

The PS1000-1 gives you a plug & play option to provide your industrial computer the power you need using a standard wall outlet. The power supply can rest on a flat surface using rubber feet, wall mount with included brackets, and even DIN mount inside electrical enclosures.

TESTED FOR TOUGH ENVIRONMENTS

The power supply has been tested for Railway EMC Immunity EN 50121-3-2, Medical Immunity 60601-1-2, and Maritime IEC 60945. In addition, the PS1000-1 has passed shock testing for IEC 60068-2-27 as well as MIL-STD-810G Method 516.6. The product carries a UL LISTED safety mark as a stand alone approved device up to 70°C, with no conditions of acceptability.



US Office

Phone: +1 802 861 2300 | Email: info@onlogic.com | www.onlogic.com

EU Office

Phone: +31 088 5200 700 | Email: info@onlogic.eu | www.onlogic.com

Power Input	
Voltage	100-240V (L, N, Gnd)
Frequency	47Hz - 63Hz
Input Current	<12 Amps at 115Vac, <6 Amps at 230Vac
Power Efficiency	230Vac at 1000W output >90%
AC Inlet	IEC 60320 C16

Power Output	
Wattage	1000W (@50C and linear derateto 50% at 70C)
Voltage	+48V
Max Load	20.83 Amps

Mechanical & Weight	
Dimensions (WxHxD)	200 x 127 x 52 mm (7.87 x 5 x 2.04")
Weight	3.5 kgs (7.7 lbs)
DC Connector	Molex 39-01-2085

Environmental Specifications & EMC Immunity	
Operating Temperature	-20 ~ 70C, Humidity: 10%-90% non-condensing
Storage Temperature	-40 ~ 80C, Humidity: 5%-95% non-condensing
Shock / Vibration	Shock: IEC 60068-2-27 (30G @ 18ms / 50G @ 11ms half sine) MIL-STD-810G Method 514.6 (40G @ 11ms sawtooth) Vibration: IEC 60068-2-64 / MIL-STD-810G Method 514.6 (15 hours @ 5-500 Hz up to 10Grms)
Protections	Overvoltage, overcurrent, over temperature, short protection
EMC Immunity Protections	EN 55035, EN 50121-3-2, IEC 60601-1-2, EN 55011 (20V/m RF, 2kV surge, 30A/m magnetic, 15kV ESD, 1kV EFT, 10V conducted immunity)

Certifications and Countries	
Certifications	FCC Class A** commercial use, CE Class A, cULus, CB Scheme, UKCA, RCM **Not for home use**
Countries	US/CA/EU/UKCA/AUS & NZ/Taiwan/China/Japan/India other countries upon request
Energy Efficiency	>90% DOE Level VI exempt, MEPS & GEMS exempt as industrial power

Other	
Mounting Options	Wall, DIN rail, Table top
Fan Type	Ball Bearing

US Office

Phone: +1 802 861 2300 | Email: info@onlogic.com | www.onlogic.com

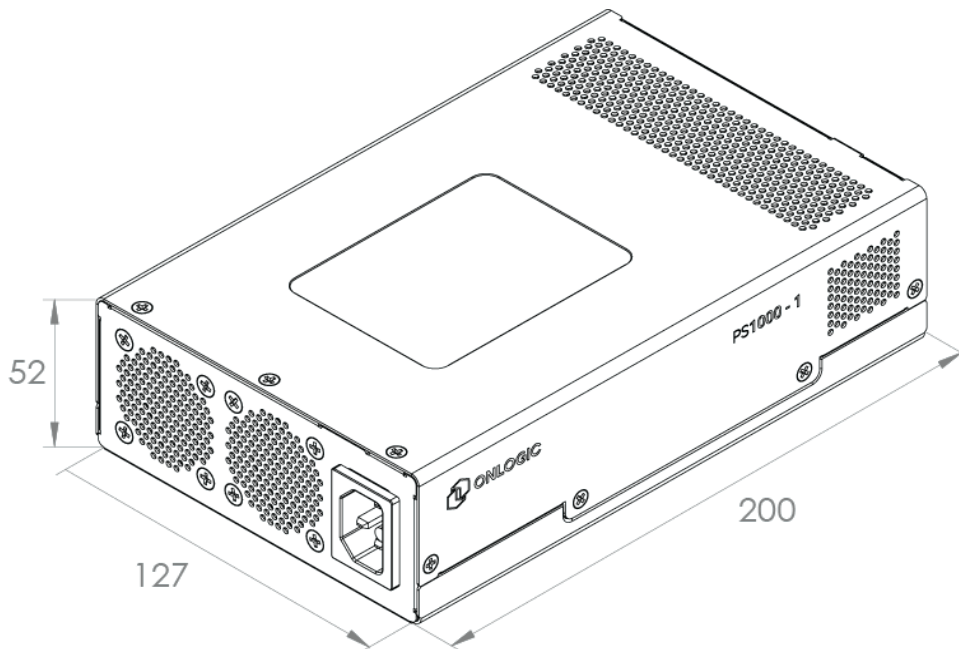
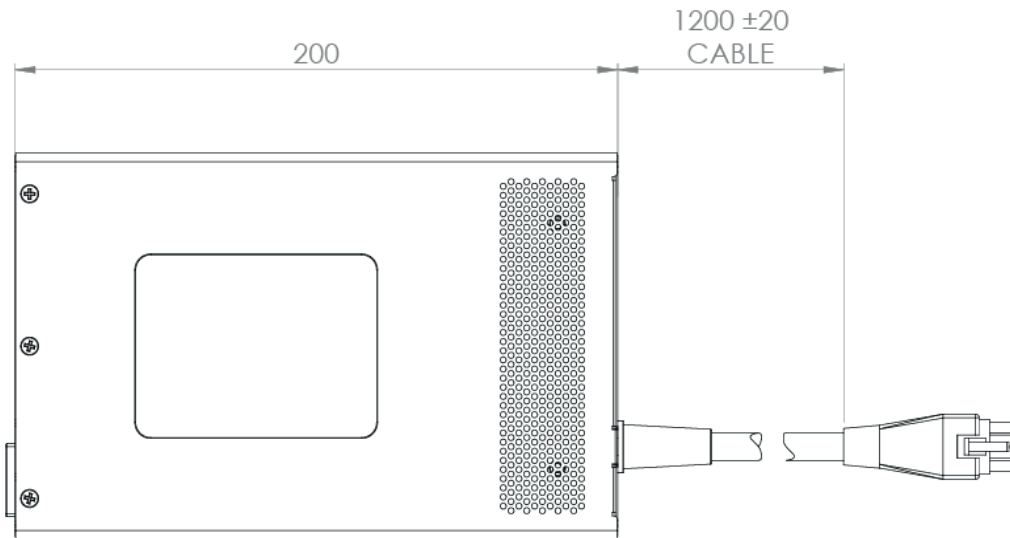
EU Office

Phone: +31 088 5200 700 | Email: info@onlogic.eu | www.onlogic.com

PS1000-1 1000W Power Supply

1000W, 48V, 20.8A, Industrial Power Supply

All measurements in mm



US Office

Phone: +1 802 861 2300 | Email: info@onlogic.com | www.onlogic.com

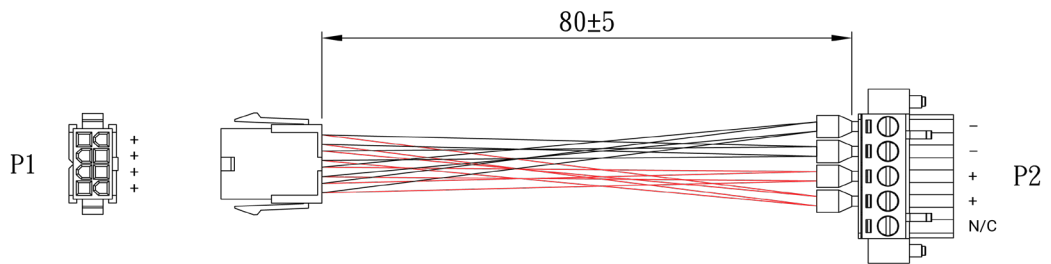
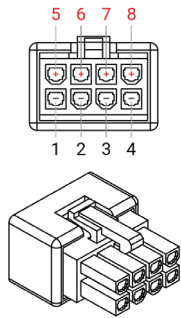
EU Office

Phone: +31 088 5200 700 | Email: info@onlogic.eu | www.onlogic.com

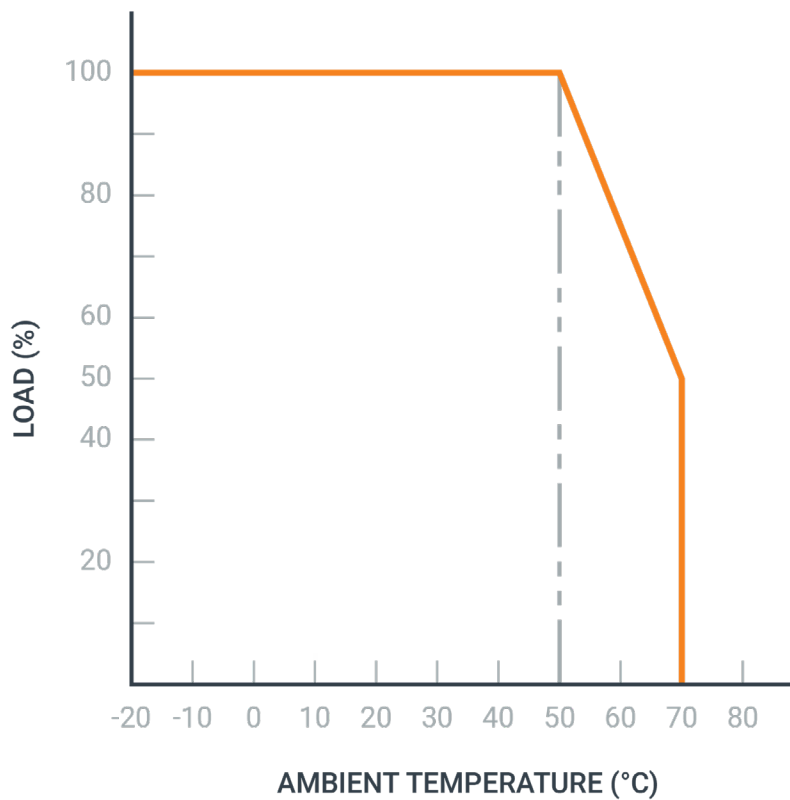
PS1000-1 1000W Power Supply

1000W, 48V, 20.8A, Industrial Power Supply

All measurements in mm



Derating Curve



US Office

Phone: +1 802 861 2300 | Email: info@onlogic.com | www.onlogic.com

EU Office

Phone: +31 088 5200 700 | Email: info@onlogic.eu | www.onlogic.com