

Our Smallest Fanless PC.

Ultra-reliable and feature rich, the CL200 Series combines the ease of x86 architecture with our Hardshell™ Fanless Technology in an Ultra Small Form Factor.

logicsupply.com/cl200/



IoT Ready (4G)

Ready for the Industrial IoT edge, the CL200 Series is configurable with 4G LTE capability or Wi-Fi and Bluetooth - all in one ultra-small device.

Sealed, Fanless Design

Hardshell Fanless Technology seals components in a durable, ventless enclosure that cools and protects the system. Measuring at just 34 mm x 115 mm x 82 mm, the CL200 Series installs virtually anywhere.

x86 Architecture

The CL200 Series makes development easy and integration seamless, thanks to its x86 architecture. Backed by a stable Linux or Windows 10 OS, the CL200 Series lets you focus on optimizing your application.



US Office

Phone: +1 802 861 2300
Email: info@logicsupply.com
www.logicsupply.com

EU Office

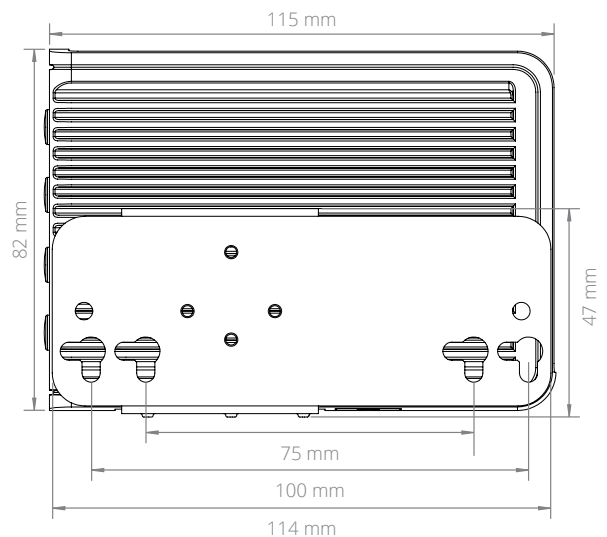
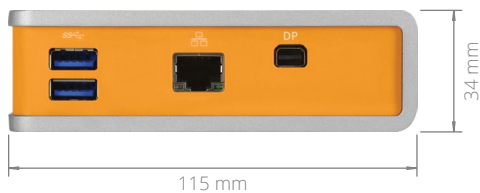
Phone: +31 85 2733760
Email: info@logicsupply.eu
www.logicsupply.com

Specifications

Front I/O	2 USB 3.0 ports 1 mini-DisplayPort™ 1 Gb LAN port	LAN Controller	Realtek RTL8111G
Rear I/O	1 MicroSD Card slot 1 Power Button 1 Power Indicator LED 1 COM port (RS-232) 1 USB 2.0 port 1 DC input jack (12 V)	Input Voltage	12 V
Processor	Intel Celeron® N3350	Power Input	DC jack
Processor Speed	1.10 GHz 2.40 GHz (Burst Frequency)	Operating Temp. Range	0 ~ 40°C
Processor Generation	Apollo Lake	Dimensions (WxHxD)	34 mm x 115 mm x 82 mm
Processor Cores	2	Case Material	Cast Aluminum Steel
Graphics/GPU	Intel® HD Graphics 500	Mounting Options	DIN-mount VESA-mount Wall-mount
Memory Type	LPDDR4	Regulatory Information	2002/96/EC (WEEE Directive) 2011/65/EU (RoHS 2 Directive) Additional Safety and EMC certifications pending CE EN 55024 EN 55032 EN 60950-1 EN 62368-1 FCC 47 CFR Part 15 IP50
Memory Capacity	2 GB		
Memory Speed	2133 MHz		

Dimensional Drawings

All measurements in mm



logicsupply.com/cl200g-10/



US Office

Phone: +1 802 861 2300
Email: info@logicsupply.com
www.logicsupply.com

EU Office

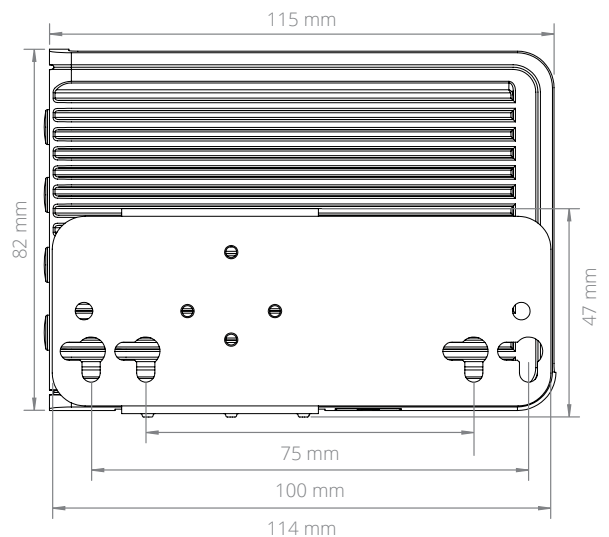
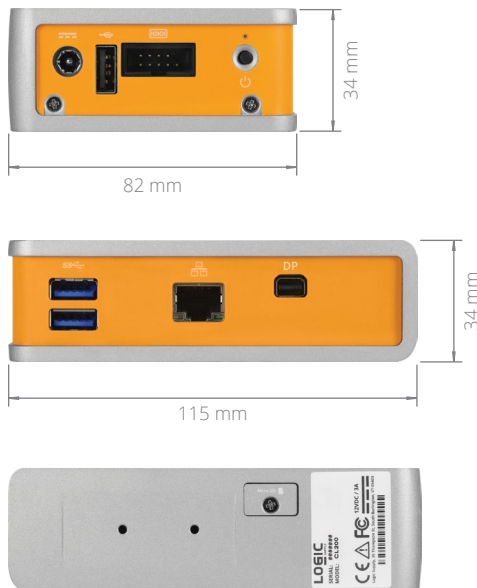
Phone: +31 85 2733760
Email: info@logicsupply.eu
www.logicsupply.com

Specifications

Front I/O	2 USB 3.0 ports 1 mini-DisplayPort™ 1 Gb LAN port	Input Voltage	12 V
Rear I/O	1 MicroSD Card slot 1 Power Button 1 Power Indicator LED 1 COM port (RS-232) 1 USB 2.0 port 1 DC input jack (12 V)	Power Input	DC jack
Processor	Intel Celeron® N3350	Operating Temp. Range	0 ~ 40°C
Processor Speed	1.10 GHz 2.40 GHz (Burst Frequency)	Dimensions (WxHxD)	34 mm x 115 mm x 82 mm
Processor Generation	Apollo Lake	Case Material	Cast Aluminum Steel
Processor Cores	2	Mounting Options	DIN-mount VESA-mount Wall-mount
Graphics/GPU	Intel® HD Graphics 500	Regulatory Information	2002/96/EC (WEEE Directive) 2011/65/EU (RoHS 2 Directive) Additional Safety and EMC certifications pending CB scheme CE EN 55024 EN 55032 EN 62368-1 FCC 47 CFR Part 15 IEC 62368-1 IP50 UL Listed
Memory Type	LPDDR4		
Memory Capacity	1 GB		
Memory Speed	2133 MHz		
LAN Controller	Realtek RTL8111G		

Dimensional Drawings

All measurements in mm



logicsupply.com/cl200g-11/



US Office

Phone: +1 802 861 2300
Email: info@logicsupply.com
www.logicsupply.com

EU Office

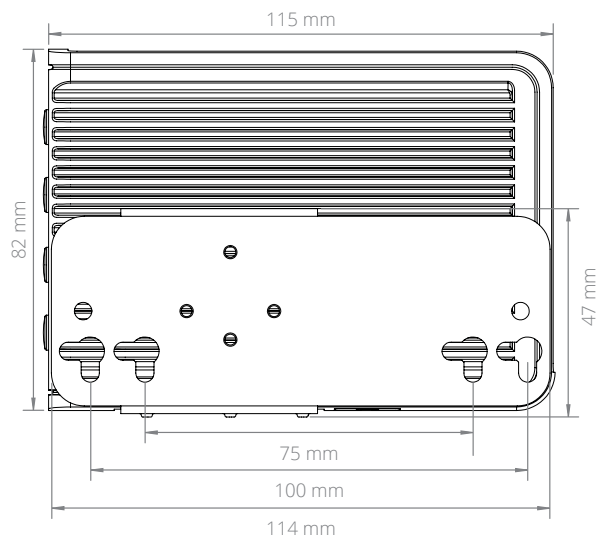
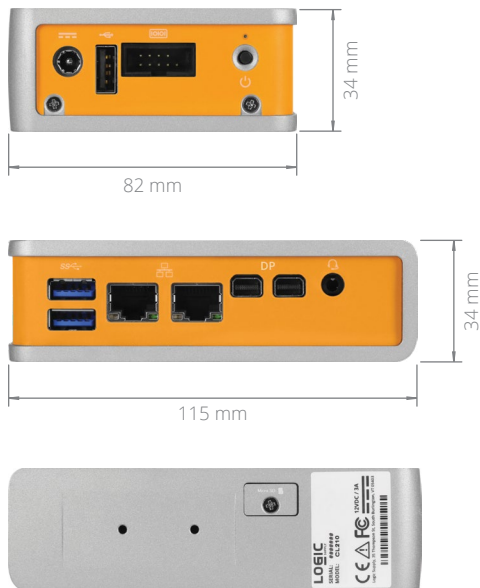
Phone: +31 85 2733760
Email: info@logicsupply.eu
www.logicsupply.com

Specifications

Front I/O	2 USB 3.0 ports 2 mini-DisplayPorts™ 2 Gb LAN ports 1 Audio Jack (Line out; Mic in)	LAN Controller	Realtek RTL8111G
Rear I/O	1 MicroSD Card slot 1 Power Button 1 Power Indicator LED 1 COM port (RS-232) 1 USB 2.0 port 1 DC input jack (12 V)	Input Voltage	12 V
Processor	Intel Celeron® N3350	Power Input	DC jack
Processor Speed	1.10 GHz 2.40 GHz (Burst Frequency)	Operating Temp. Range	0 ~ 40°C
Processor Generation	Apollo Lake	Dimensions (WxHxD)	34 mm x 115 mm x 82 mm
Processor Cores	2	Case Material	Cast Aluminum Steel
Graphics/GPU	Intel® HD Graphics 500	Mounting Options	DIN-mount VESA-mount Wall-mount
Memory Type	LPDDR4	Regulatory Information	2002/96/EC (WEEE Directive) 2011/65/EU (RoHS 2 Directive) Additional Safety and EMC certifications pending CE EN 55024 EN 55032 EN 60950-1 EN 62368-1 FCC 47 CFR Part 15 IP50
Memory Capacity	4 GB		
Memory Speed	2133 MHz		

Dimensional Drawings

All measurements in mm



logicsupply.com/cl210g-10/



US Office

Phone: +1 802 861 2300
Email: info@logicsupply.com
www.logicsupply.com

EU Office

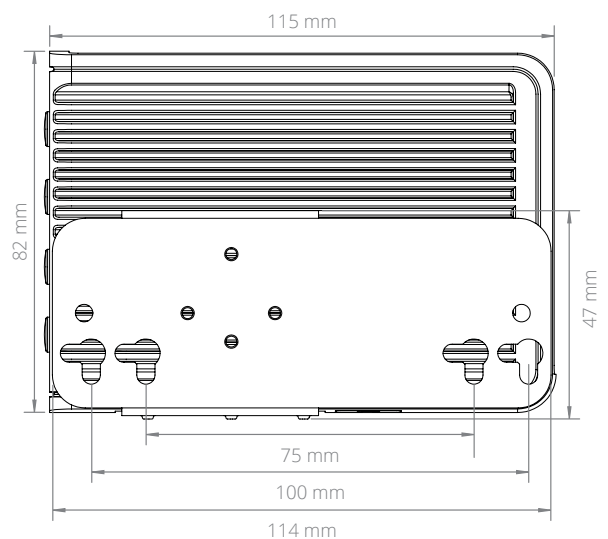
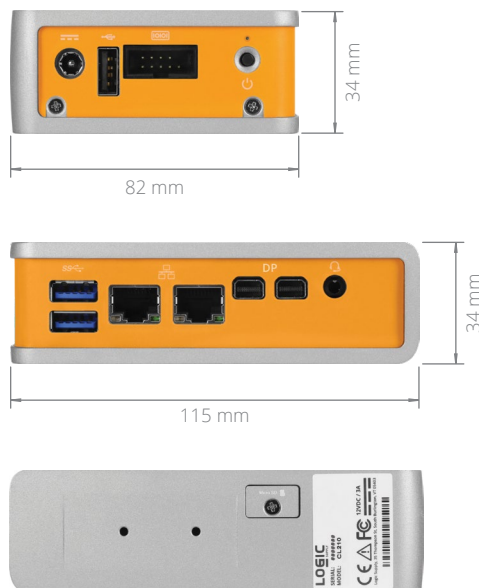
Phone: +31 85 2733760
Email: info@logicsupply.eu
www.logicsupply.com

Specifications

Front I/O	2 USB 3.0 ports 2 mini-DisplayPorts™ 2 Gb LAN ports 1 Audio Jack (Line out; Mic in)	LAN Controller	Realtek RTL8111G
Rear I/O	1 MicroSD Card slot 1 Power Button 1 Power Indicator LED 1 COM port (RS-232) 1 USB 2.0 port 1 DC input jack (12 V)	Input Voltage	12 V
Processor	Intel Celeron® N4200	Power Input	DC jack
Processor Speed	1.10 GHz 2.50 GHz (Burst Frequency)	Operating Temp. Range	0 ~ 40°C
Processor Generation	Apollo Lake	Dimensions (WxHxD)	34 mm x 115 mm x 82 mm
Processor Cores	4	Case Material	Cast Aluminum
Graphics/GPU	Intel® HD Graphics 500	Mounting Options	DIN-mount VESA-mount Wall-mount
Memory Type	LPDDR4	Regulatory Information	2002/96/EC (WEEE Directive) 2011/65/EU (RoHS 2 Directive) Additional Safety and EMC certifications pending CB scheme CE EN 55024 EN 55032 EN 62368-1 FCC 47 CFR Part 15 IEC 62368-1 IP50 UL Listed
Memory Capacity	4 GB		
Memory Speed	2133 MHz		

Dimensional Drawings

All measurements in mm



logicsupply.com/cl210g-11/



US Office

Phone: +1 802 861 2300
Email: info@logicsupply.com
www.logicsupply.com

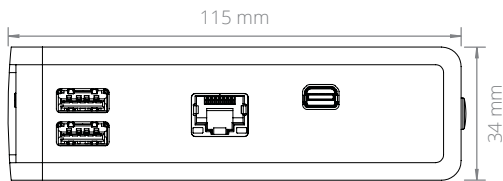
EU Office

Phone: +31 85 2733760
Email: info@logicsupply.eu
www.logicsupply.com

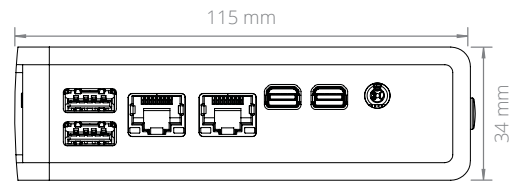
CL200 Dimensional Drawings

Industrial USFF Edge Device

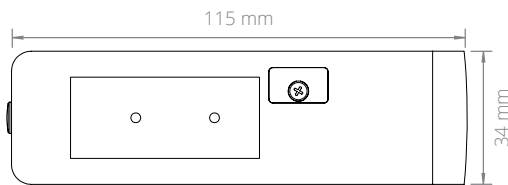
All measurements in mm



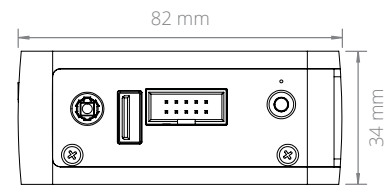
CL200G-10 FRONT



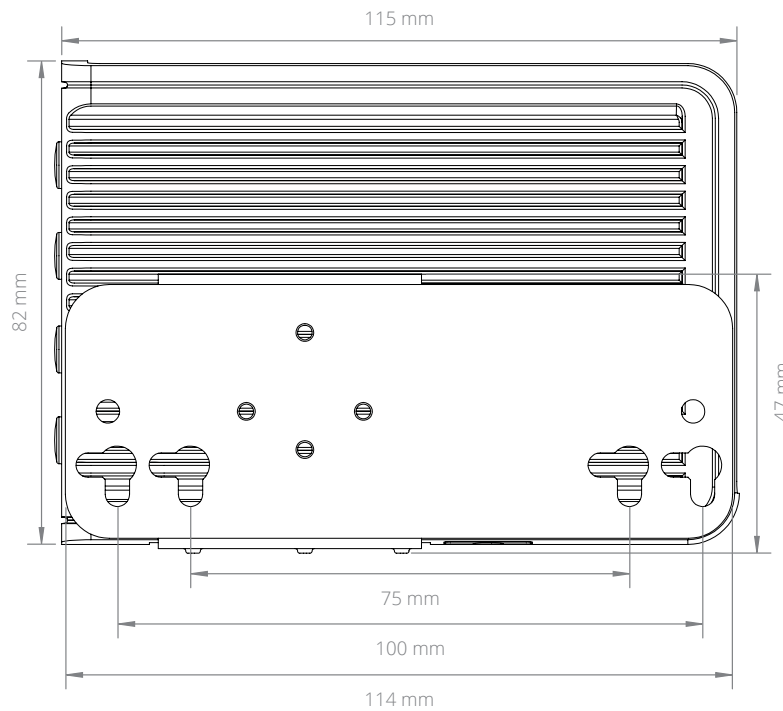
CL210G-10 FRONT



BACK



SIDE



TOP

