



A Versatile Mini-ITX PC.

A feature-rich system in a compact, durable enclosure, the MC500 combines the popular Mini-ITX form factor with a carefully engineered, actively cooled chassis.

logicsupply.com/mc500-series/



Built for Industrial Use

With a range of Intel® processor options, and long lifecycle components, the MC500 Series is both flexible and efficient.



Right Size for the Job

Small form factor doesn't have to mean limited capabilities. The MC500 combines the power of a traditional PC and the flexibility of a compact, all steel chassis.

Interface With Anything

The MC500 Series was built with industrial applications in mind, offering a wide range of modern and legacy connectivity.

US Office

Phone: +1 802 861 2300
Email: info@logicsupply.com
www.logicsupply.com

EU Office

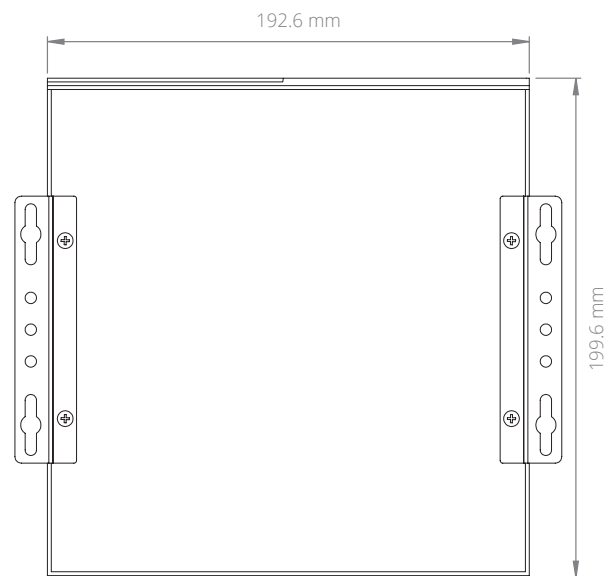
Phone: +31 088 5200 700
Email: info@logicsupply.eu
www.logicsupply.com

Specifications

Processor	Intel Celeron Intel Pentium	Storage Options	1 M.2 M Key 2242/2260/2280 slot 1 2.5" HDD/SSD
Processor Speed	1.1 GHz	LAN Controller	Realtek RTL8111G
Processor Generation	Apollo Lake	Input Voltage	12 VDC / 19~24 VDC
Processor Cores	2 ~ 4	Power Input	DC jack
Graphics / GPU	Intel HD Graphics 500	Operating Temp. Range	0 ~ 50°C
Memory	DDR3L SO-DIMM (non-ECC)	Dimensions (WxHxD)	192.6 x 59.3 x 199.6 mm
Rear I/O	1 VGA port 1 HDMI port 2 Gb LAN ports 4 USB 3.0 ports 3 COM ports 2 Audio Jacks (Mic-in; Line-out) 2 PS/2 ports	Mounting Options	DIN-mount VESA-mount Wall-mount
Front I/O	2 USB 2.0 ports Power Button	Regulatory Information	2011/65/EU (RoHS 2 Directive) CE EN 55022 EN 55024 EN 55032 EN 60950-1 EN 62368-1 FCC 47 CFR Part 15
Expansion Options	1 M.2 E Key 2230 slot 1 PCIe Mini Card slot (full/half height)		

Dimensional Drawings

All measurements in mm



logicsupply.com/mc510-10/



US Office

Phone: +1 802 861 2300
Email: info@logicsupply.com
www.logicsupply.com

EU Office

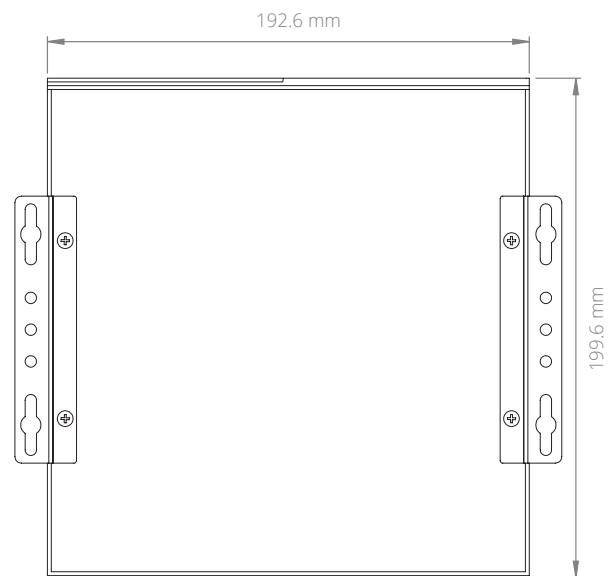
Phone: +31 088 5200 700
Email: info@logicsupply.eu
www.logicsupply.com

Specifications

Processor	Intel Celeron Intel Pentium Intel Core i3/i5/i7	Storage Options	1 SATA M.2 M Key 2242/2260/2280 slot
Processor Speed	2.1 ~ 3.1 GHz	LAN Controller	Intel I210 GbE Intel I219V
Processor Generation	Coffee Lake	Input Voltage	12 VDC / 19~28 VDC
Processor Cores	2 ~ 6	Power Input	4-pin DC jack
Graphics / GPU	Intel UHD Graphics 610 Intel UHD Graphics 630	Operating Temp. Range	0 ~ 50°C
Memory	DDR4 SO-DIMM (non-ECC) Up to 32 GB	Dimensions (WxHxD)	192.6 x 59.3 x 199.6 mm
Rear I/O	2 DisplayPort Connector 2 Gb LAN ports 4 USB 3.0 ports 2 Audio Jacks (Mic-in; Line-out)	Mounting Options	DIN-mount VESA-mount Wall-mount
Front I/O	2 USB ports Power Button	Regulatory Information	2011/65/EU (RoHS 2 Directive) CE EN 55022 EN 55024 EN 55032 EN 60950-1 FCC 47 CFR Part 15
Expansion Options	1 M.2 2230 slot 1 PCIe Mini Card slot (full/half height)		

Dimensional Drawings

All measurements in mm



logicsupply.com/mc510-50/



US Office

Phone: +1 802 861 2300
Email: info@logicsupply.com
www.logicsupply.com

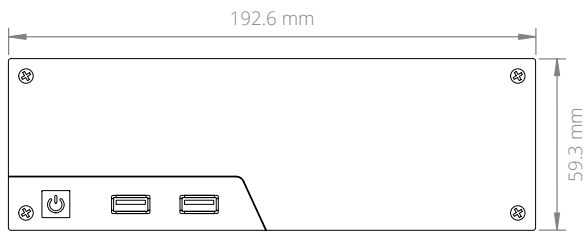
EU Office

Phone: +31 088 5200 700
Email: info@logicsupply.eu
www.logicsupply.com

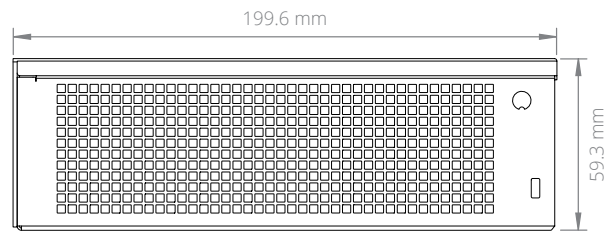
MC510 Dimensional Drawings

Compact Mini-ITX Case

All measurements in mm



FRONT



SIDE

